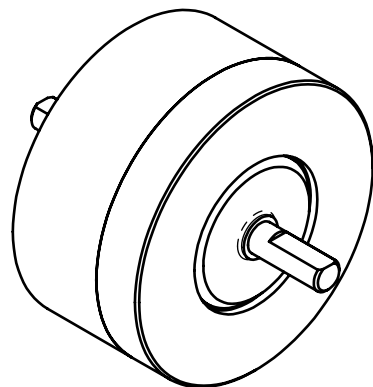
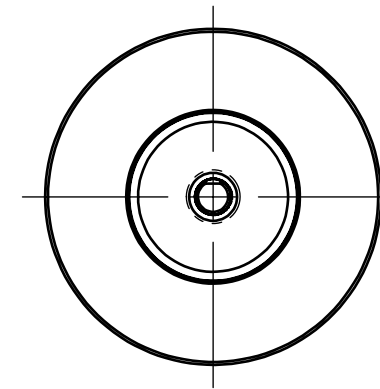
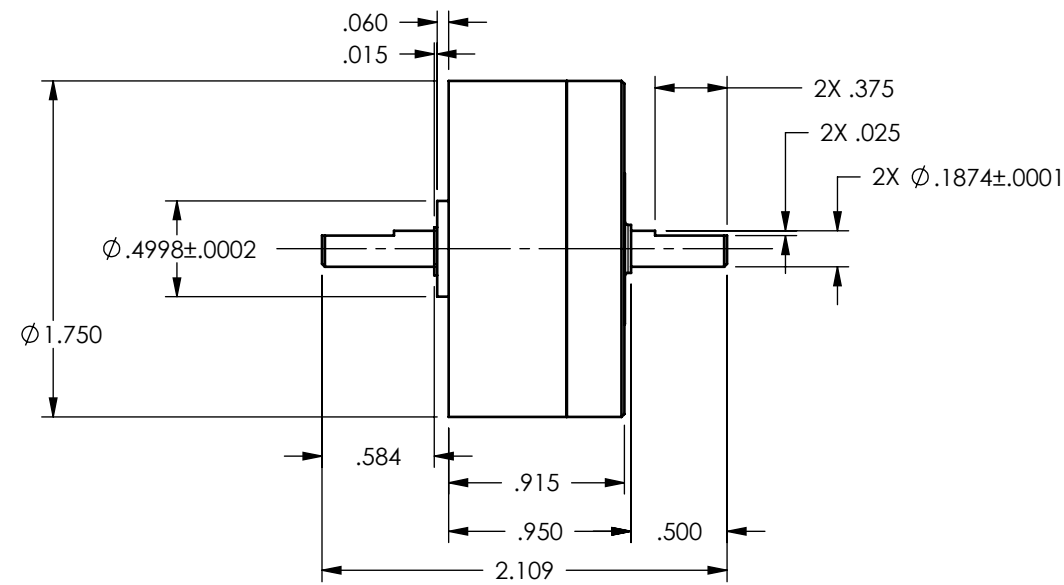
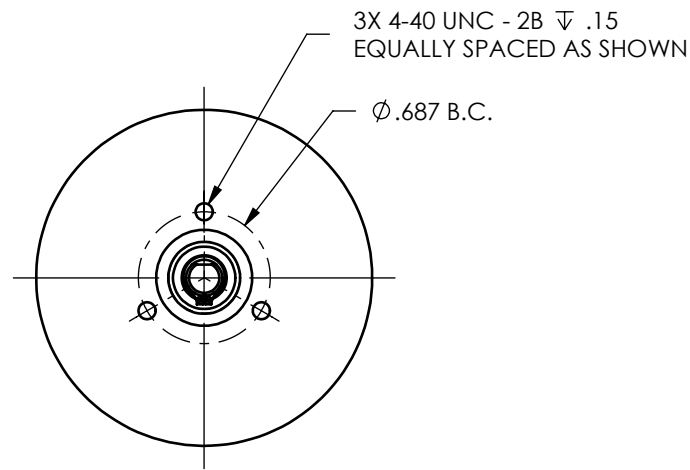

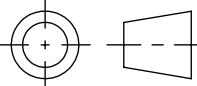


SOLID MODEL AVAILABLE

MODEL	STOCK CODE	MINIMUM TORQUE (oz in)	MAXIMUM SPEED (RPM)	KINETIC POWER RATINGS		EXTERNAL INERTIA (lb in s ²)	ANGULAR ACCELERATION (rad/s ²)
				5 MINUTE (watts)	CONTINUOUS (watts)		
HPM-8	003567	8	10,140	60	15	3.3×10^{-5}	15,200



3 DIMENSIONAL VIEW
SCALE 1 : 1

MATERIAL:	-	DESIGN	-	-	 MAGTROL INC. 70 GARDENVILLE PKWY, W. BUFFALO, NEW YORK 14224-1322
FINISH:	-	DRAWN	AJC	02/09/10	
THIRD ANGLE PROJECTION		CHECKED	JEF	05/03/10	TITLE PERMANENT MAGNET BRAKE
THIS DRAWING AND SPECIFICATION CONTAINS PROPRIETARY INFORMATION TO MAGTROL INC. ANY DISCLOSURE OR REPRODUCTION OF THIS DOCUMENT WITHOUT WRITTEN AUTHORIZATION FROM MAGTROL INC. IS EXPRESSLY PROHIBITED	UNLESS OTHERWISE SPECIFIED: DIMENSIONS ARE IN INCHES, DIAMETERS CONCENTRIC: .003 TIR, FACES PERPENDICULAR: .003 INTERPRETATION PER ASME Y14.5M-1994 REMOVE ALL BURRS AND BREAK SHARP EDGES .005/.010 X 45°. ALL INSIDE CORNERS TO BE .02 R MAX. TOLERANCES: .XX ± .01 FRAC. ± 1/64" .XXX ± .005 ANG. ± 1° SURFACE FINISH 125 RMS MAX. U.O.S.	DWG. NO.	HPM-8		REV -
	SIZE B	SCALE 1:1	SHEET # 2 OF 2		