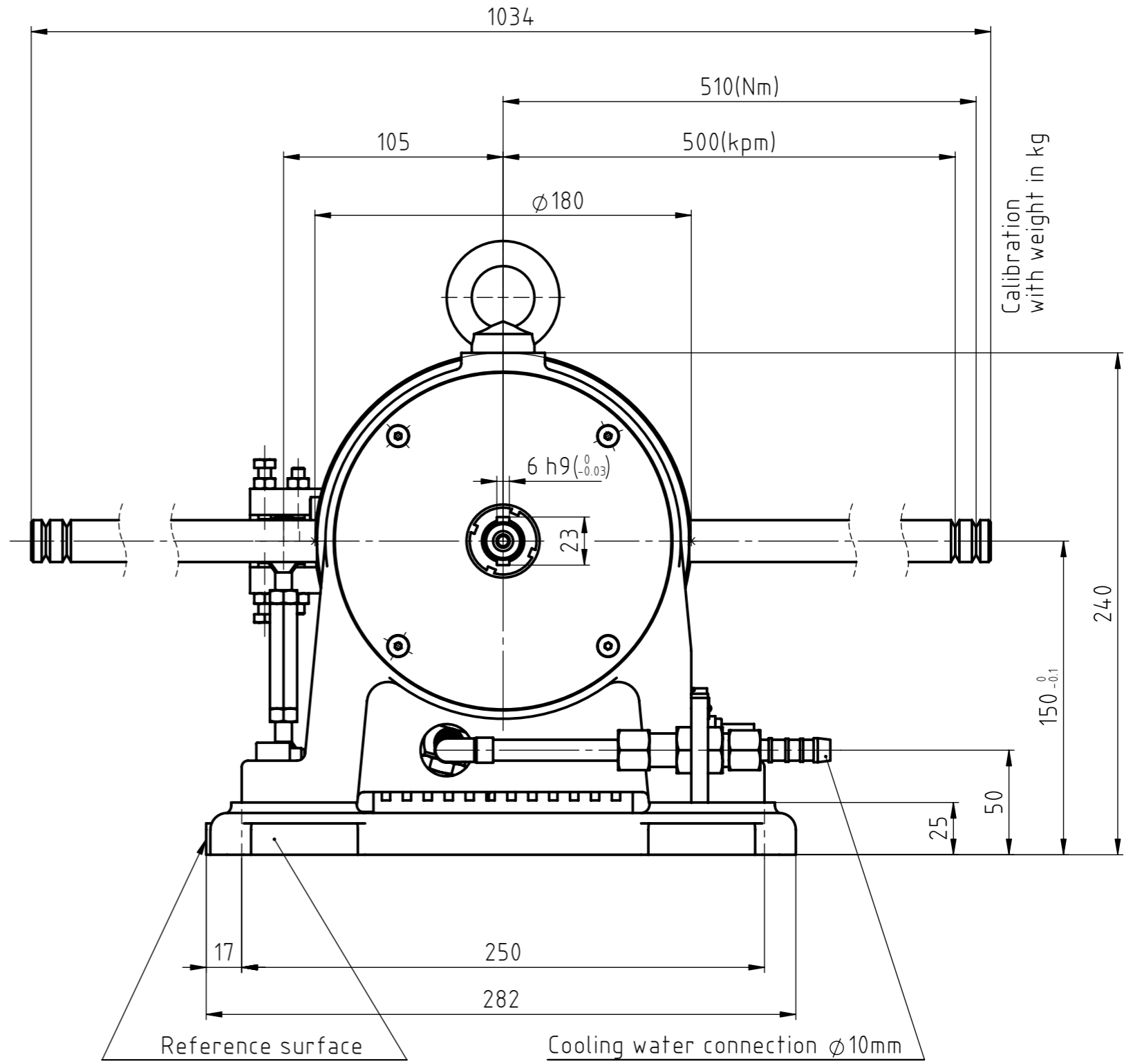
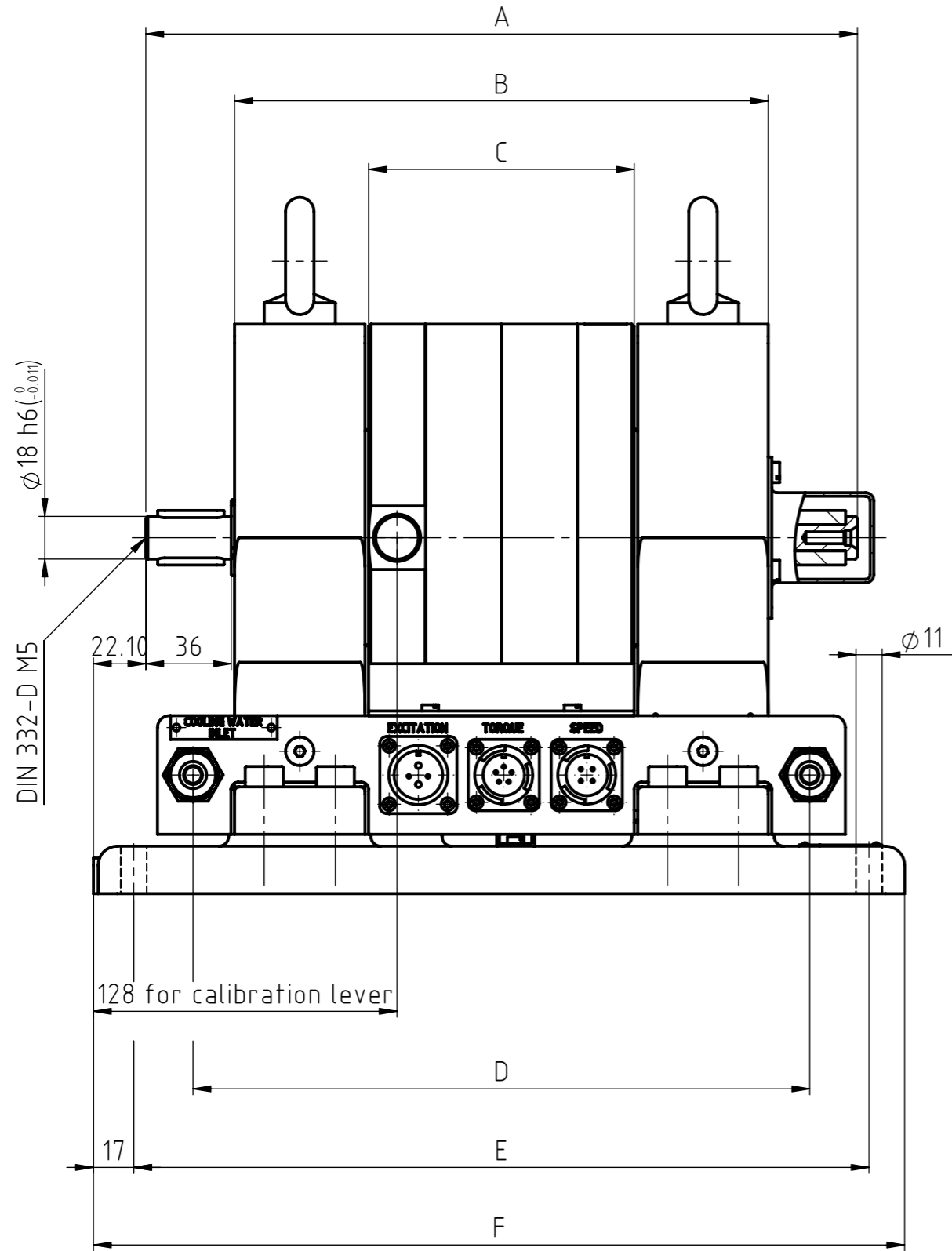


THE INFORMATION DISCLOSED HEREIN WAS ORIGINATED BY AND IS THE PROPERTY OF MAGTROL SA. MAGTROL SA RESERVES ALL PATENT PROPRIETARY, DESIGN, USE, SALE, MANUFACTURING AND REPRODUCTION RIGHTS THERETO.



Type	A	B	C	D	E	F
1WB65 / 1PB65	300	225	112	260	310	342
2WB65 / 2PB65	370	295	182	330	380	412

6						
5						
4						
3						
2						
1	03.12.99	99269	A.Rappo	N.Buri	New drawing in CAD	
Rev.	Date	PM	Drawn	Appr.	Repl. by :	
					Repl. for:	
Tolerances: ± mm to 50mm, ± mm over 50mm						
Material:					Scale	
Finish:					1:2.5	
Dynamometers 1-2WB65 1-2PB65					DRAWING N°	
					312-101-000V101	



Drawn	26.01.82	A.Rappo
Checked		
Approved		