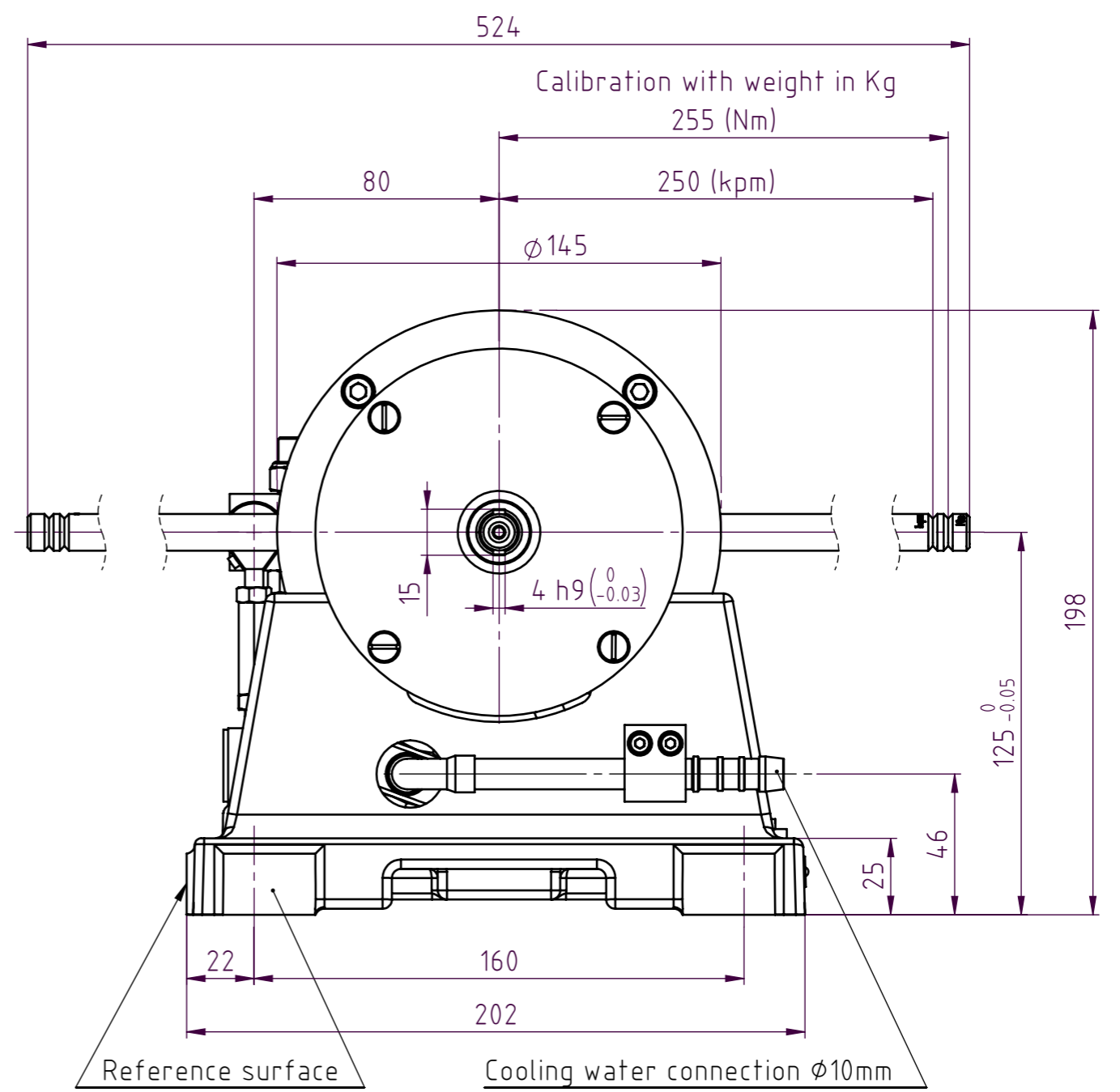
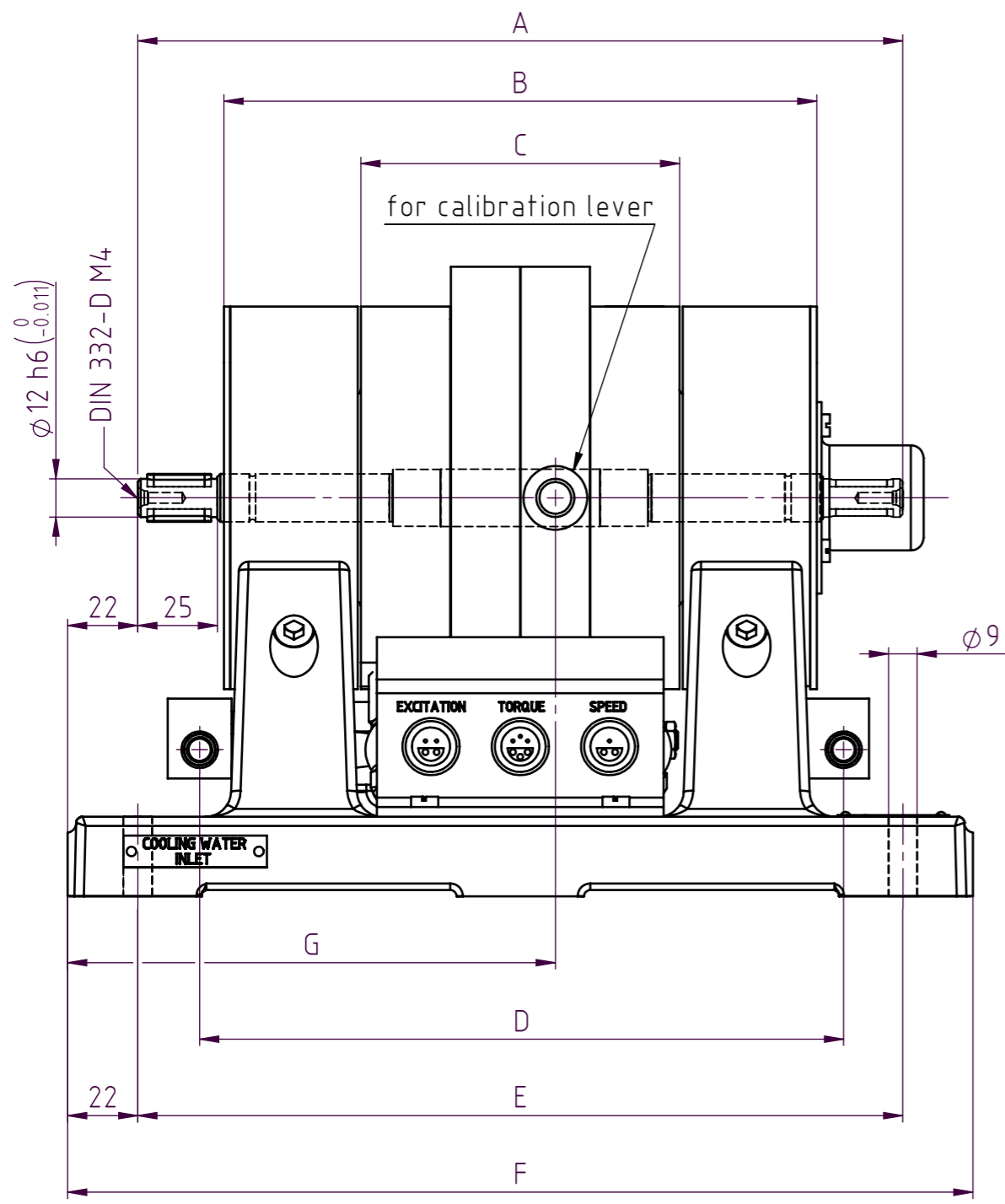
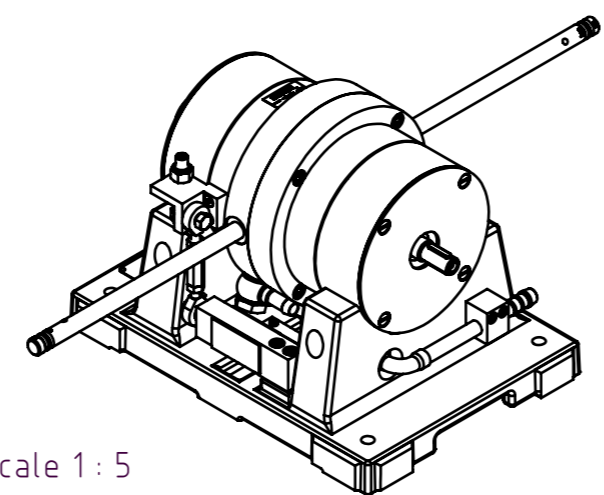


THE INFORMATION DISCLOSED HEREIN WAS ORIGINATED BY AND IS THE PROPERTY OF MAGTROL SA. MAGTROL SA RESERVES ALL PATENT PROPRIETARY, DESIGN, USE, SALE, MANUFACTURING AND REPRODUCTION RIGHTS THERETO.



Type	A	B	C	D	E	F	G
1WB43 / 1PB43	240	186	100	202	240	284	153
2WB43 / 2PB43	290	236	150	252	290	334	167



Scale 1:5

6									
5									
4									
3									
2									
1									
Rev.	Date	PM	Drawn	Appr.	Repl. by :				
					Repl. for:				
Tolerances: ± mm to 50mm, ± mm over 50mm									
Material:						Scale 1:2			
Finish:						Drawn 16.11.2001 arap Checked Approved 16.11.2001 nbur			
Dynamometers						DRAWING N°			
						311-101-000V101			
1-2WB43 1-2PB43									