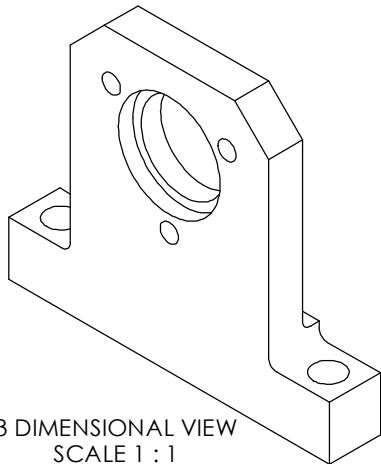
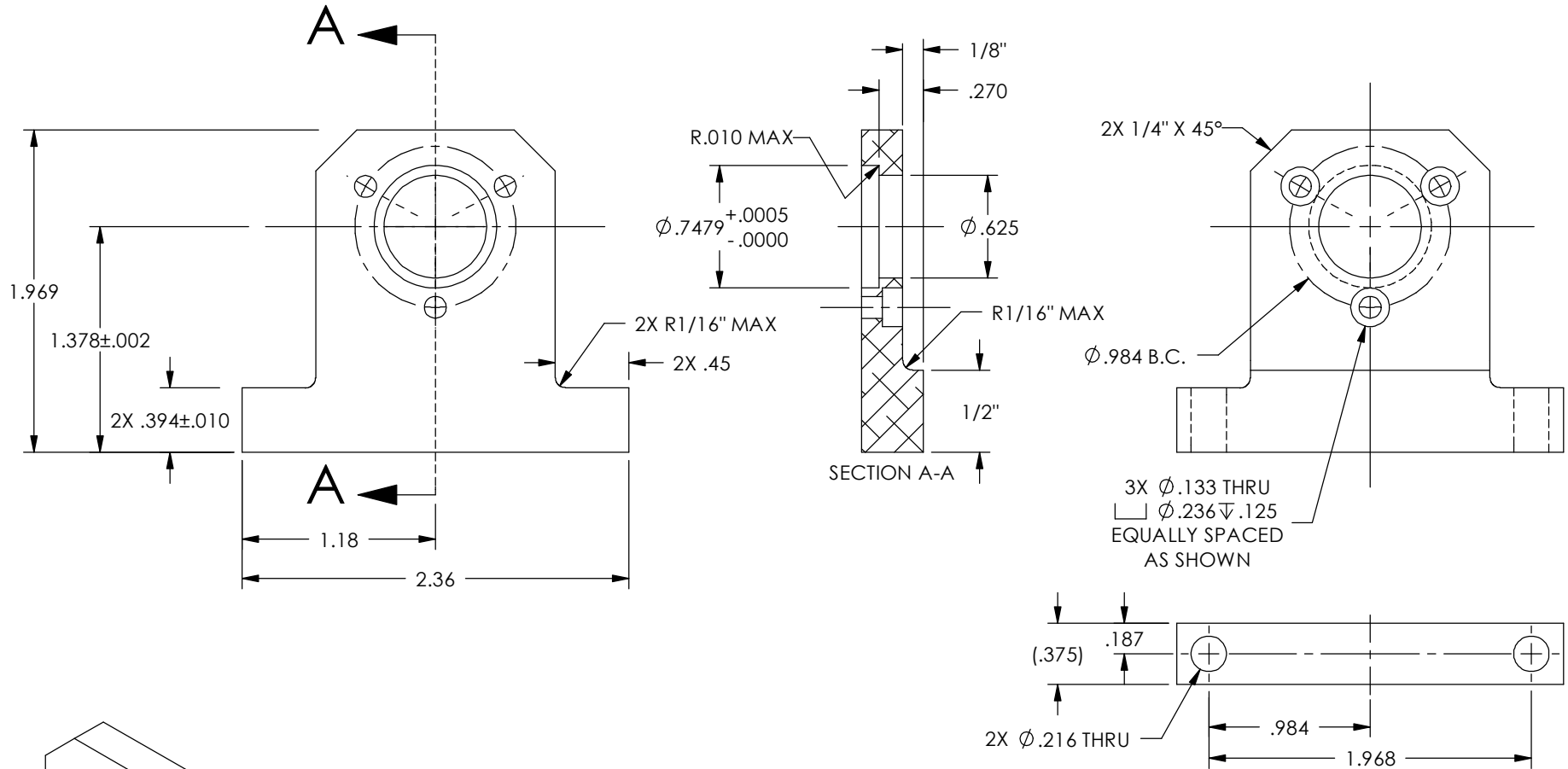

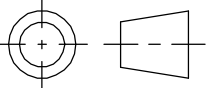


REVISIONS				
LETTER	DATE	BY	ECN	DESCRIPTION



MATERIAL: MIC-6 ALUMINUM	DESIGN	AJC	12/12/06	 MAGTROL INC. 70 GARDENVILLE PKWY, W. BUFFALO, NEW YORK 14224-1322	
	DRAWN	AJC	12/12/06		
FINISH: ANODIZE TYPE II CLEAR	CHECKED	DTW	12/12/06	TITLE PILLOW BLOCK, HCF-16M	
	THIRD ANGLE PROJECTION 			USED ON: HCF-16M SIMILAR TO: 404705, 404724 DWG. NO. 404729	
THIS DRAWING AND SPECIFICATION CONTAINS PROPRIETARY INFORMATION TO MAGTROL INC. ANY DISCLOSURE OR REPRODUCTION OF THIS DOCUMENT WITHOUT WRITTEN AUTHORIZATION FROM MAGTROL INC. IS EXPRESSLY PROHIBITED			UNLESS OTHERWISE SPECIFIED: DIMENSIONS ARE IN INCHES, DIAMETERS CONCENTRIC: .003 TIR, FACES PERPENDICULAR: .003 INTERPRETATION PER ASME Y14.5M-1994 REMOVE ALL BURRS AND BREAK SHARP EDGES .005/.010 X 45°, ALL INSIDE CORNERS TO BE .02 R MAX. TOLERANCES: .XX ± .01 FRAC. ± 1/64" .XXX ± .005 ANG. ± 1° SURFACE FINISH 125 RMS MAX. U.O.S.		
			SIZE A	SCALE 1:1	SHEET # 1 OF 1
			REV -		