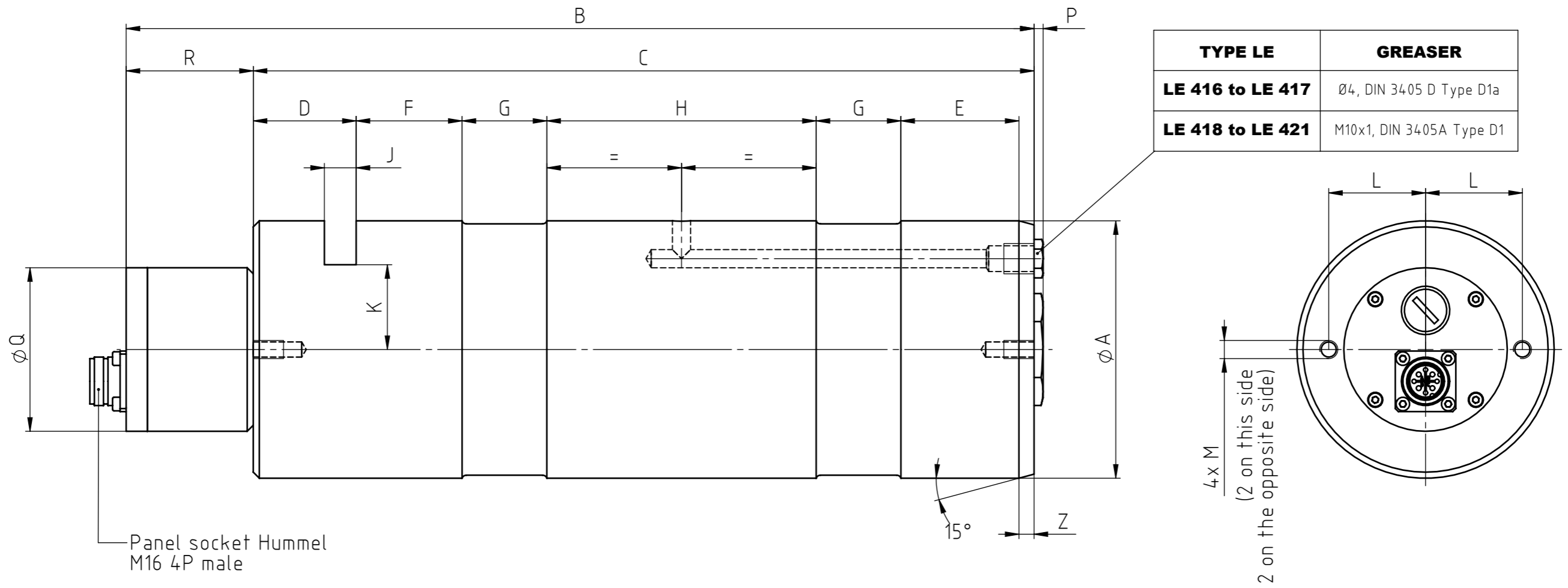
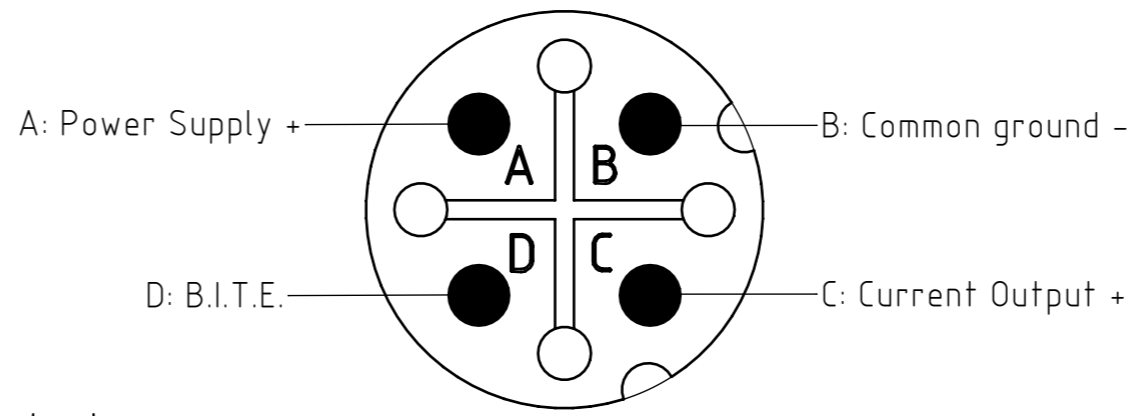


THE INFORMATION DISCLOSED HEREIN WAS ORIGINATED BY AND IS THE PROPERTY OF MAGTROL SA. MAGTROL SA RESERVES ALL PATENT PROPRIETARY, DESIGN, USE, SALE, MANUFACTURING AND REPRODUCTION RIGHTS THERETO.



Panel socket Hummel M16 4P male



Including customer version with the same electrical characteristic but with different dimensions

TYPE LE	ØA h6	B	C	D	E	F	G	H	J	K	L	M	P	ØQ	R	Z
LE 416	50	203	161	32	24	18	18	48	10.5	20	-	-	3	54	42	3
LE 417	65	238	196	32	26	20	25	65	10.5	22.5	-	-				
LE 418	85	300	258	34	39	35	28	89	10.5	28	32	M6				
LE 420	100	389	347	36	61	55	35	120	10.5	36	35	M8				
LE 421	120	389	347	36	61	55	35	120	12.5	40	35	M8				

6																															
5																															
4																															
3																															
2																															
1																															
Rev.	Date	PM	Drawn	Appr.	Repl. by :																										
					Repl. for :																										
Tolerances: ± mm to 50mm, ± mm over 50mm																															
Material: 1.4057																															
Finish: Single channel																															
LOAD MEASURING PIN WITH ELECTRONIC 4-20 mA																															
P/N: 422-4XX-000-101 TYPE: LE 4XX/101																															
<table border="1"> <tr> <td>Scale</td> <td>1:1.5</td> <td>Drawn</td> <td>11.09.2014</td> <td>ajoy</td> </tr> <tr> <td></td> <td></td> <td>Checked</td> <td>11.09.2014</td> <td>ydaf</td> </tr> <tr> <td></td> <td></td> <td>Approved</td> <td>11.09.2014</td> <td>blot</td> </tr> </table>																	Scale	1:1.5	Drawn	11.09.2014	ajoy			Checked	11.09.2014	ydaf			Approved	11.09.2014	blot
Scale	1:1.5	Drawn	11.09.2014	ajoy																											
		Checked	11.09.2014	ydaf																											
		Approved	11.09.2014	blot																											
DRAWING N° 422-410-000V101																															

A B C D