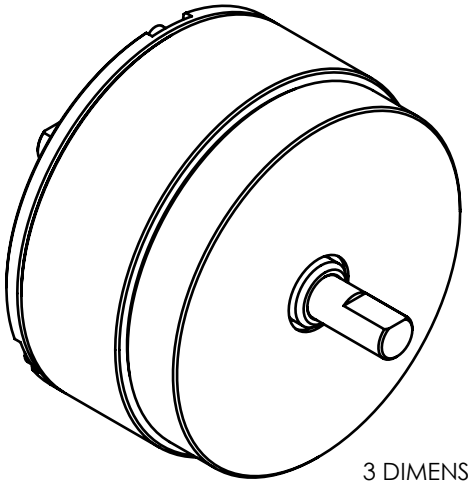
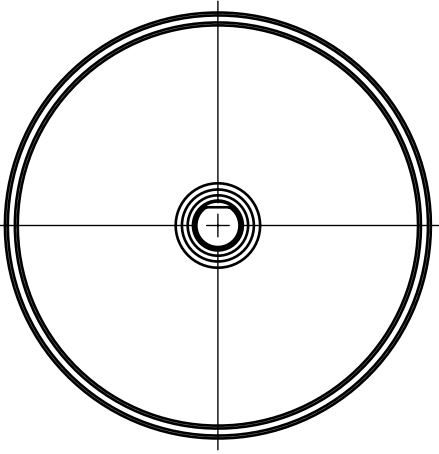
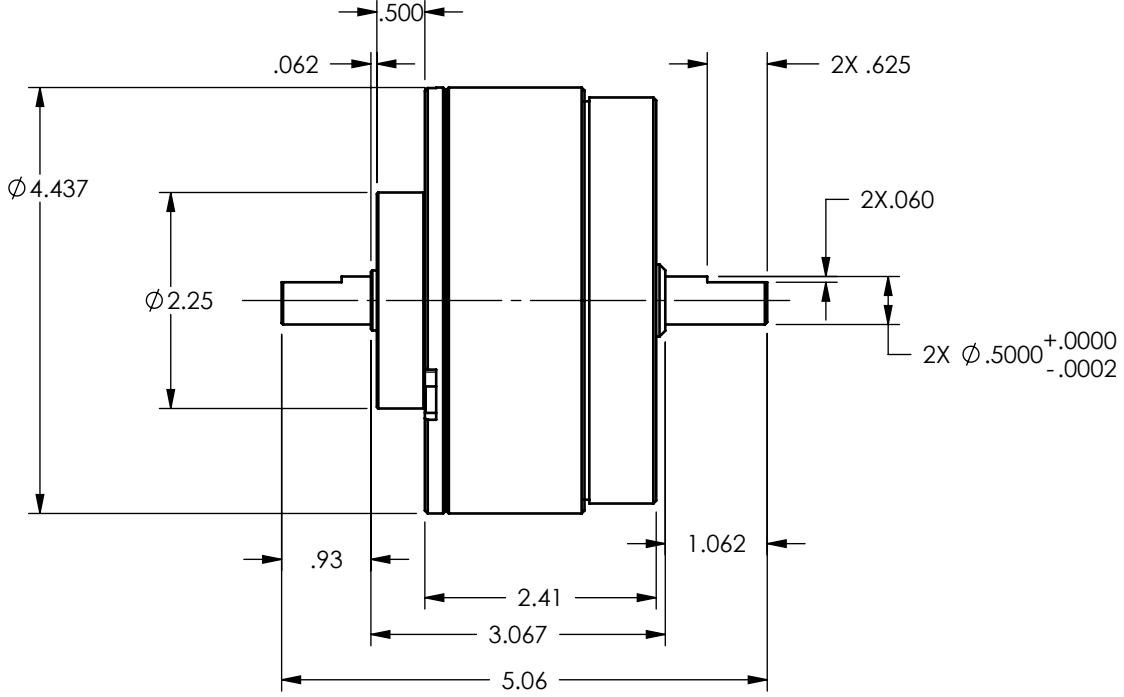
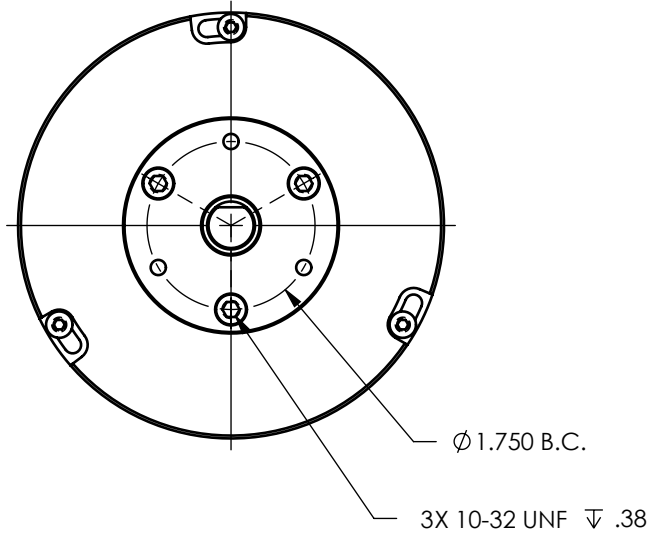



MODEL	STOCK CODE	MINIMUM TORQUE (oz in)	MAXIMUM SPEED (RPM)	KINETIC POWER RATINGS		EXTERNAL INERTIA (lb in s ²)	ANGULAR ACCELERATION (rad/s ²)
				5 MINUTE (watts)	CONTINUOUS (watts)		
HPMC-210	004625	210	2,900	450	110	2.75 X 10 ⁻³	4,770



3 DIMENSIONAL VIEW
SCALE 1 : 2

MATERIAL:	DESIGN	-	-	 MAGTROL INC. 70 GARDENVILLE PKWY, W. BUFFALO, NEW YORK 14224-1322
	DRAWN	AJC	01/15/10	
FINISH:	CHECKED	JEF	01/15/10	TITLE
THIRD ANGLE PROJECTION	UNLESS OTHERWISE SPECIFIED: DIMENSIONS ARE IN INCHES, DIAMETERS CONCENTRIC: .003 TIR, FACES PERPENDICULAR: .003 INTERPRETATION PER ASME Y14.5M-1994 REMOVE ALL BURRS AND BREAK SHARP EDGES .005/.010 X 45°, ALL INSIDE CORNERS TO BE .02 R MAX. TOLERANCES: .XX ± .01 FRAC. ± 1/64" .XXX ± .005 ANG. ± 1° SURFACE FINISH 125 RMS MAX. U.O.S.			PERMANENT MAGNET CLUTCH
THIS DRAWING AND SPECIFICATION CONTAINS PROPRIETARY INFORMATION TO MAGTROL INC. ANY DISCLOSURE OR REPRODUCTION OF THIS DOCUMENT WITHOUT WRITTEN AUTHORIZATION FROM MAGTROL INC. IS EXPRESSLY PROHIBITED	USED ON: - SIMILAR TO: -			REV
	DWG. NO.			HPMC-210
	SIZE	SCALE	SHEET #	
	B	1:2	2 OF 2	