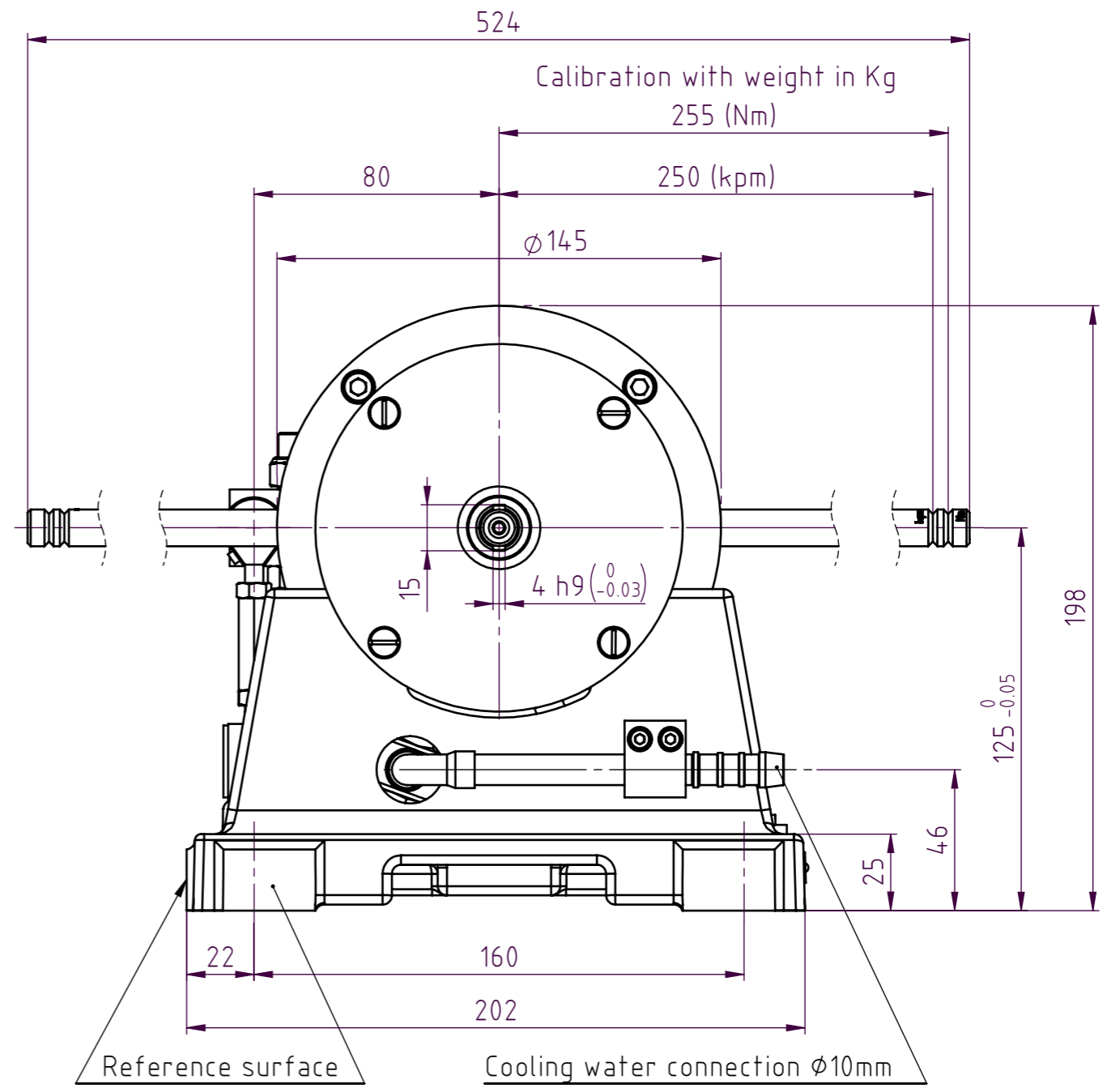
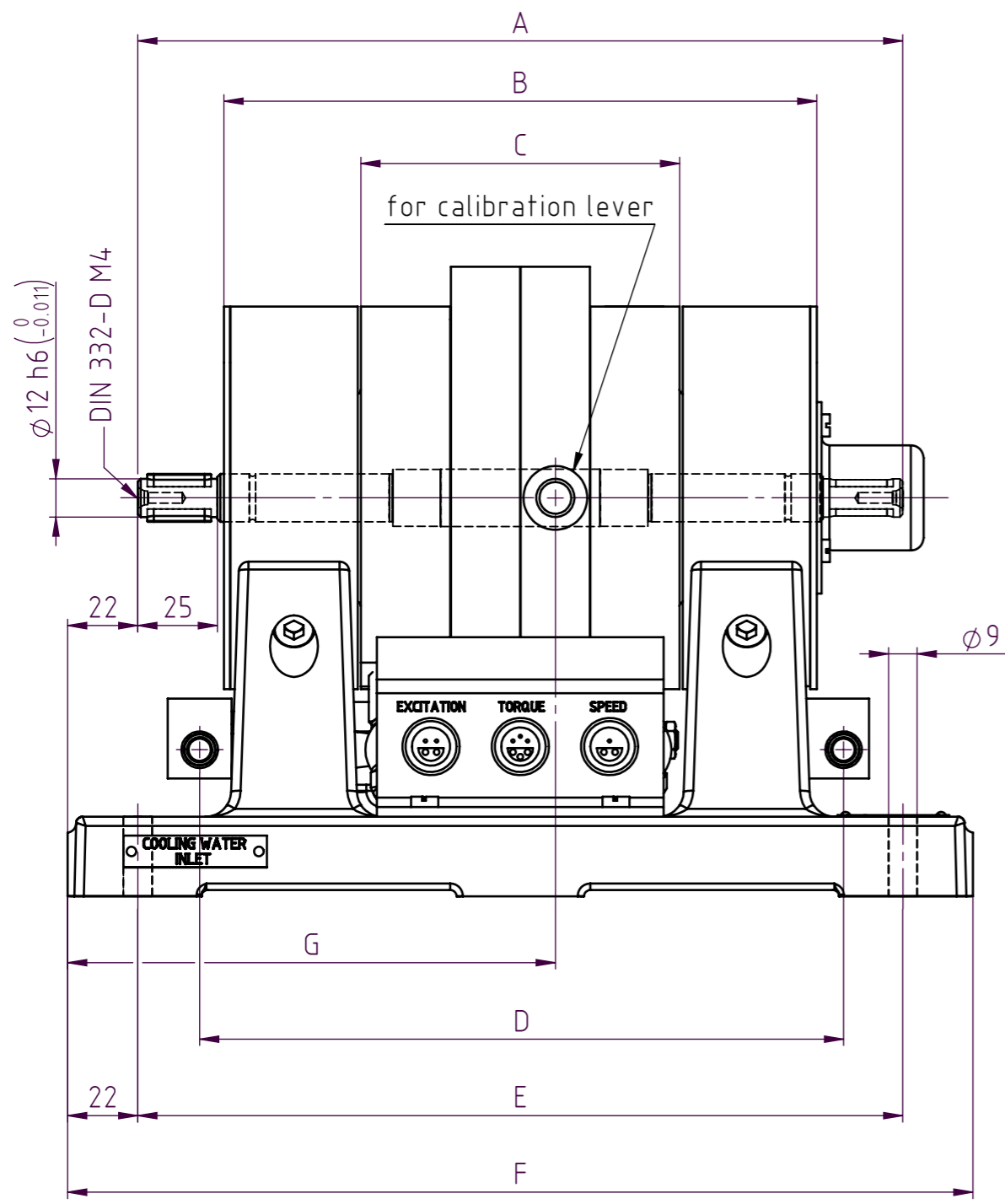
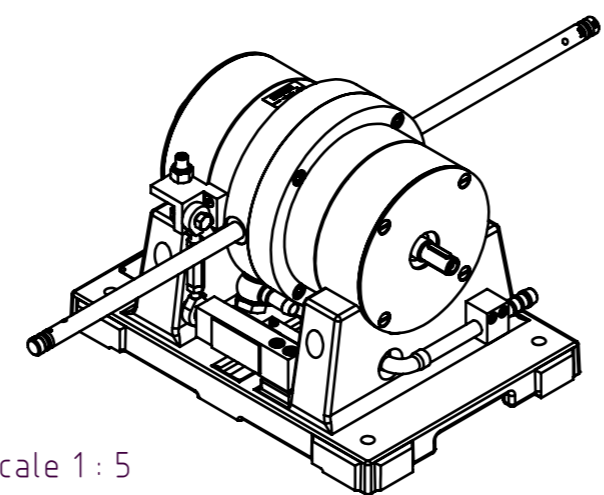


THE INFORMATION DISCLOSED HEREIN WAS ORIGINATED BY AND IS THE PROPERTY OF MAGTROL SA. MAGTROL SA RESERVES ALL PATENT PROPRIETARY, DESIGN, USE, SALE, MANUFACTURING AND REPRODUCTION RIGHTS THERETO.



Type	A	B	C	D	E	F	G
1WB43 / 1PB43	240	186	100	202	240	284	153
2WB43 / 2PB43	290	236	150	252	290	334	167



Scale 1:5

6																		
5																		
4																		
3																		
2																		
1																		
Rev.	Date	PM	Drawn	Appr.	Repl. by :													
					Repl. for:													
Tolerances: \pm mm to 50mm, \pm mm over 50mm																		
Material:						Scale												
Finish:						1:2		<table border="1"> <tr> <td>Drawn</td> <td>16.11.2001</td> <td>arap</td> </tr> <tr> <td>Checked</td> <td></td> <td></td> </tr> <tr> <td>Approved</td> <td>16.11.2001</td> <td>nbur</td> </tr> </table>		Drawn	16.11.2001	arap	Checked			Approved	16.11.2001	nbur
Drawn	16.11.2001	arap																
Checked																		
Approved	16.11.2001	nbur																
Dynamometers						DRAWING N°												
						311-101-000V101												
1-2WB43 1-2PB43																		