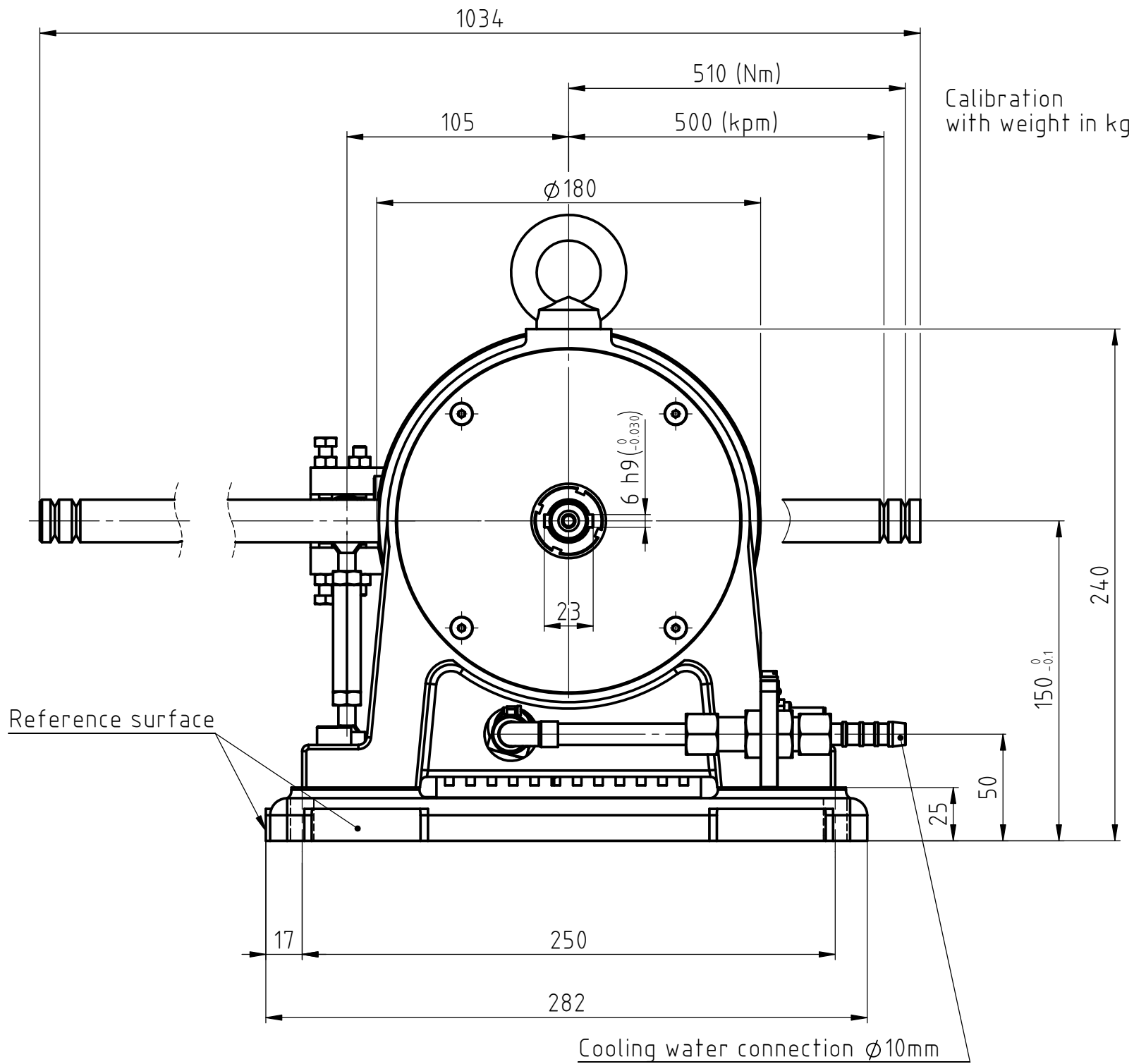
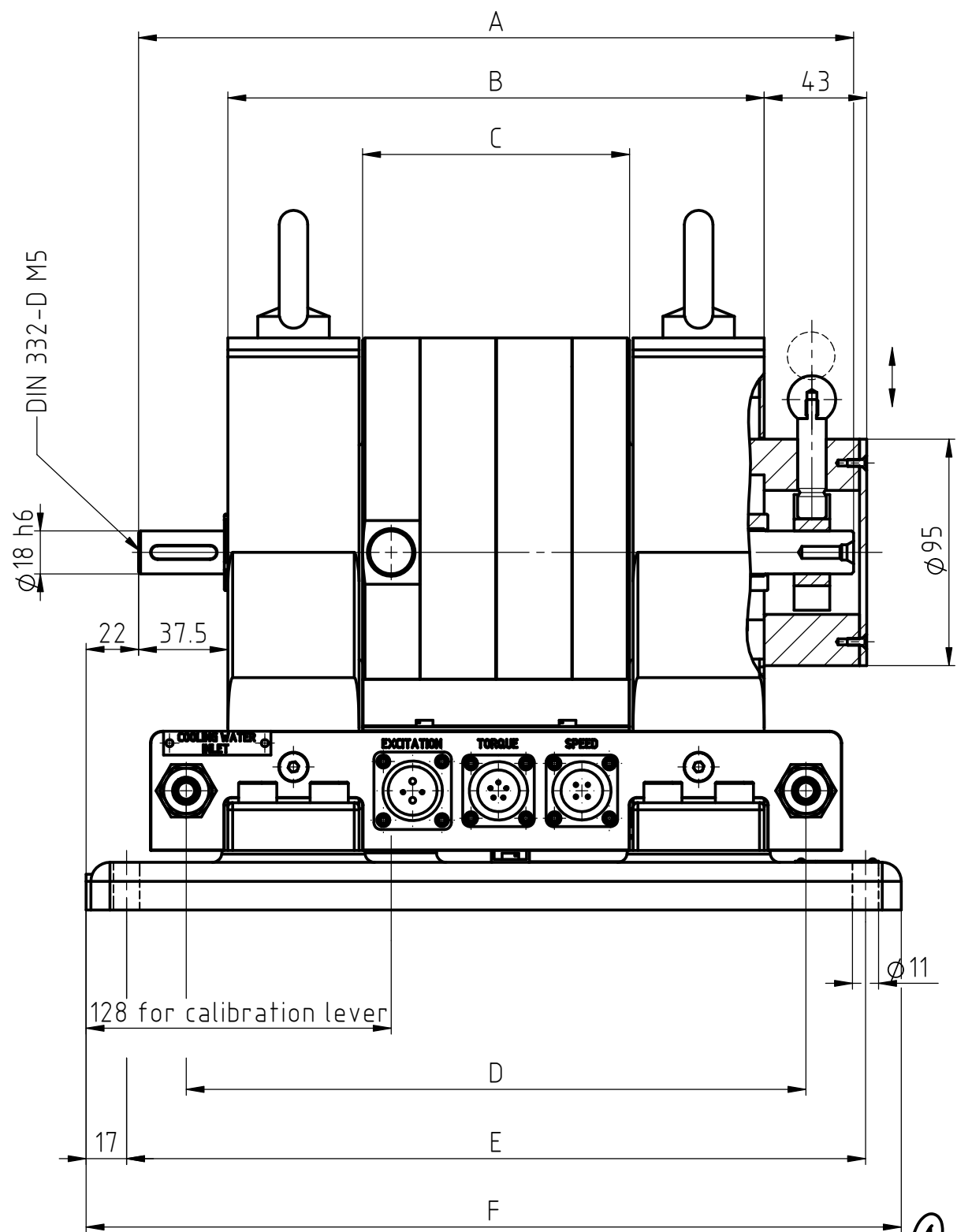


THE INFORMATION DISCLOSED HEREIN WAS ORIGINATED BY AND IS THE PROPERTY OF MAGTROL SA. MAGTROL SA RESERVES ALL PATENT PROPRIETARY, DESIGN, USE, SALE, MANUFACTURING AND REPRODUCTION RIGHTS THERETO.

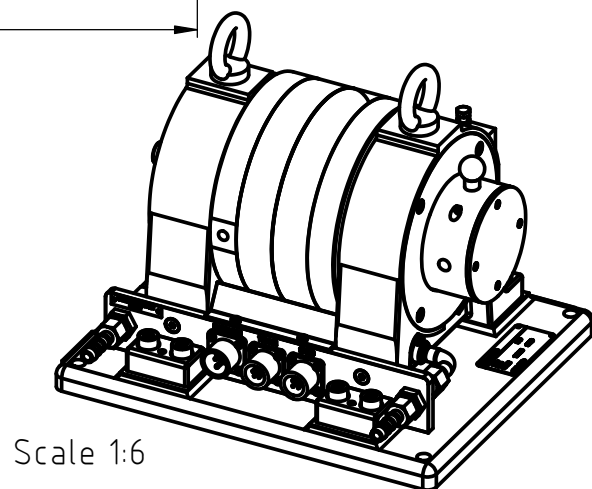


Calibration with weight in kg

Reference surface

Cooling water connection $\phi 10$ mm

Type	A	B	C	D	E	F
1WB 65-MB	300	225	112	260	310	342
2WB 65-MB	370	295	182	330	380	412



6																		
5																		
4																		
3																		
2																		
1																		
Rev.	Date	PM	Drawn	Appr.	Repl. by :													
					Repl. for: id. 4.9.86													
Tolerances: \pm mm to 50mm, \pm mm over 50mm																		
Material:					Scale 1:2.5													
Finish:					DRAWING N°													
					312-105-000V101													
					Dynamometers 1+2WB 65-MB with mechanical rotor locking device													
					<table border="1"> <tr> <td>Drawn</td> <td>20.02.02</td> <td>A.Rappo</td> </tr> <tr> <td>Checked</td> <td></td> <td></td> </tr> <tr> <td>Approved</td> <td>20.02.02</td> <td>N.Buri</td> </tr> </table>					Drawn	20.02.02	A.Rappo	Checked			Approved	20.02.02	N.Buri
Drawn	20.02.02	A.Rappo																
Checked																		
Approved	20.02.02	N.Buri																

A

B

C

D