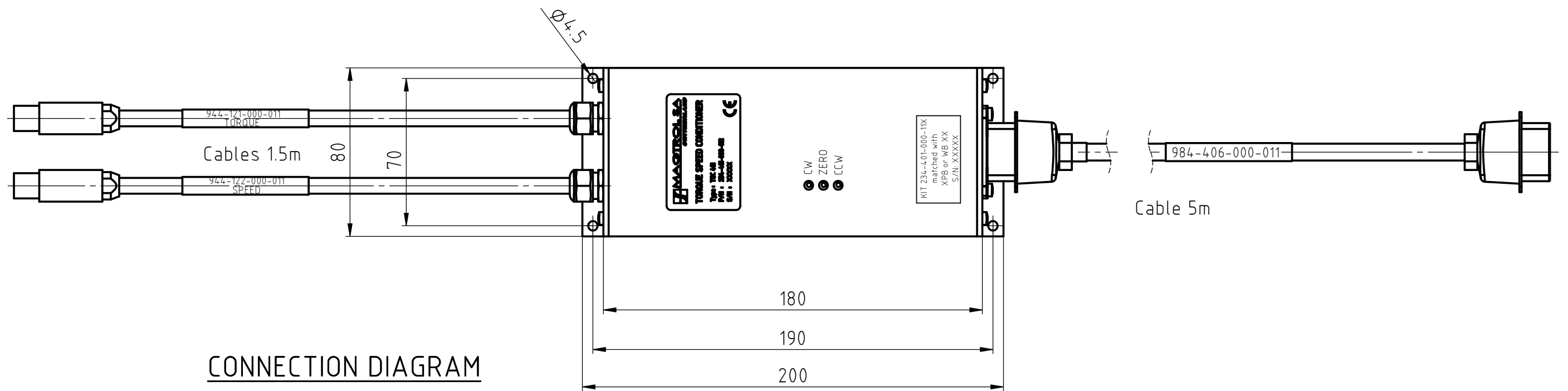
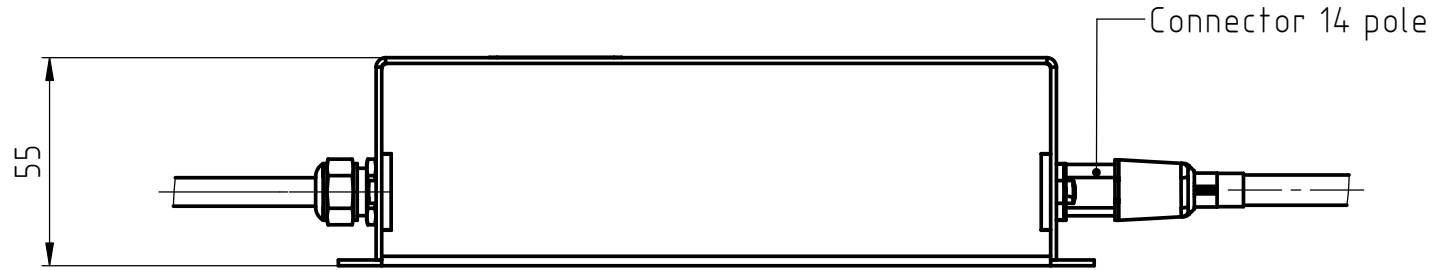
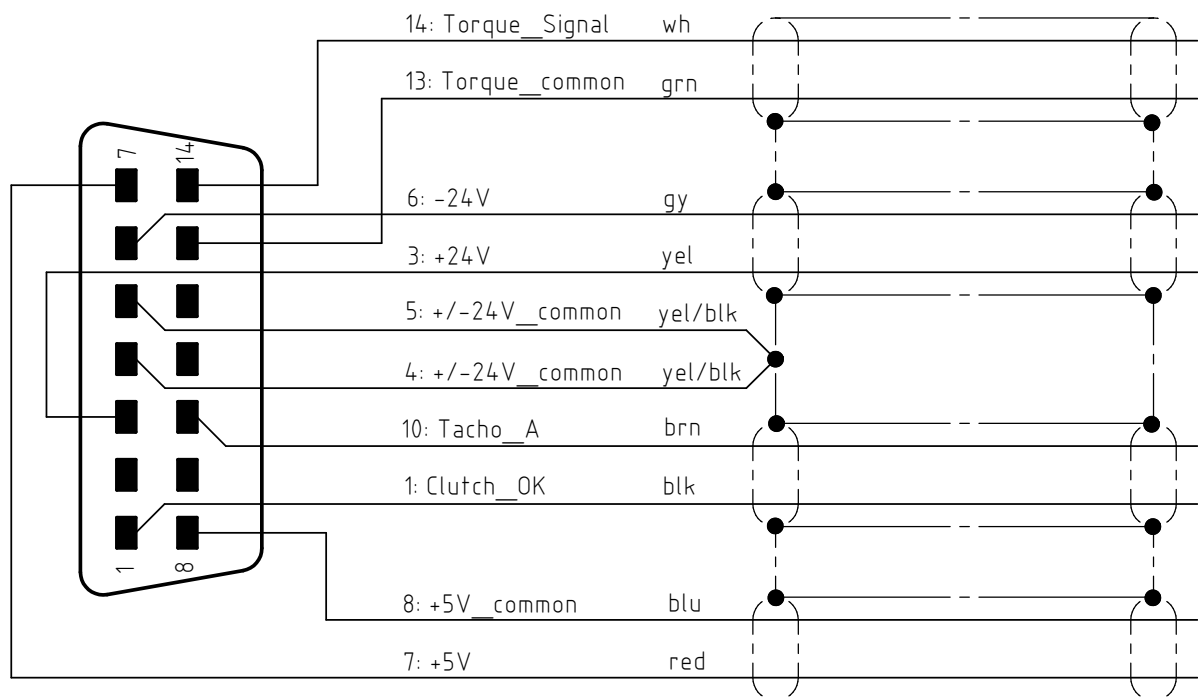


THE INFORMATION DISCLOSED HEREIN WAS ORIGINATED BY AND IS THE PROPERTY OF MAGTROL SA. MAGTROL SA RESERVES ALL PATENT PROPRIETARY, DESIGN, USE, SALE, MANUFACTURING AND REPRODUCTION RIGHTS THERETO.



**CONNECTION DIAGRAM**



Connector Cable plug 14 Pol P (front view)

6						
5						
4						
3						
2						
1	08.10.02	02062	C.S.	NB.	Cross recessed pan head screws were Slotted chesse head screws!	
Rev.	Date	PM	Drawn	Appr.	Repl. by :	
					Repl. for:	
Tolerances: ± mm to 50mm, ± mm over 50mm						
Material:					Scale	Drawn
Finish:					1:2	06.12.01
					Checked	C.S.
					Approved	11.03.02
						N.Buri
<b>Torque Speed Conditioner</b> <b>Kits TSC 401 to Dyno 2.7 &amp; 43</b>					DRAWING N° <b>234-401-000V112</b>	