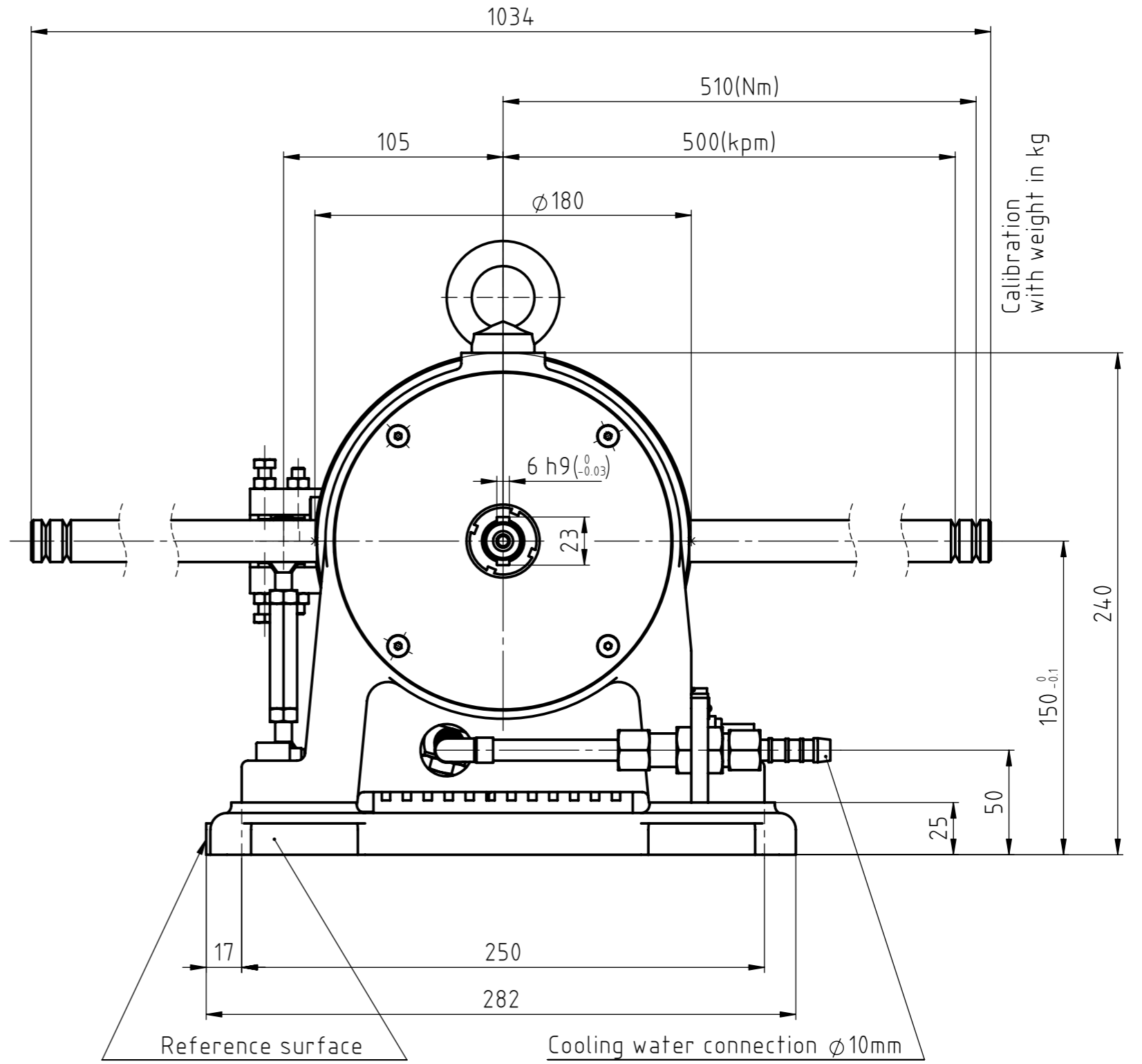
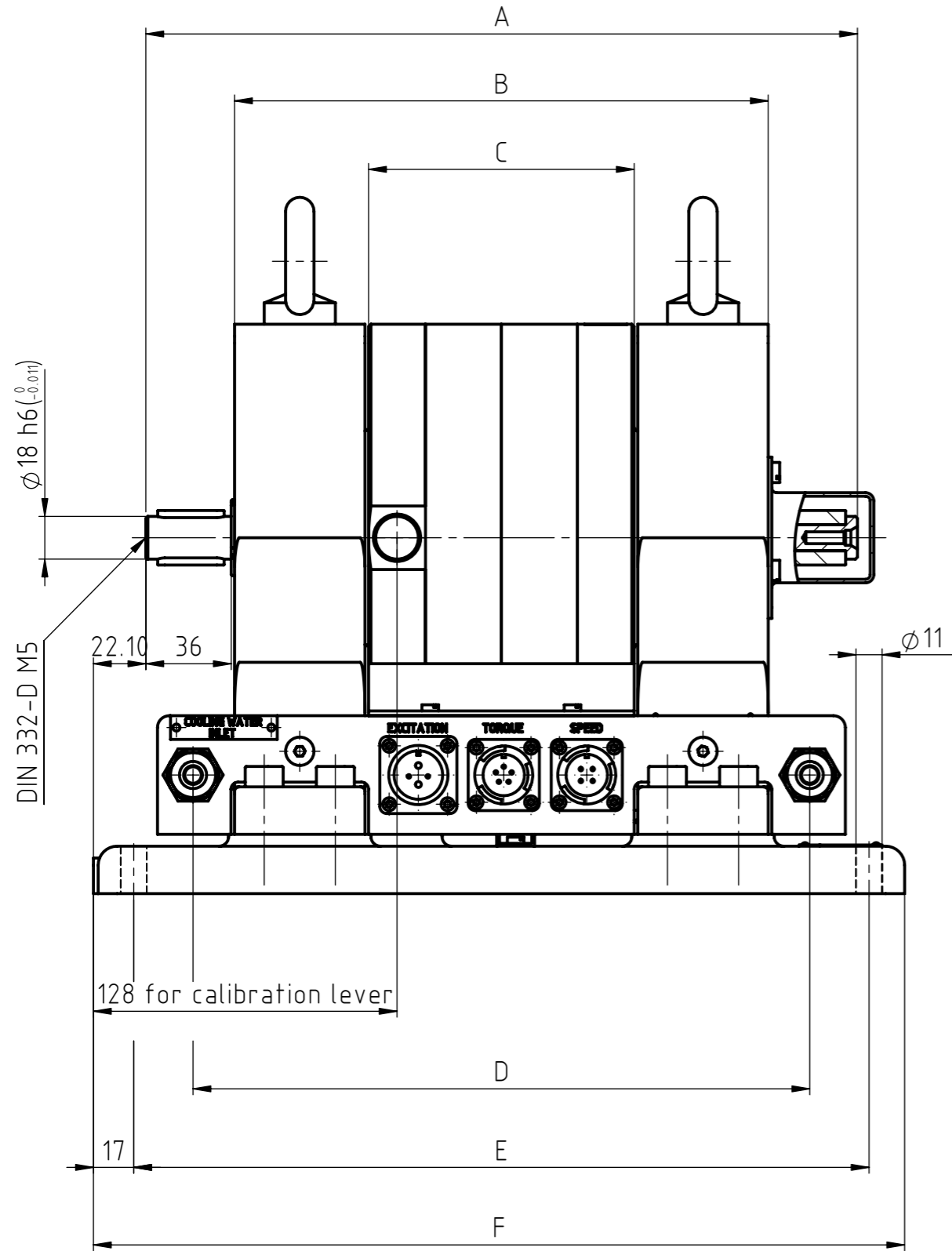


THE INFORMATION DISCLOSED HEREIN WAS ORIGINATED BY AND IS THE PROPERTY OF MAGTROL SA. MAGTROL SA RESERVES ALL PATENT PROPRIETARY, DESIGN, USE, SALE, MANUFACTURING AND REPRODUCTION RIGHTS THERETO.



| Type | A | B | C | D | E | F |
|---------------|-----|-----|-----|-----|-----|-----|
| 1WB65 / 1PB65 | 300 | 225 | 112 | 260 | 310 | 342 |
| 2WB65 / 2PB65 | 370 | 295 | 182 | 330 | 380 | 412 |

| | | | | | | |
|--|----------|-------|---------|--------|--------------------|--|
| 6 | | | | | | |
| 5 | | | | | | |
| 4 | | | | | | |
| 3 | | | | | | |
| 2 | | | | | | |
| 1 | 03.12.99 | 99269 | A.Rappo | N.Buri | New drawing in CAD | |
| Rev. | Date | PM | Drawn | Appr. | Repl. by : | |
| | | | | | Repl. for: | |
| Tolerances: ± mm to 50mm, ± mm over 50mm | | | | | | |
| Material: | | | | | Scale | |
| Finish: | | | | | 1:2.5 | |
| Dynamometers 1-2WB65 1-2PB65 | | | | | DRAWING N° | |
| | | | | | 312-101-000V101 | |



| | | |
|----------|----------|---------|
| Drawn | 26.01.82 | A.Rappo |
| Checked | | |
| Approved | | |