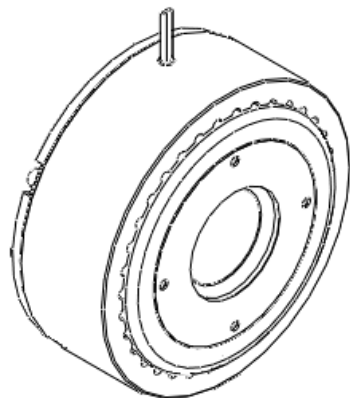
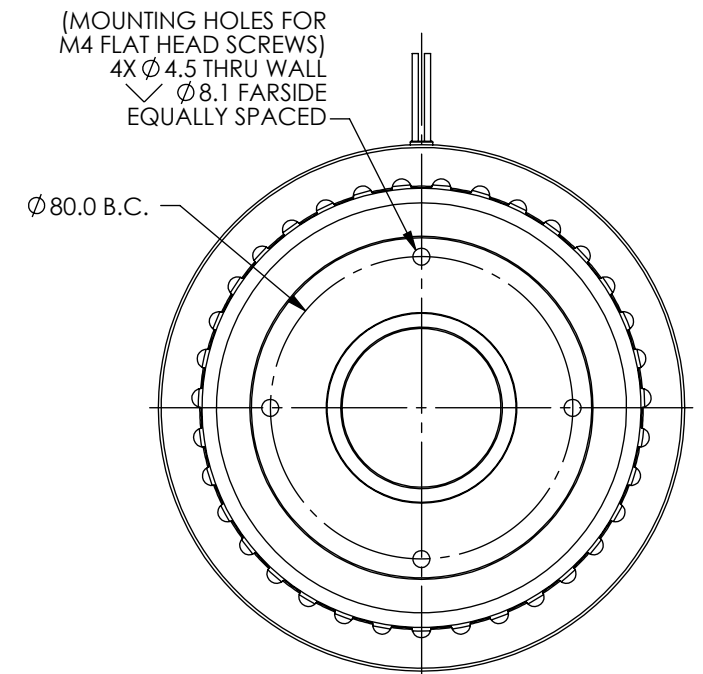
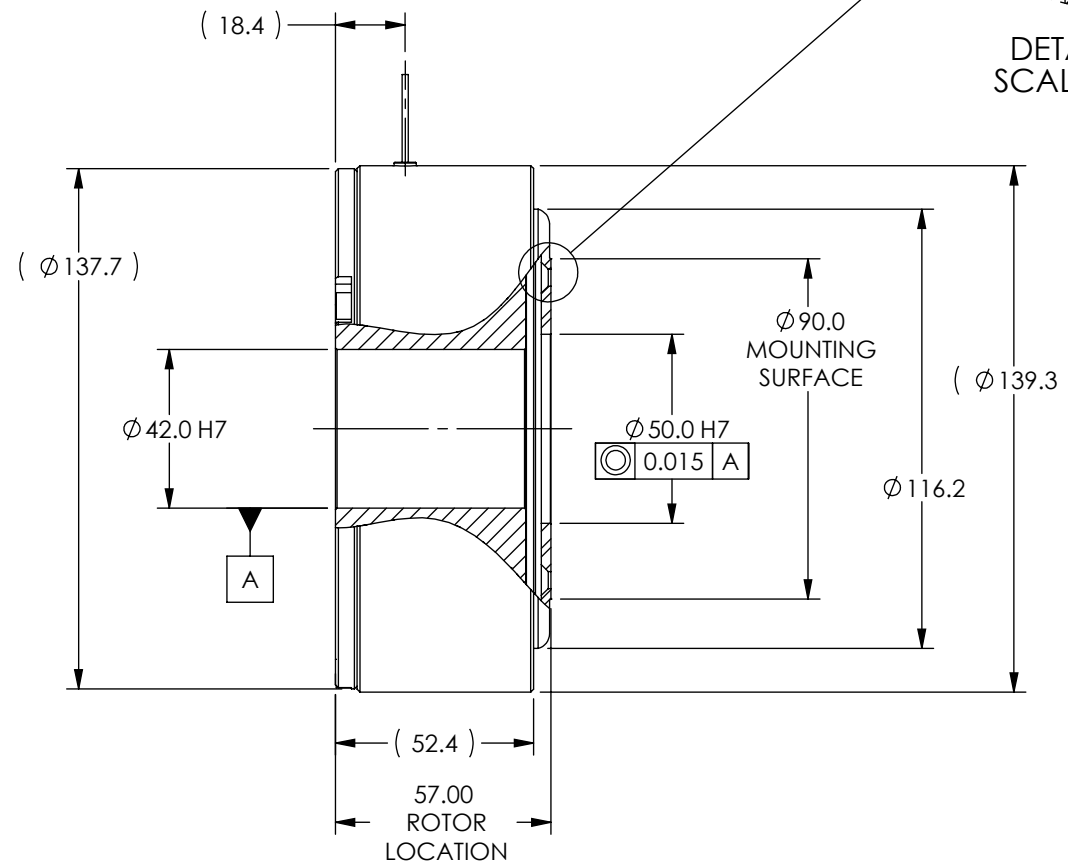
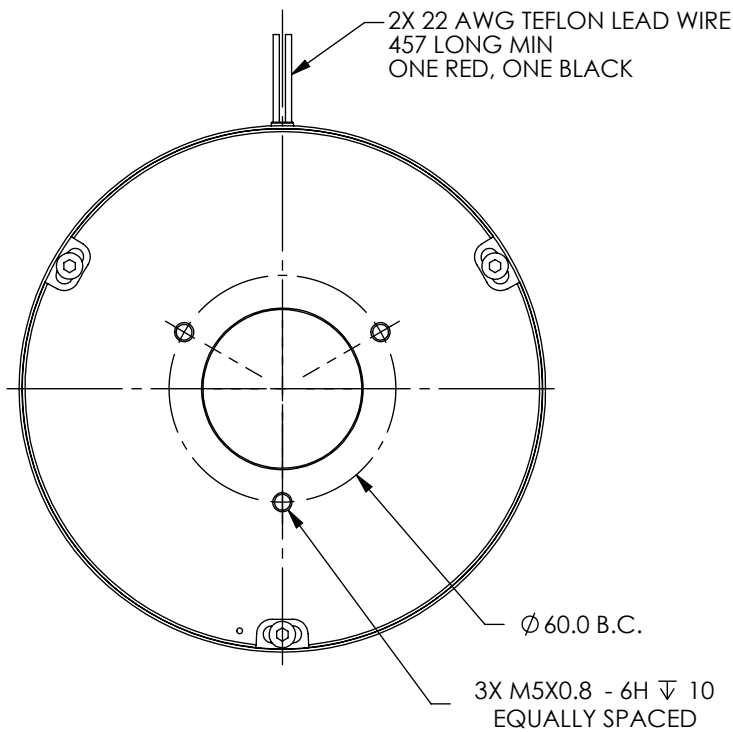
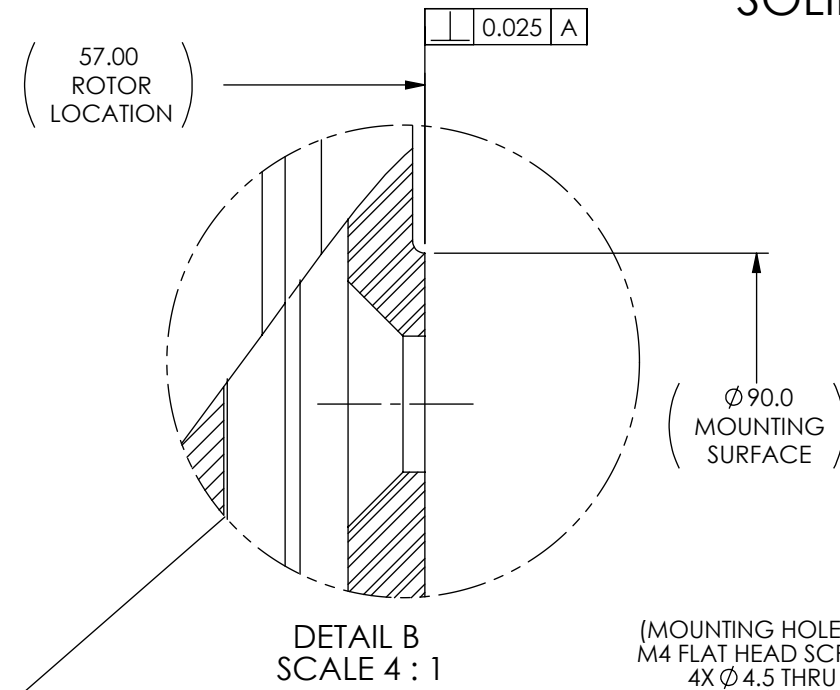


MODEL	COIL NUMBER	STOCK CODE	MINIMUM TORQUE AT RATED CURRENT (Nm)	RATED CURRENT (mA)	RESISTANCE ±10% @ 25°C (ohms)	VOLTAGE (Vdc)	NOMINAL POWER (watts)	MAXIMUM SPEED (RPM)	KINETIC POWER RATINGS	
									5 MINUTE (watts)	CONTINUOUS (watts)
LB-450M	-1 (90 Vdc)	005254	3.0	116	805	93.4	10.8	2,500	670	160
	-2 (24 Vdc)	004135		442	50	22.1	9.8			

SOLID MODEL AVAILABLE



3 DIMENSIONAL VIEW
SCALE 1 : 3

ALIGNMENT NOTES:

- THE POLE/CASE ASSEMBLY AND THE ROTOR ARE SHIPPED AS SEPARATE ITEMS.
- IT IS THE RESPONSIBILITY OF THE MACHINE DESIGNER TO ASSURE PROPER ALIGNMENT OF THE MATING BRAKE PARTS IN THE FINAL ASSEMBLY.
- THESE COMPONENTS MUST BE MOUNTED SUCH THAT THE CONCENTRICITY AND PERPENDICULARITY BETWEEN THE ROTOR AND POLE DOES NOT EXCEED THE SPECIFIED TOLERANCES.

MATERIAL:	DESIGN	DTW	01/18/02		MAGTROL INC.	
	DRAWN	ATT	01/09/98		70 GARDENVILLE PKWY, W. BUFFALO, NEW YORK 14224-1322	
FINISH:	CHECKED	AJC	01/21/02	TITLE		
	UNLESS OTHERWISE SPECIFIED: DIMENSIONS ARE IN MILLIMETERS, DIAMETERS CONCENTRIC: .08 TIR, FACES PERPENDICULAR: .08 INTERPRETATION PER ASME Y14.5M-1994 REMOVE ALL BURRS AND BREAK SHARP EDGES .13/.25 X 45°, ALL INSIDE CORNERS TO BE .5 R MAX. TOLERANCES: X ± .4 .XX ± .13 .X ± .25 ANG. ± 1° SURFACE FINISH 3.2 µm MAX. U.O.S.			LB-450M LARGE BORE BRAKE		
THIRD ANGLE PROJECTION				USED ON: -	REV	
THIS DRAWING AND SPECIFICATION CONTAINS PROPRIETARY INFORMATION TO MAGTROL INC. ANY DISCLOSURE OR REPRODUCTION OF THIS DOCUMENT WITHOUT WRITTEN AUTHORIZATION FROM MAGTROL INC. IS EXPRESSLY PROHIBITED				SIMILAR TO: -	F	
				DWG. NO.	LB-450M	
				SIZE	SCALE	SHEET #
				B	1:2	2 OF 2