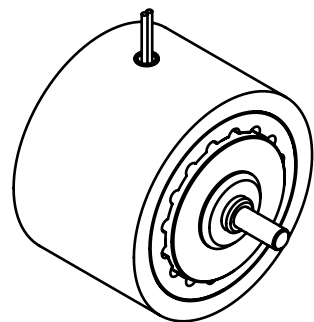
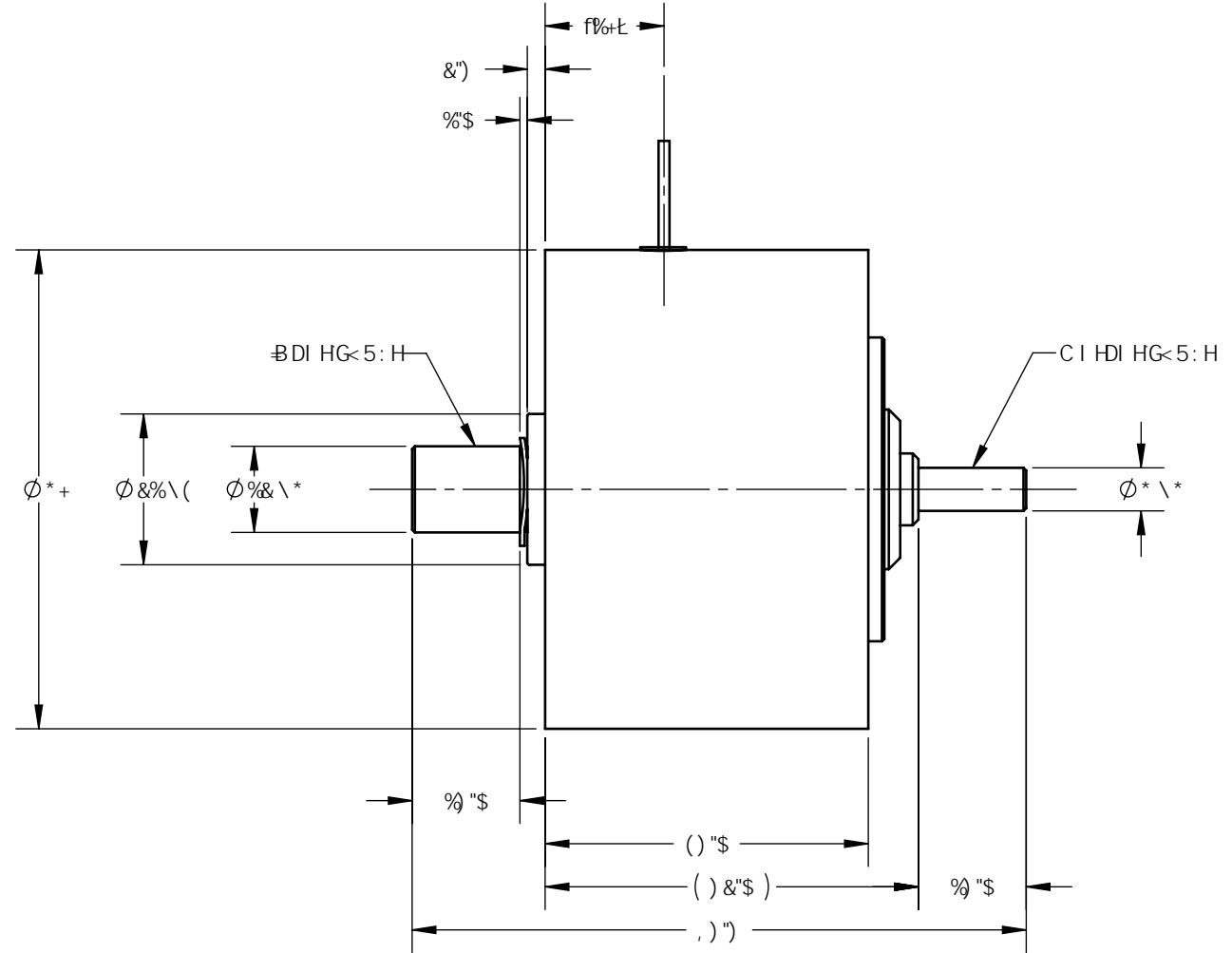
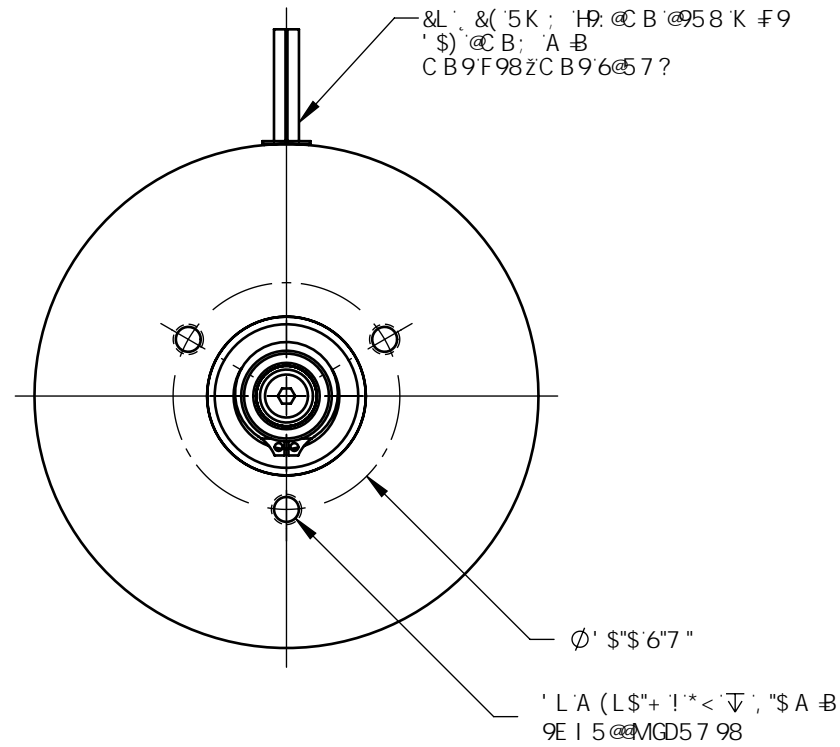


AC89@	7C@ BIA69F	GC7? 7C89	A-B-AIA HCFE195H F5H8 71FF9BH fā Ba Ł	F5H8 71FF9BH fā 5Ł	F9G5B79 -% 4 & 57 fc\ a g.	JC@5; 9 fJ XVL	BCA-B5@ DCK 9F fk Uhtg.	A 5L-AIA GD998 fFDA Ł	?-B9H7 DCK 9F F5HB; G	BDI H G<5: H B9FH5 fL['Vā Ł	CI HDI H G<5: H B9FH5 fL['Vā Ł	
<7:!' &A !L	!%ft \$' J XVL	\$\$*%&+	&&*	+%	%&\$\$	%\$*	+)"*	' Z' \$\$	- \$	&)	"-, ("\$- \$
	!&fB(' J XVL	\$\$) (, '		' ' &	+&)"	&(+"- "					
	!' fP&' J XVL	\$\$*%&)		**+	%	%&	,"\$%					



' 8 A 9 B G C B 5 @ J 9 K
G 7 5 @ % . &

BG5@5HC B'8F5K B;

A 5HF-5@	89G= B	5>7	%&#&&#\$(<p>A 5; HFC@B7" +\$; 5F89BJ @9D?K MZK " 6l :: 5@ZB9K 'MCF? '%&&(1% &&</p>
! :	8F5K B	5>7	%&#&&#\$(
:B-G<.	7 < 97 ? 98	8HK	\$(#)\$) #)	<p><7:!' &A <MGH9F 9G-G'7 @ H7 <</p>
H<F8 5B; @ DFC >97 HC B	<p>I B @GGC H<9FK @9GD97 = 98. 8 A 9BGC BG5F9 B' A @A 9HFG 8-5A 9HFG7 C B 7 9H F 7. "\$, 'HF : 57 9GD9FD9B8 7 I @5F. "\$, BH9FDF9H5HC B 'D9F '5GA 9 'M(") A 1% - () F9A C J 95 @ 6I FFG5B8 '6F95? 'G<5FD98; 9G\$"% #&") L' () S BGB97 CFB9FGHC '69F "\$) 'A 5L HC @9F5B7 9G "L - "8) L' - "("LL - "% LS - "% G I : 579: B G< " " & ± a 'A 5L</p>			<p>H#9. <7:!' &A <MGH9F 9G-G'7 @ H7 <</p>
H<G8F5K-B; 5B8 GD97 = 7 5HC B 7CBH5BGDFC DF 9H5FMB; CFA 5HC B HC 'A 5; HFC@B7" 5BMB 67 @ G I F9 CF F9DFC 8I 7HC B' C; H<G8C7I A 9BH K #<C I HK F H9B 5I H<C F H5HC B : FC A A 5; HFC@B7" G9LDF9GG@MDFC < 6H98	<p>GA 45F 10: ! BK: BC.</p>			F9J
	6	% (G-99H.	