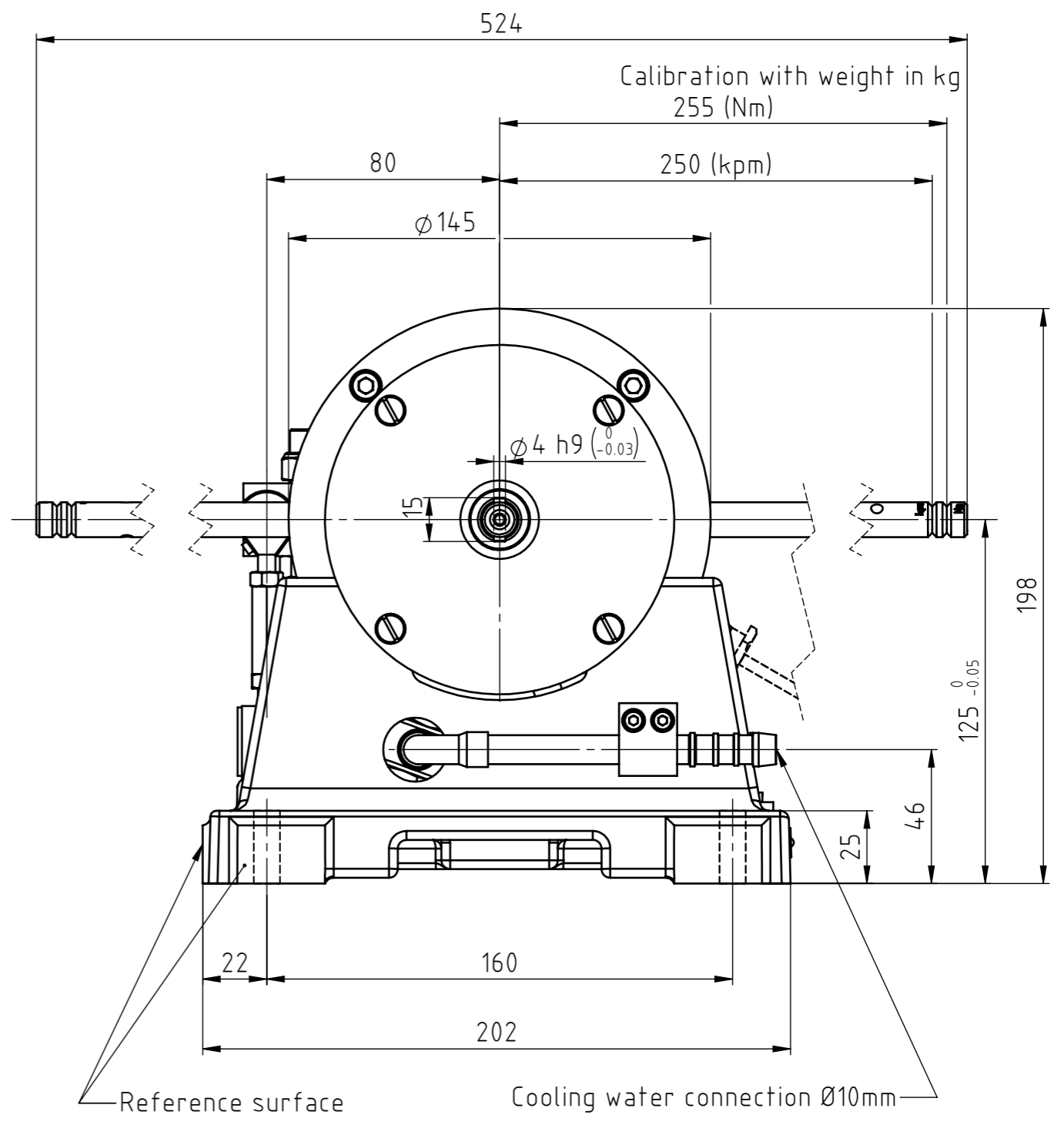
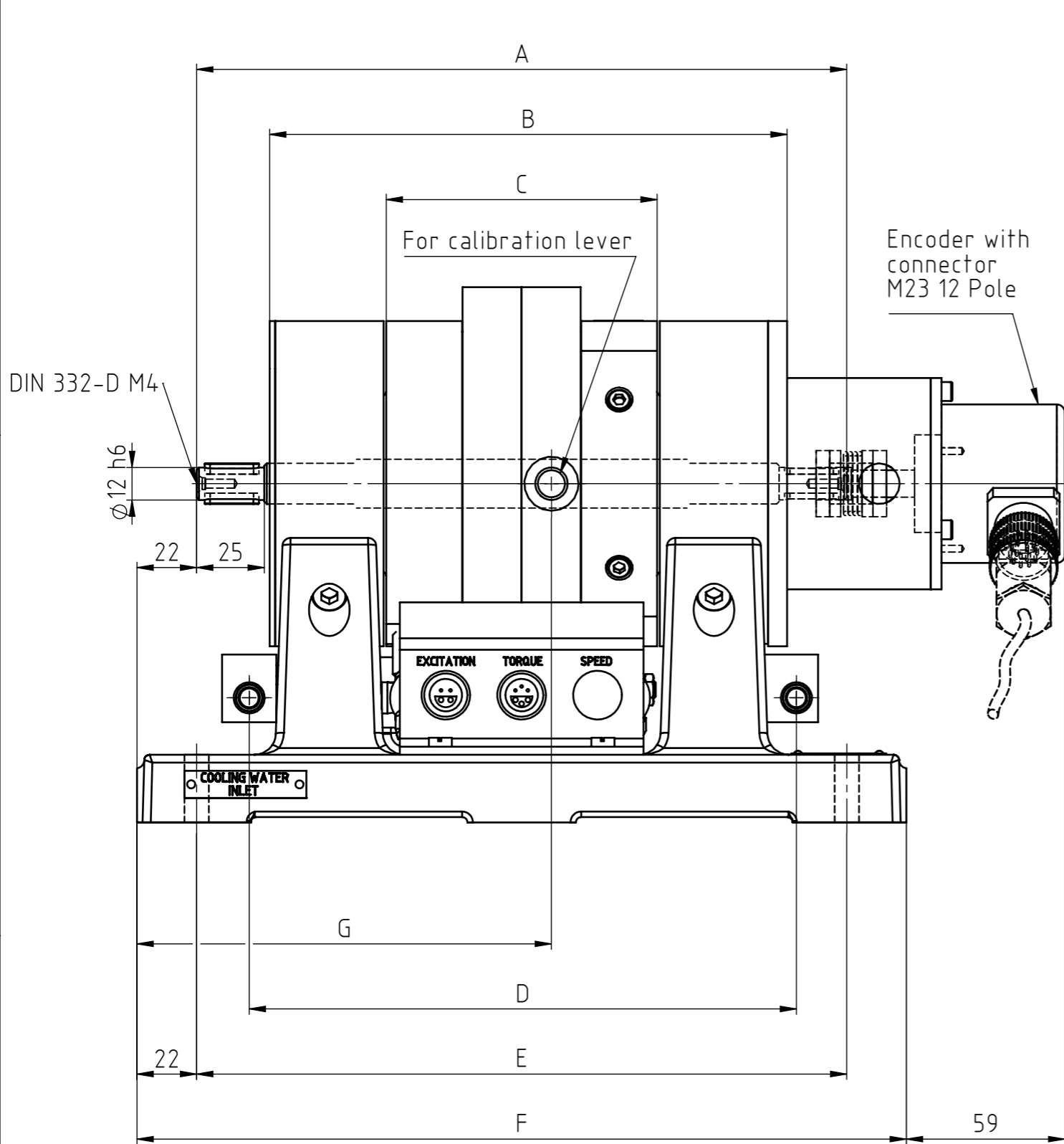


THE INFORMATION DISCLOSED HEREIN WAS ORIGINATED BY AND IS THE PROPERTY OF MAGTROL SA. MAGTROL SA RESERVES ALL PATENT PROPRIETARY, DESIGN, USE, SALE, MANUFACTURING AND REPRODUCTION RIGHTS THERETO.



Type	A	B	C	D	E	F	G
1PB43	240	191	100	202	240	284	153
2PB43	290	241	150	252	290	334	167

6																	
5																	
4																	
3																	
2																	
1																	
Rev.	Date	PM	Drawn	Appr.	Repl. by :												
					Repl. for:												
Tolerances: $\pm$ mm to 50mm, $\pm$ mm over 50mm																	
Material:						Scale 1:2											
Finish:						<table border="1"> <tr> <td>Drawn</td> <td>23.06.16</td> <td>Ajoy</td> </tr> <tr> <td>Checked</td> <td></td> <td></td> </tr> <tr> <td>Approved</td> <td>23.06.16</td> <td>Acot</td> </tr> </table>			Drawn	23.06.16	Ajoy	Checked			Approved	23.06.16	Acot
Drawn	23.06.16	Ajoy															
Checked																	
Approved	23.06.16	Acot															
Dynamometers 1-2PB43 DG						DRAWING N°											
						321-107-000V062											

A B C D