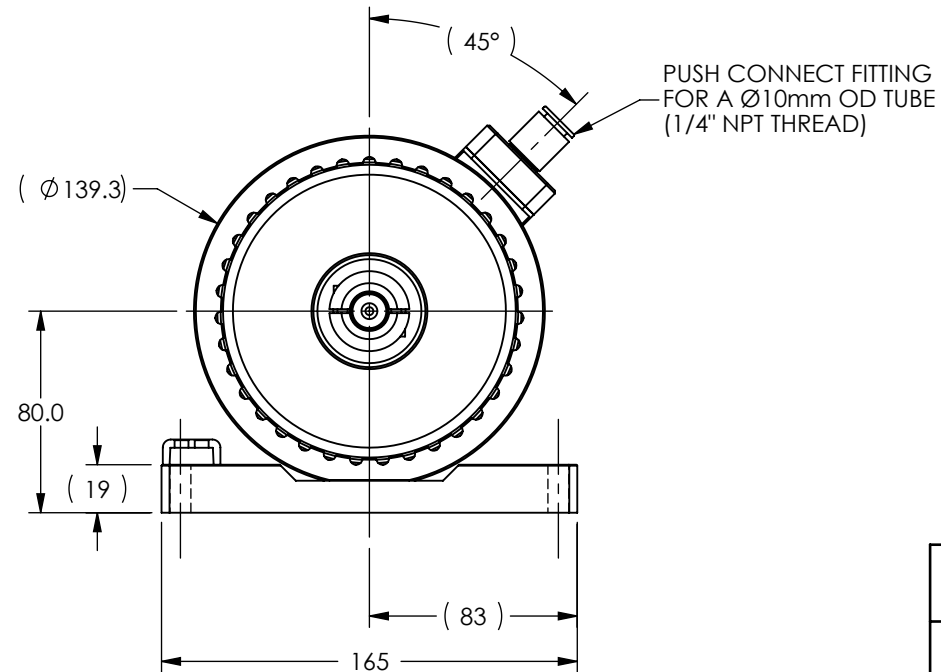
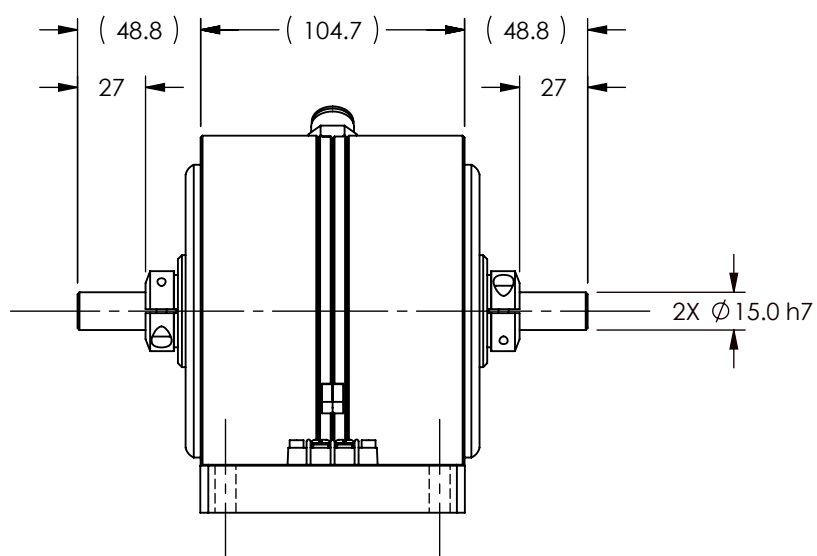
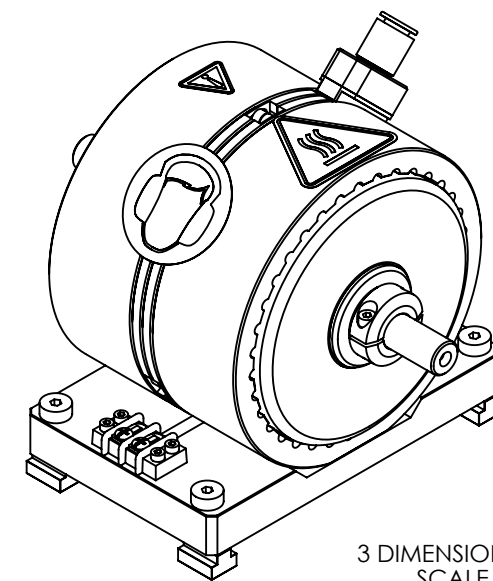
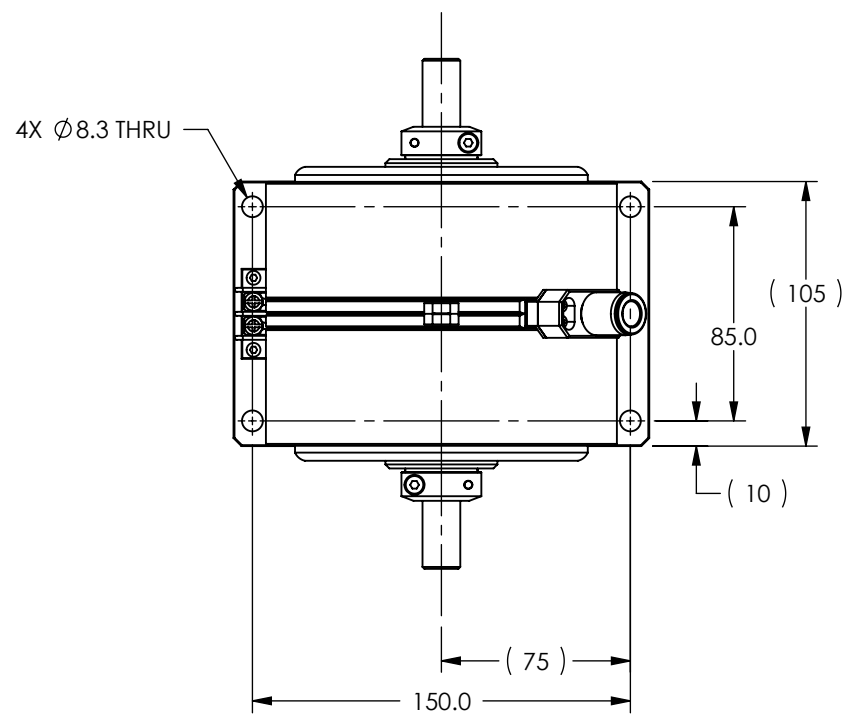


MODEL	STOCK CODE	MINIMUM TORQUE AT RATED CURRENT (Nm)	RATED CURRENT (mA)	RESISTANCE ±10% @ 25°C (ohms)	VOLTAGE (Vdc)	NOMINAL POWER (watts)	MAXIMUM SPEED (RPM)	KINETIC POWER RATINGS			DE-ENERGIZED DRAG TORQUE @ 1000 RPM (Nm)	EXTERNAL INERTIA (kg cm ²)	TORQUE TO INERTIA RATIO (rad/s ²)
								AIR SUPPLY* (kPa)	5 MINUTE (watts)	CONTINUOUS (watts)			
AHB-6	006334	6.0	1500	16.5	24.8	37	20,000	620±35	3000	3000	2.82 X 10 ⁻²	1.38 X 10 ¹	4,350
								NO AIR	1400	225			

SOLID MODEL AVAILABLE

- * AIR SUPPLY NOTES:
- CUSTOMER IS TO SUPPLY CLEAN, DRY AIR.
 - APPROXIMATE AIR CONSUMPTION IS: 567 liter/minute @ 620 kPa



MATERIAL:	DESIGN	JEF	06/10/05	MAGTROL INC. 70 GARDENVILLE PKWY, W. BUFFALO, NEW YORK 14224-1322
	DRAWN	JEF	04/16/07	
FINISH:	CHECKED	AJC	04/17/07	TITLE
THIRD ANGLE PROJECTION	UNLESS OTHERWISE SPECIFIED: DIMENSIONS ARE IN MILLIMETERS, DIAMETERS CONCENTRIC: 0.08 TIR, FACES PERPENDICULAR: 0.08 INTERPRETATION PER ASME Y14.5M-1994 REMOVE ALL BURRS AND BREAK SHARP EDGES 0.13/0.25 X 45°, ALL INSIDE CORNERS TO BE R 0.5 MAX. TOLERANCES: X ±0.4 X.XX ±0.13 X.X ±0.25 ANG. ±1° SURFACE FINISH 3.2 μm MAX. U.O.S.			AHB-6, AIR COOLED HYSTERESIS BRAKE
THIS DRAWING AND SPECIFICATION CONTAINS PROPRIETARY INFORMATION TO MAGTROL INC. ANY DISCLOSURE OR REPRODUCTION OF THIS DOCUMENT WITHOUT WRITTEN AUTHORIZATION FROM MAGTROL INC. IS EXPRESSLY PROHIBITED	TITLE			USED ON: - SIMILAR TO: 005558
	DWG. NO.			REV
	AHB-6			C
	SIZE	SCALE	SHEET #	
	B	1:3	4 OF 4	

TYPICAL SOUND PRESSURE AT 1 METER: 110db



WARNING: HIGH SOUND LEVELS CAN CAUSE PERMANENT HEARING LOSS. USE HEARING PROTECTION WHILE THIS PRODUCT IS IN USE.