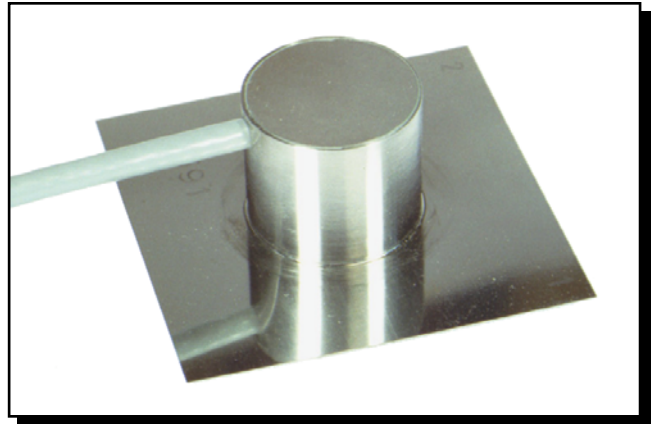


## KG-03 Spot-welded Extensometer

### FEATURES

- Strain gauge transducer, impedance 350  $\Omega$
- Gauge factor: 2.00 nominal
- Two strain gauges at 90°
- IP 67 protection class
- Compact dimensions
- Robust design
- Material: stainless steel W. Nr. 1.4301 (AISI 304)
- Welded mounting on machined flat surface
- Low price



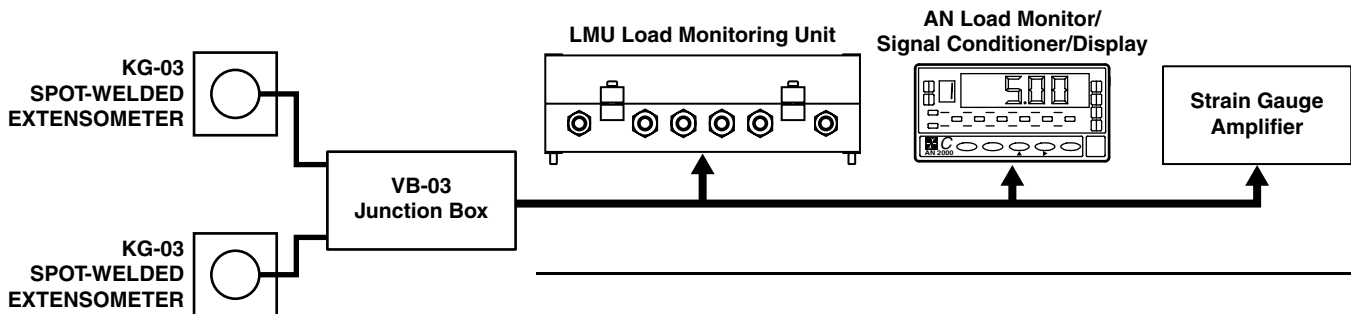
### DESCRIPTION

The Magtrol KG-03 Spot-welded Extensometer with stainless steel base plate is designed to be fitted in a place where strain is maximum and proportional to the force being measured.

### APPLICATIONS

KG-03 is ideally suited for welding to steel structures such as railway rails, load checking devices and similar long-term outdoor applications.

### SYSTEM CONFIGURATION OPTIONS

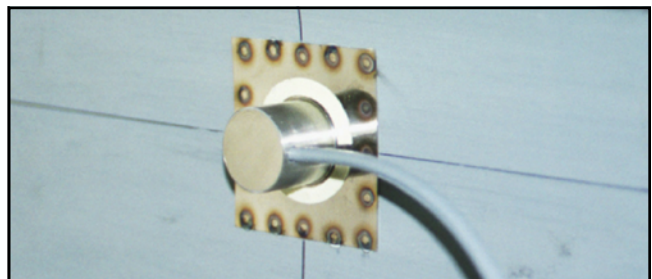


### MOUNTING EXAMPLES

On request, Magtrol can provide either spot welding of the KG-03 Extensometer or end-user instruction.



Spot welding of KG-03 Extensometer on a rail

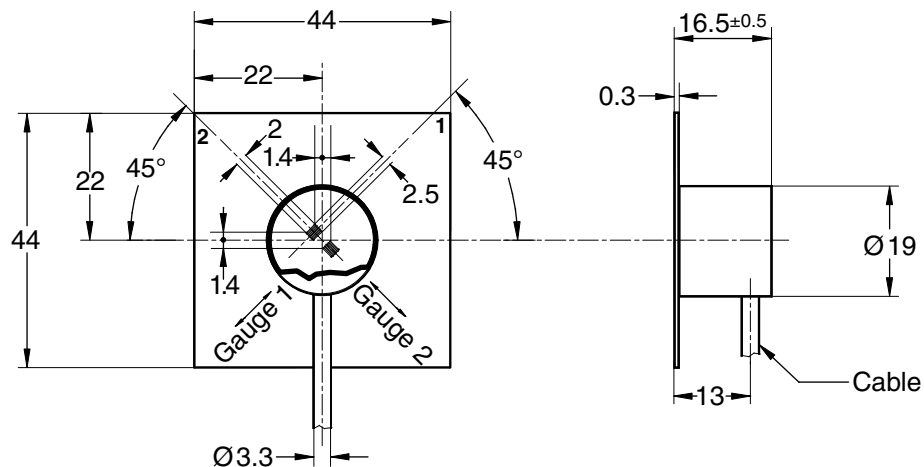


Completely welded KG-03 Extensometer on a rail

**TECHNICAL RATINGS**

<b>MECHANICAL CHARACTERISTICS</b>	
Maximal Usable Load	1.5 × nominal load
Strain Gauge Sealing • Leakage	Metallic, with laser welding and soldering $\leq 1.2 \times 10^{-7} \text{ cm}^3/\text{s}$
<b>ELECTRICAL CHARACTERISTICS</b>	
Insulation Resistance	$10^{10} \Omega$
Fatigue Resistance • Nominal Deformation	$> 10^7$ loading cycles of repeatable strain $\epsilon = 0$ to $350 \times 10^{-6}$
Dielectric Strength Between Gauges and Metallic Housing (according to IEC-255-4)	4 kV for pulse 1.2/50 $\mu\text{s}$ 2 kV for alternating current 50 Hz, 60 sec.
<b>ENVIRONMENTAL CHARACTERISTICS</b>	
Compensated Temperature	-10 °C to +40 °C
Operating Temperature	-40 °C to +80 °C
Protection Class	IP 67
<b>CONNECTION CABLE</b>	
Shielded Cable Length	0.35 m (Other cable lengths available upon request.)
Pin Connections: gauge 1 gauge 1 gauge 2 gauge 2	Color Code (according to DIN): red blue white black or yellow

**DIMENSIONS**



Due to the continual development of our products, we reserve the right to modify specifications without forewarning.



[www.magtrol.com](http://www.magtrol.com)

**MAGTROL INC**  
70 Gardenville Parkway  
Buffalo, New York 14224 USA  
Phone: +1 716 668 5555  
Fax: +1 716 668 8705  
E-mail: [magtrol@magtrol.com](mailto:magtrol@magtrol.com)

**MAGTROL SA**  
Centre technologique Montena  
1728 Rossens/Fribourg, Switzerland  
Phone: +41 (0)26 407 3000  
Fax: +41 (0)26 407 3001  
E-mail: [magtrol@magtrol.ch](mailto:magtrol@magtrol.ch)

**Subsidiaries in:**  
Great Britain  
Germany • France  
China • India  
Worldwide Network  
of Sales Agents

