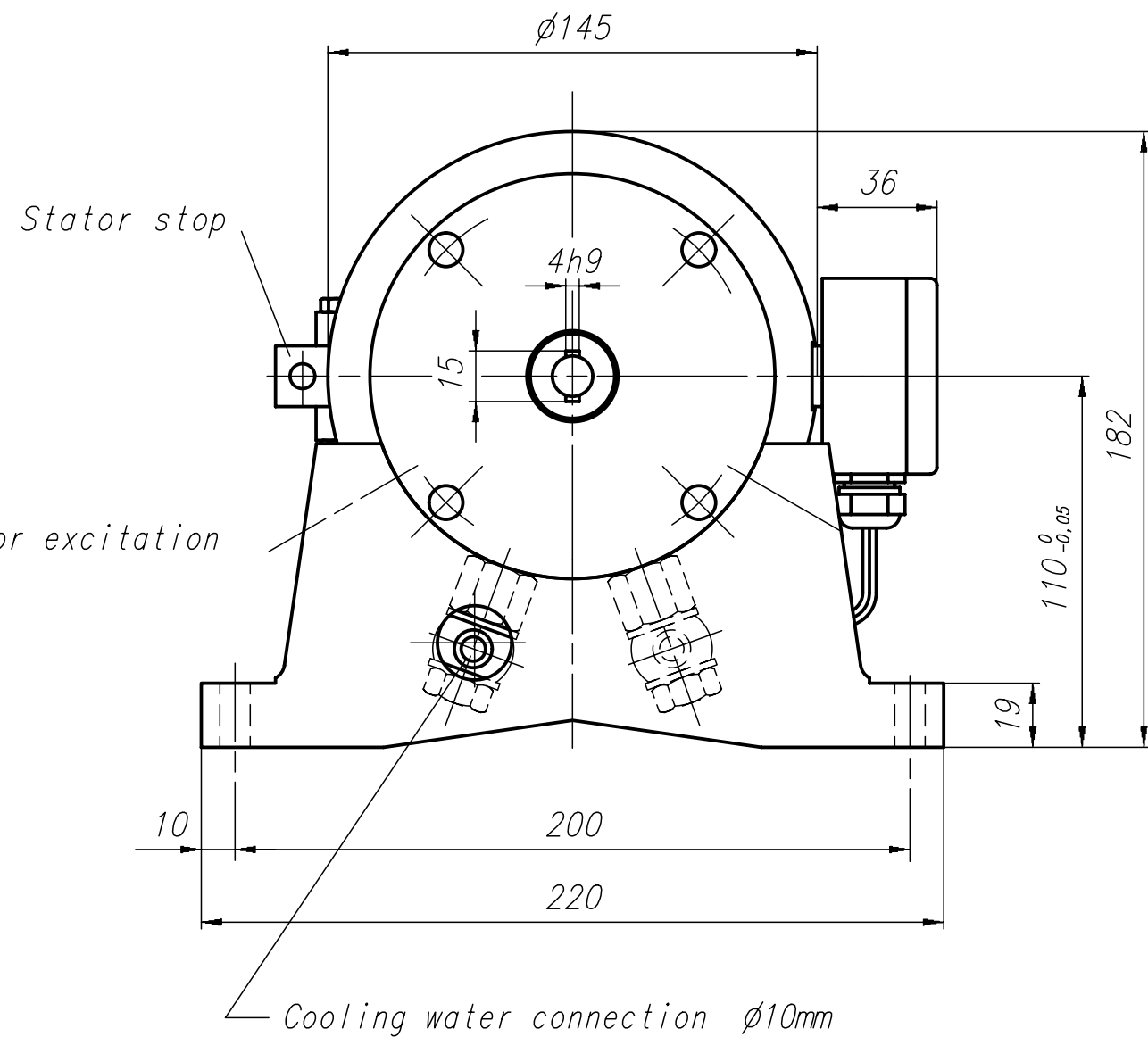
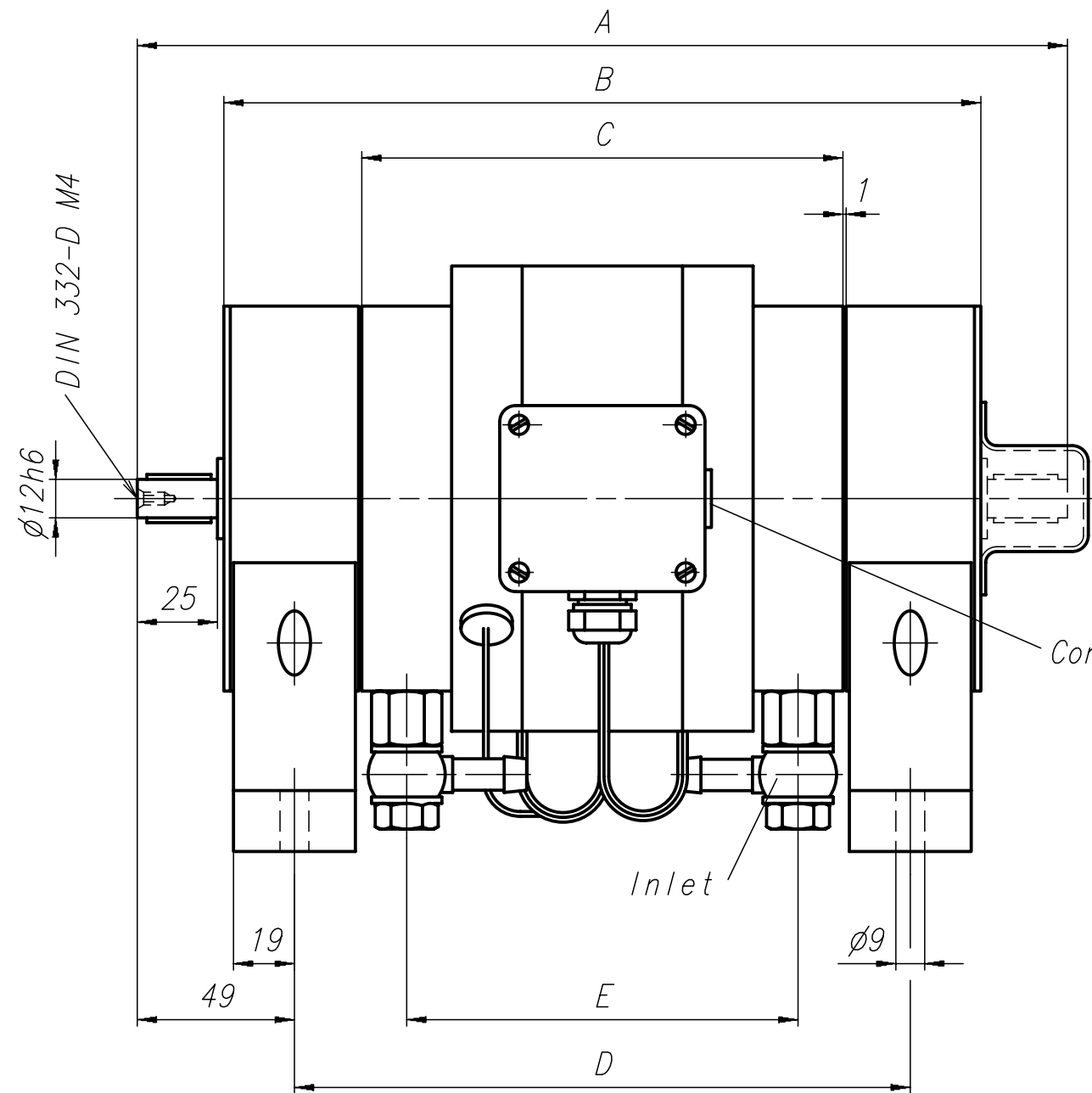


THE INFORMATION DISCLOSED HEREIN WAS ORIGINATED BY AND IS THE PROPERTY OF MAGTROL SA. MAGTROL SA RESERVES ALL PATENT, PROPRIETARY, DESIGN, USE, SALE, MANUFACTURING AND REPRODUCTION RIGHTS THERETO.



TYPE		A	B	C	D	E
1WB43-IS	1PB43-IS	240	186	100	142	72
2WB43-IS	2PB43-IS	290	236	150	192	122

6													
5													
4													
3													
2													
1													
Rev.	Date	PM	Drawn	Appr.	Repl. by :								
					Repl. for:								
Tolerances: $\pm$ mm to 50 mm; $\pm$ mm over 50 mm								<b>MAGTROL SA</b>					
Material:										Scale	Drawn	29.10.98	arap
Finish :										Checked			
						Approved	3.11.98	nbur					
<b>Dynamometers</b> <b>1+2WB43-IS 1+2PB43-IS</b>						DRAWING N°							
						<b>311-104-000V021</b>							