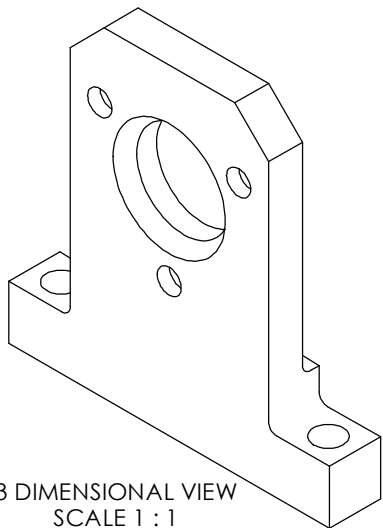
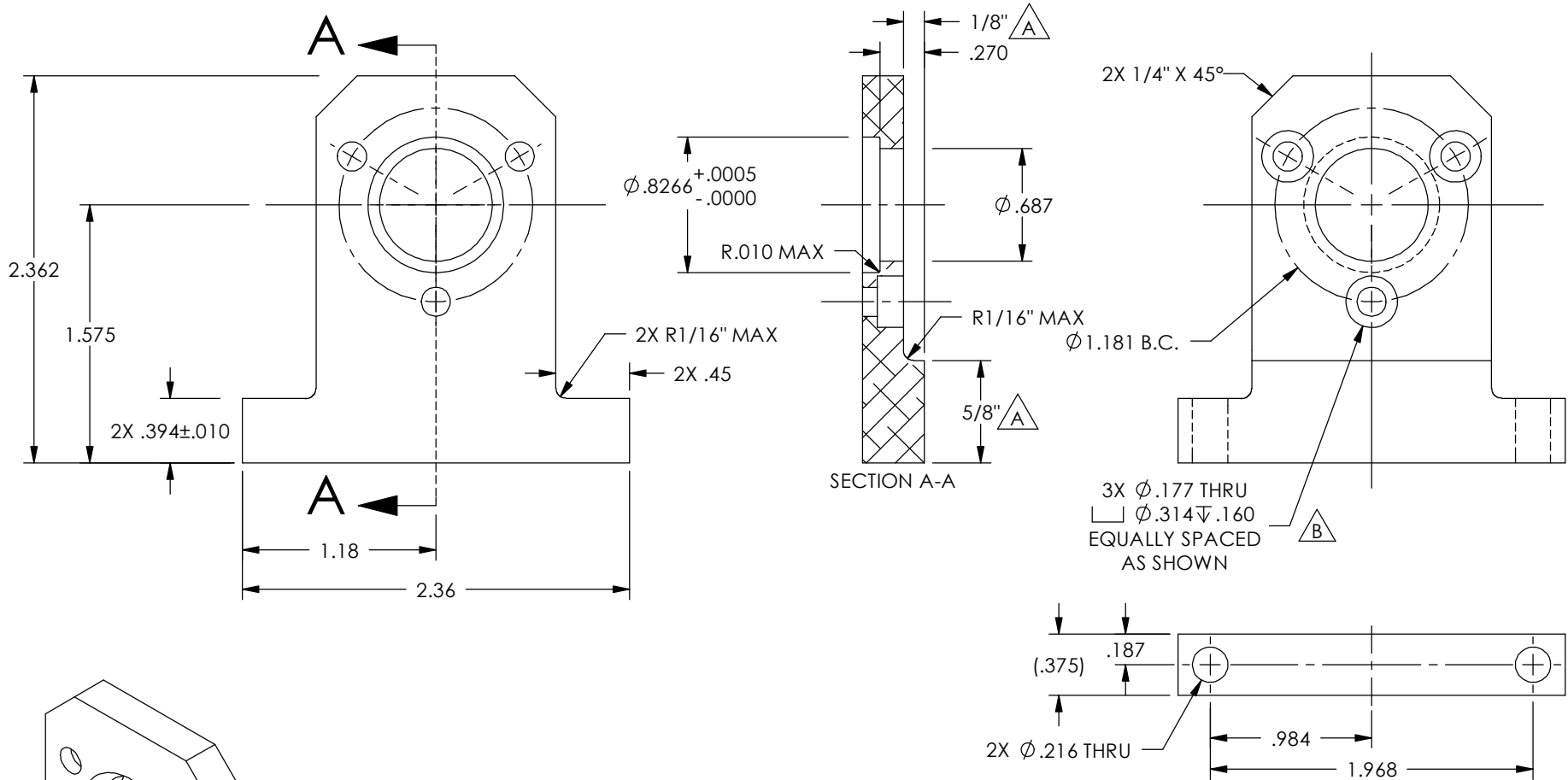

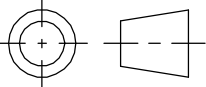


REVISIONS				
LETTER	DATE	BY	ECN	DESCRIPTION
A	10/14/2005	AJC	-	ADDED 1/8" X 5/8" RELIEF CUT
B	3/10/2006	AJC	6239	.160 WAS .187



MATERIAL: MIC-6 ALUMINUM	DESIGN	AJC	04/26/05	 <b>MAGTROL INC.</b> 70 GARDENVILLE PKWY, W. BUFFALO, NEW YORK 14224-1322
	DRAWN	AJC	04/26/05	
FINISH: ANODIZE TYPE II CLEAR	CHECKED	DTW	04/26/05	TITLE PILLOW BLOCK, HCF-32M
	UNLESS OTHERWISE SPECIFIED: DIMENSIONS ARE IN INCHES, DIAMETERS CONCENTRIC-.003 TIR, FACES PERPENDICULAR-.003 INTERPRETATION PER ASME Y14.5M-1994 REMOVE ALL BURRS AND BREAK SHARP EDGES .005/.010 X 45°, ALL INSIDE CORNERS TO BE .02 R MAX. TOLERANCES .XX $\pm .01$ FRAC. $\pm 1/64"$ .XXX $\pm .005$ ANG. $\pm 1^\circ$ SURFACE FINISH 125 RMS MAX. U.O.S.			USED ON: HCF-32M SIMILAR TO: 404705 DWG. NO.
THIRD ANGLE PROJECTION				REV <b>404724</b> B
THIS DRAWING AND SPECIFICATION CONTAINS PROPRIETARY INFORMATION TO MAGTROL INC. ANY DISCLOSURE OR REPRODUCTION OF THIS DOCUMENT WITHOUT WRITTEN AUTHORIZATION FROM MAGTROL INC. IS EXPRESSLY PROHIBITED	SIZE      SCALE      SHEET # <b>A</b> 1:1      1 OF 1			