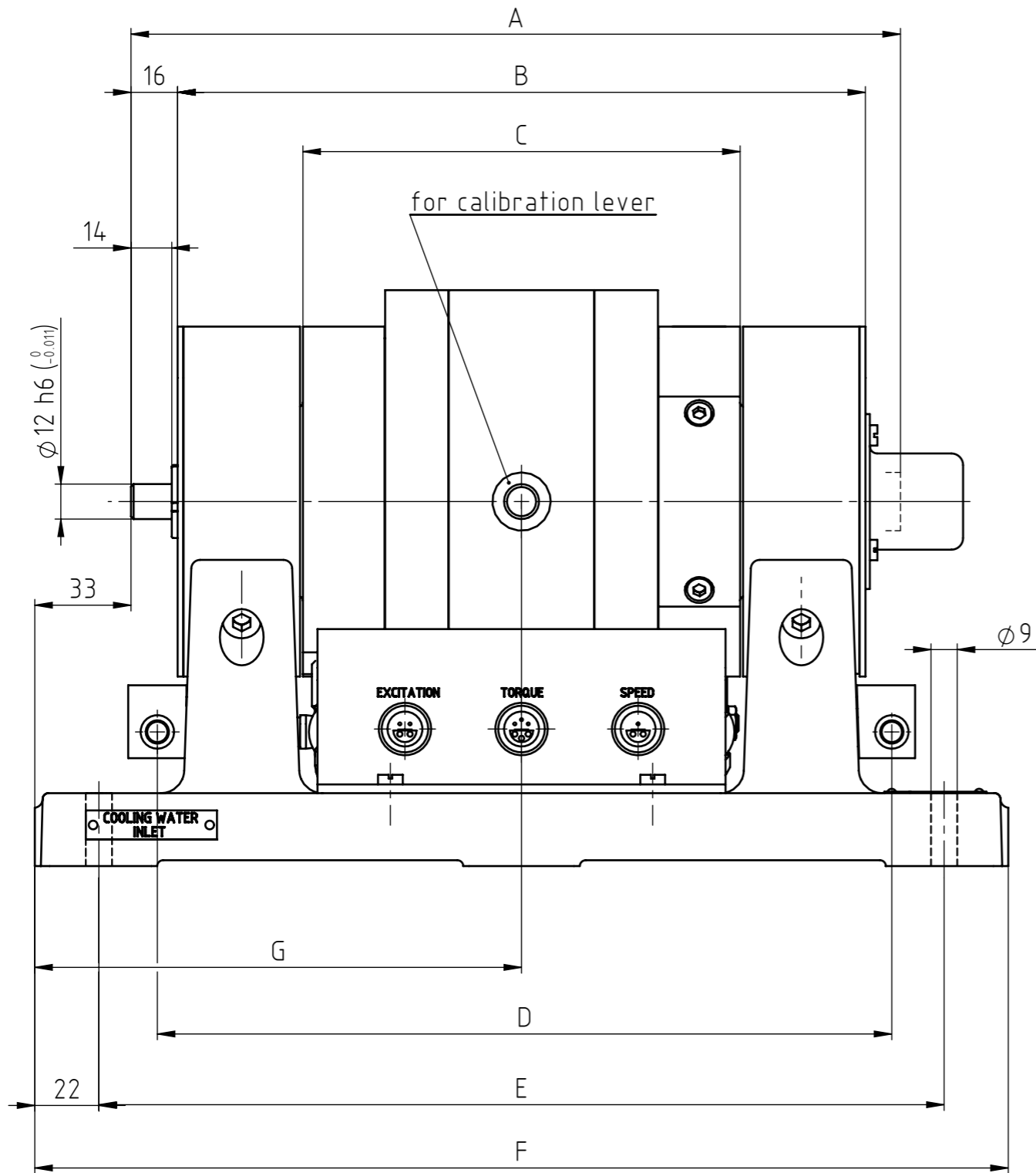
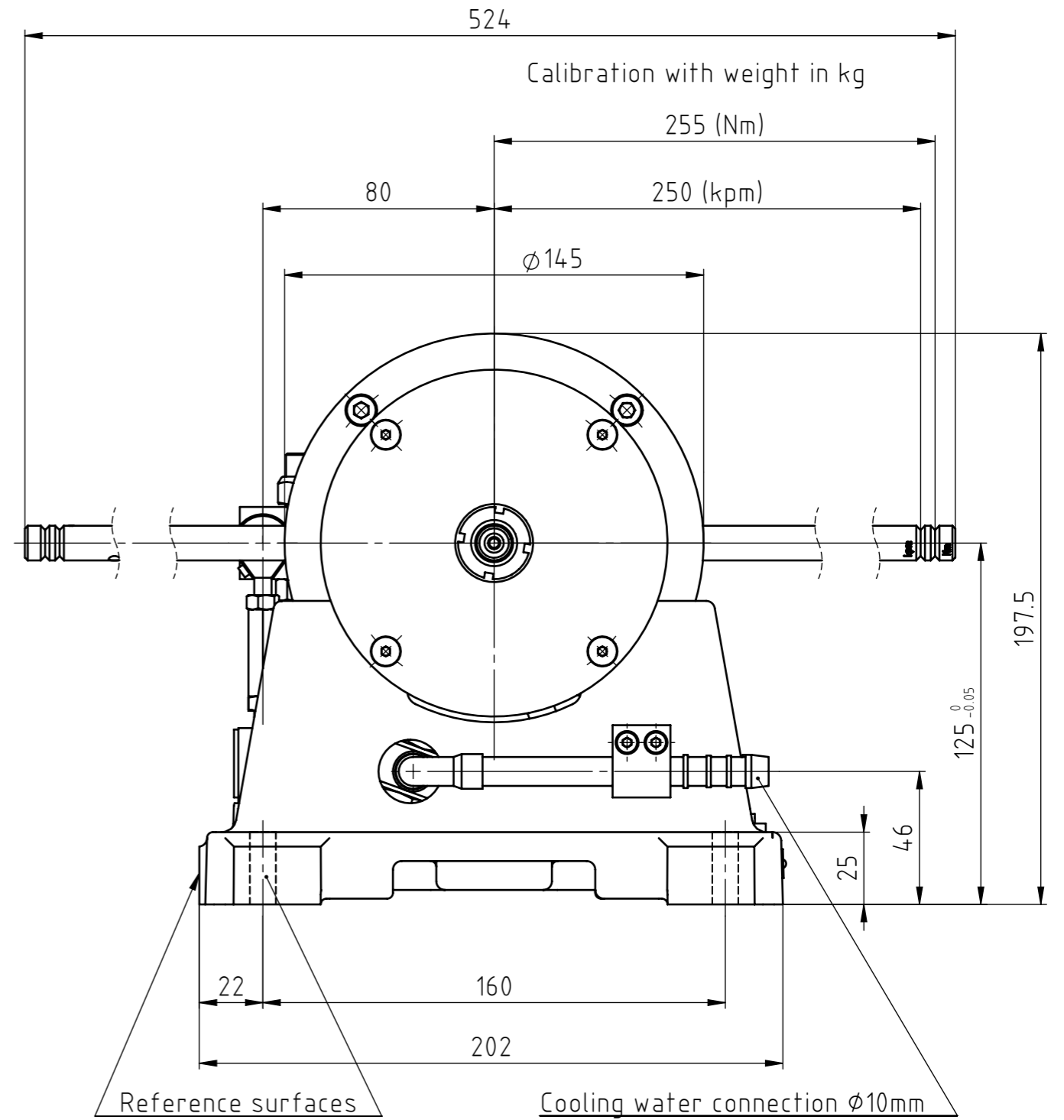


THE INFORMATION DISCLOSED HEREIN WAS ORIGINATED BY AND IS THE PROPERTY OF MAGTROL SA. MAGTROL SA RESERVES ALL PATENT PROPRIETARY, DESIGN, USE, SALE, MANUFACTURING AND REPRODUCTION RIGHTS THERETO.



| Type | A | B | C | D | E | F | G |
|----------|-----|-----|-----|-----|-----|-----|-----|
| 1WB43-HS | 218 | 186 | 100 | 202 | 240 | 284 | 153 |
| 2WB43-HS | 268 | 236 | 150 | 252 | 290 | 334 | 167 |



| | | | | | | | | | |
|--|------|----|-------|-------|-------------|------------|--|-----------------|--|
| 6 | | | | | | | | | |
| 5 | | | | | | | | | |
| 4 | | | | | | | | | |
| 3 | | | | | | | | | |
| 2 | | | | | | | | | |
| 1 | | | | | | | | | |
| Rev. | Date | PM | Drawn | Appr. | Repl. by : | | | | |
| | | | | | Repl. for : | | | | |
| Tolerances: \pm . . . mm to 50mm, \pm . . . mm over 50mm | | | | | | | | | |
| Material: . . . | | | | | | Scale | | DRAWING N° | |
| Finish: . . . | | | | | | 1:2 | | 311-211-000V062 | |
| Dynamometers | | | | | | DRAWING N° | | 311-211-000V062 | |
| 1+2WB43-HS | | | | | | | | | |



| | | |
|----------|------------|------|
| Drawn | 31.10.2017 | ajoy |
| Checked | | |
| Approved | 31.10.2017 | blot |