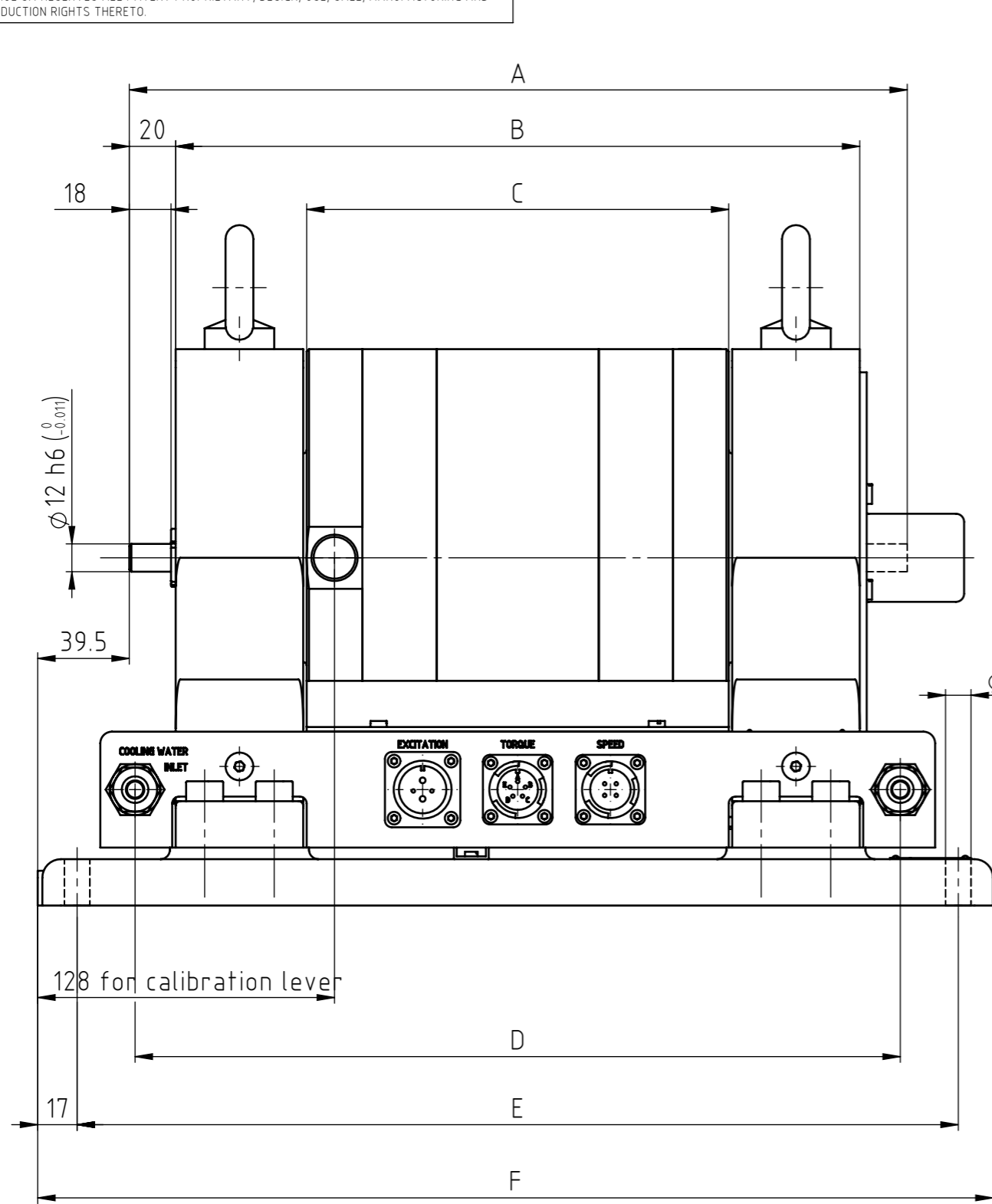
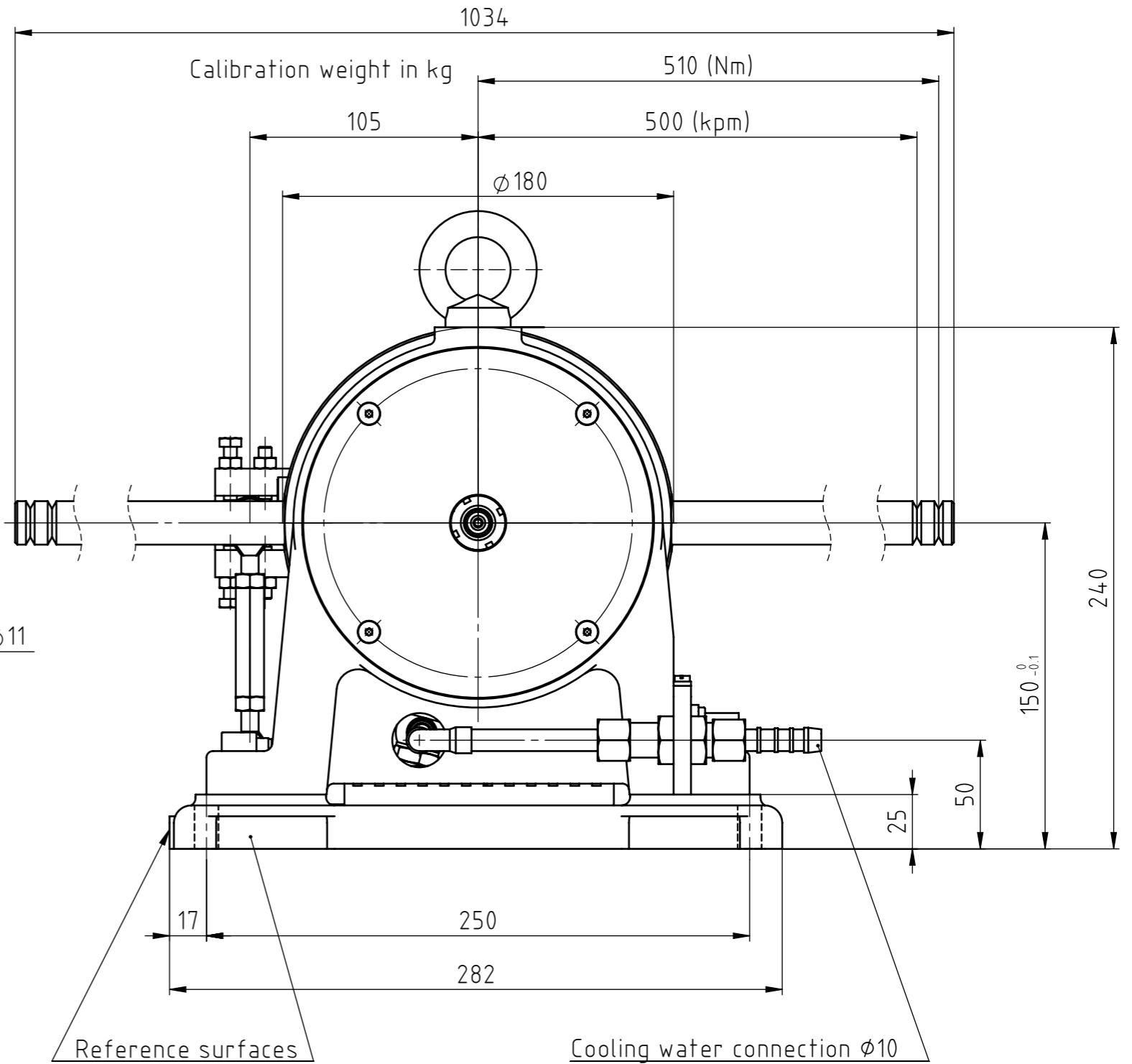


THE INFORMATION DISCLOSED HEREIN WAS ORIGINATED BY AND IS THE PROPERTY OF MAGTROL SA. MAGTROL SA RESERVES ALL PATENT PROPRIETARY, DESIGN, USE, SALE, MANUFACTURING AND REPRODUCTION RIGHTS THERETO.



Type	A	B	C	D	E	F
1WB65-HS	265.5	225	112	260	310	342
2WB65-HS	335.5	295	182	330	380	412



6											
5											
4											
3											
2											
1											
Rev.	Date	PM	Drawn	Appr.	Repl. by :						
					Repl. for :						
Tolerances: \pm mm to 50mm, \pm mm over 50mm											
Material:						Scale 1:2.5					
Finish:						DRAWING N°					
Dynamometers 1-2WB65-HS						312-111-000V061					
						<table border="1"> <tr> <td>Drawn</td> <td>13.11.2017</td> <td>ajoy</td> </tr> <tr> <td>Checked</td> <td></td> <td></td> </tr> <tr> <td>Approved</td> <td></td> <td></td> </tr> </table>			Drawn	13.11.2017	ajoy
Drawn	13.11.2017	ajoy									
Checked											
Approved											

