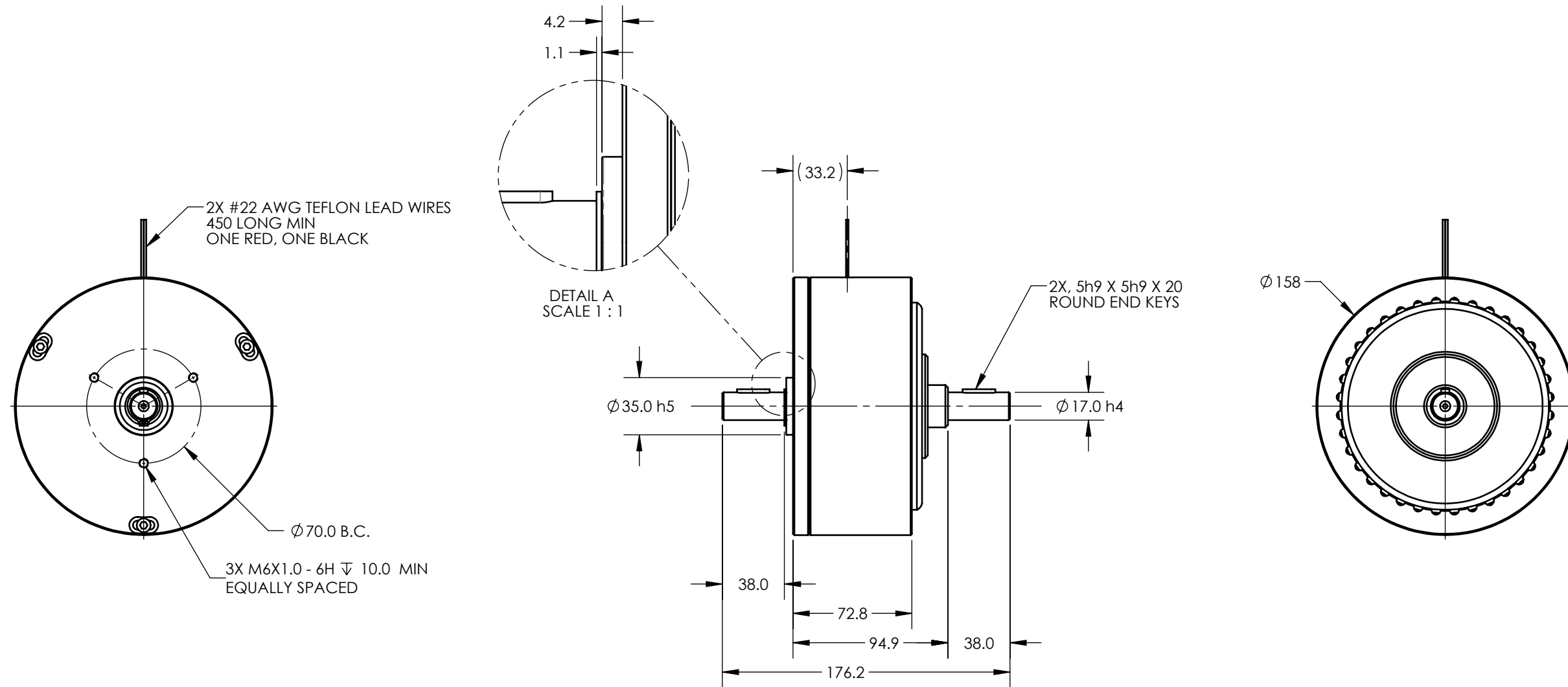
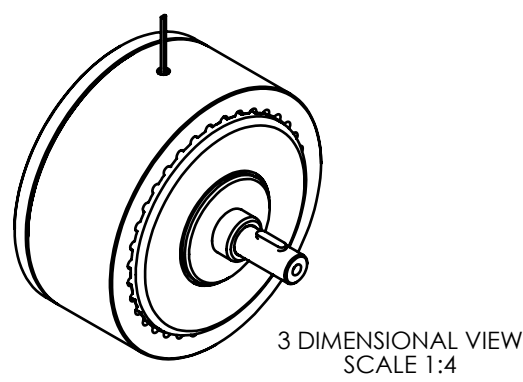



SOLID MODEL AVAILABLE

MODEL	COIL NUMBER (-X)	STOCK CODE	MINIMUM TORQUE AT RATED CURRENT (Nm)	RATED CURRENT (mA)	RESISTANCE ±10% @ 25°C (ohms)	VOLTAGE (Vdc)	NOMINAL POWER (watts)	MAXIMUM SPEED (RPM)	KINETIC POWER RATINGS		DE-ENERGIZED DRAG TORQUE @ 1000 RPM (Nm)	EXTERNAL INERTIA (kg cm ²)	TORQUE TO INERTIA RATIO (rad/s ²)
									5 MINUTE (watts)	CONTINUOUS (watts)			
HB-750M-X	-1 (90 Vdc)	005462	5.0	107	845	90	9.6	7,000	1,000	200	5.0 X 10 ⁻²	1.14 X 10 ¹	4,370
	-2 (24 Vdc)	004170		383	60	23	8.8						
	-3 (12 Vdc)	005129		690	20	13.8	9.5						



INSTALLATION DRAWING



MATERIAL:	DESIGN	-	-	 MAGTROL INC. 70 GARDENVILLE PKWY, W. BUFFALO, NEW YORK 14224-1322
FINISH:	DRAWN	AJC	07/07/04	
THIRD ANGLE PROJECTION	CHECKED	DTW	07/07/04	TITLE:
THIS DRAWING AND SPECIFICATION CONTAINS PROPRIETARY INFORMATION TO MAGTROL INC. ANY DISCLOSURE OR REPRODUCTION OF THIS DOCUMENT WITHOUT WRITTEN AUTHORIZATION FROM MAGTROL INC. IS EXPRESSLY PROHIBITED	UNLESS OTHERWISE SPECIFIED: DIMENSIONS ARE IN MILLIMETERS DIAMETERS CONCENTRIC: .08 TIR FACES PERPENDICULAR: .08 INTERPRETATION PER ASME Y14.5M-1994 REMOVE ALL BURRS AND BREAK SHARP EDGES 0.13/0.25 X 45° INSIDE CORNERS TO BE R 0.5 MAX TOLERANCES: .X ± .25 X ± .4 .XX ± .13 X° ± 1° SURFACE FINISH 3.2 μm MAX			HB-750M METRIC HYSTERESIS BRAKE
	DWG NO: HB-750M			REV E
SIZE B		SCALE 1:3	SHEET #	