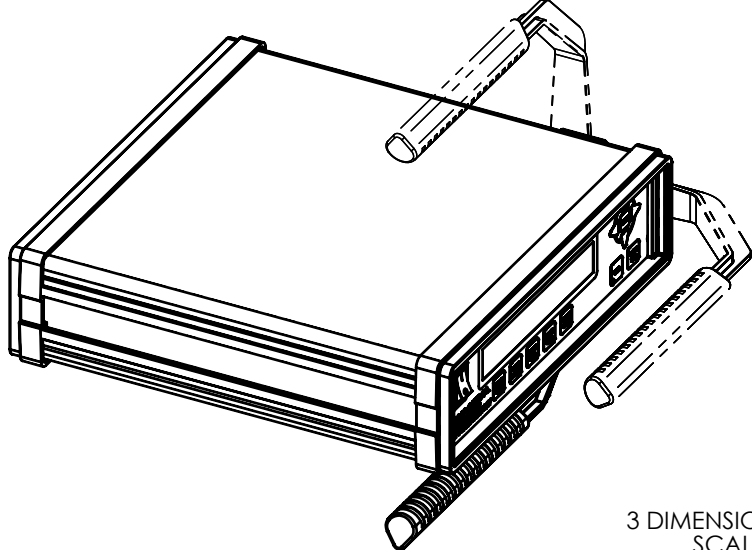
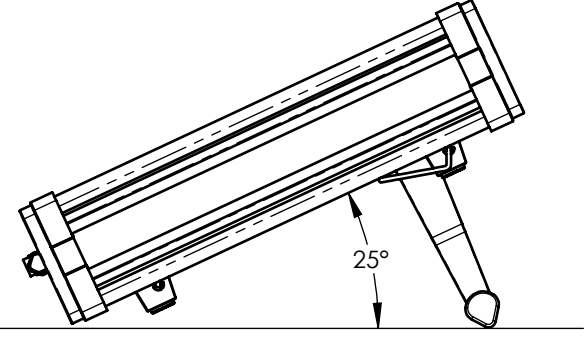
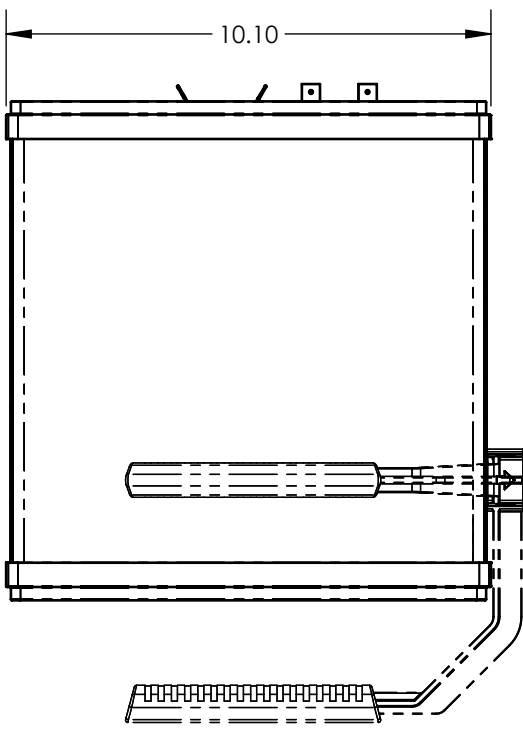
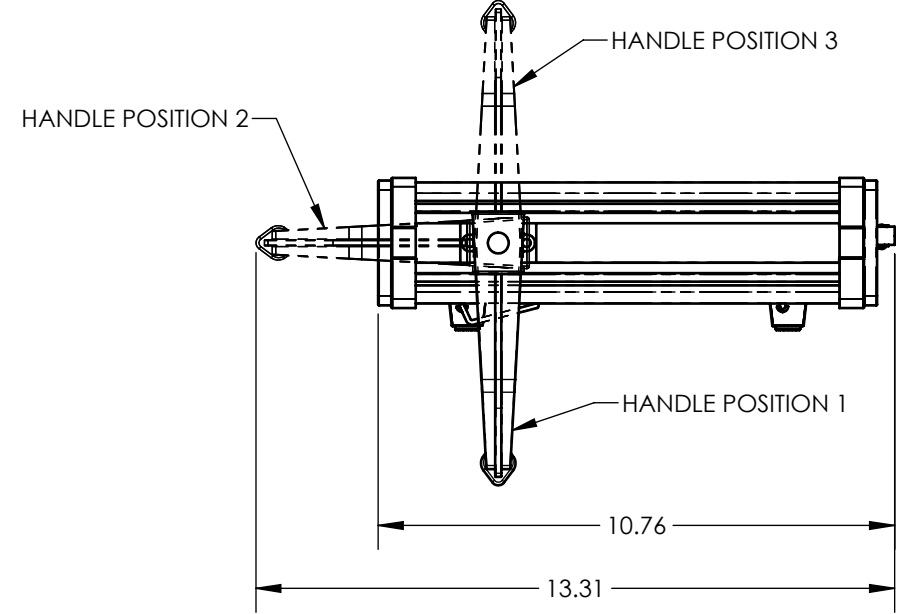
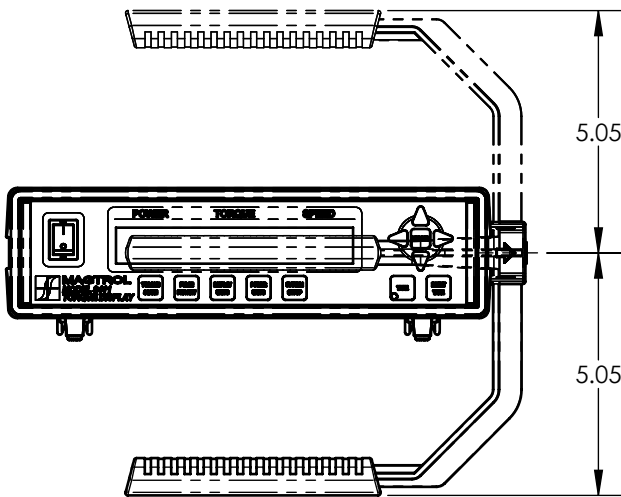



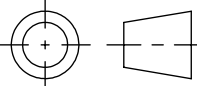
SOLID MODEL AVAILABLE



3 DIMENSIONAL VIEW  
SCALE 1:4



INSTALLATION DRAWING

MATERIAL: -	DESIGN	AJC	06/21/13	 <b>MAGTROL INC.</b> 70 GARDENVILLE PKWY, W. BUFFALO, NEW YORK 14224-1322
	DRAWN	AJC	06/21/13	
FINISH: -	CHECKED	JEF	06/24/13	TITLE: <b>TORQUE DISPLAY WITH HANDLE</b>
	THIRD ANGLE PROJECTION 			UNLESS OTHERWISE SPECIFIED: DIMENSIONS ARE IN INCHES DIAMETERS CONCENTRIC: .003 TIR FACES PERPENDICULAR: .003 INTERPRETATION PER ASME Y14.5M-1994 REMOVE ALL BURRS AND BREAK SHARP EDGES .005/.010 X 45° INSIDE CORNERS TO BE R .02 MAX TOLERANCES: .XX ± .01 X/Y ± 1/64" .XXX ± .005 X° ± 1° SURFACE FINISH 125 RMS MAX
THIS DRAWING AND SPECIFICATION CONTAINS PROPRIETARY INFORMATION TO MAGTROL INC. ANY DISCLOSURE OR REPRODUCTION OF THIS DOCUMENT WITHOUT WRITTEN AUTHORIZATION FROM MAGTROL INC. IS EXPRESSLY PROHIBITED				USED ON: - SIMILAR TO: - DWG NO: <b>3411-HDL</b>
			SIZE <b>B</b> SCALE <b>1:4</b> SHEET #	REV -