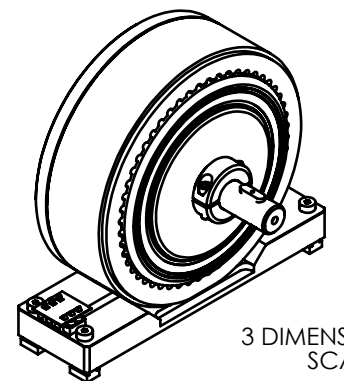
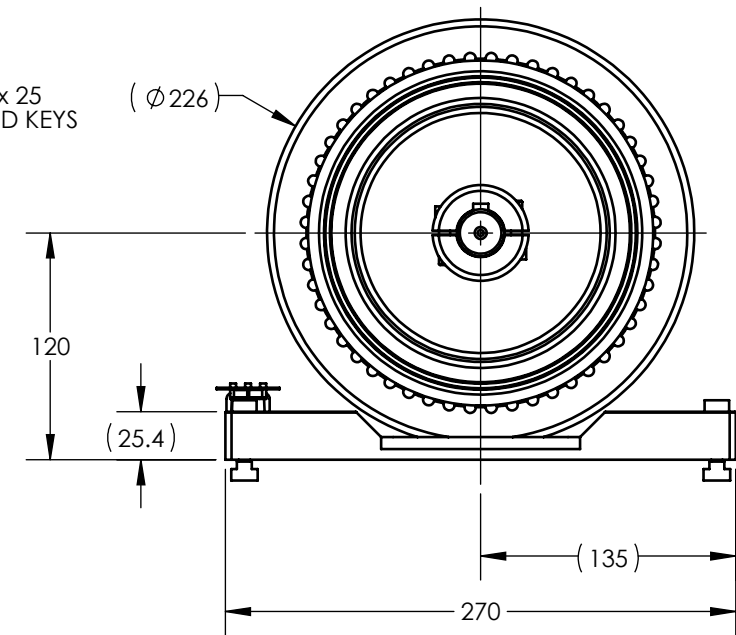
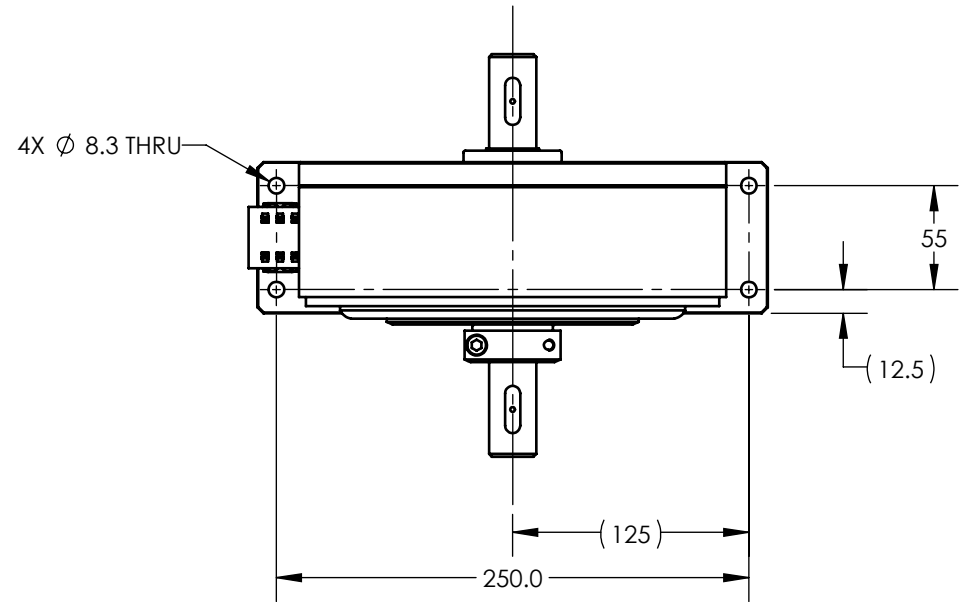
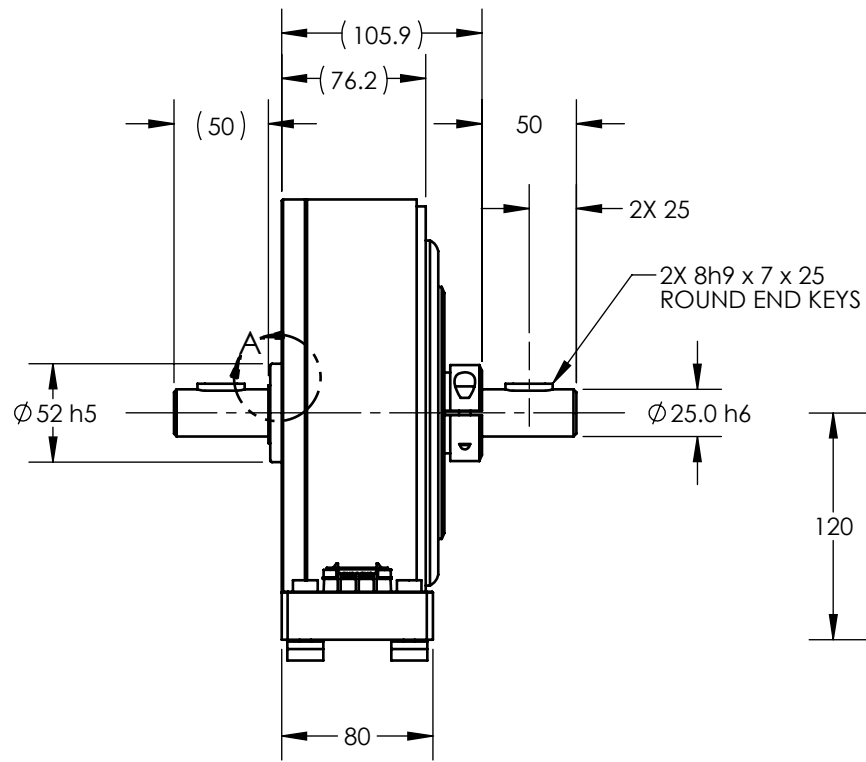
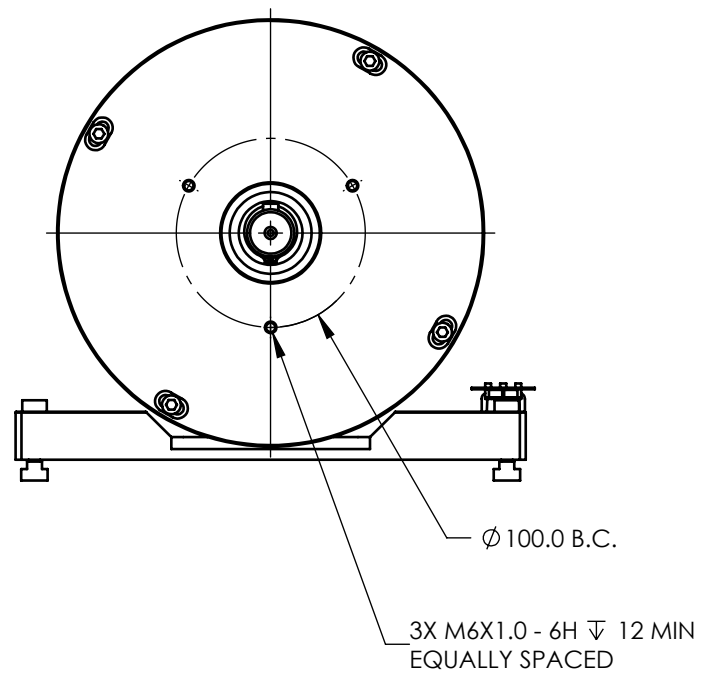
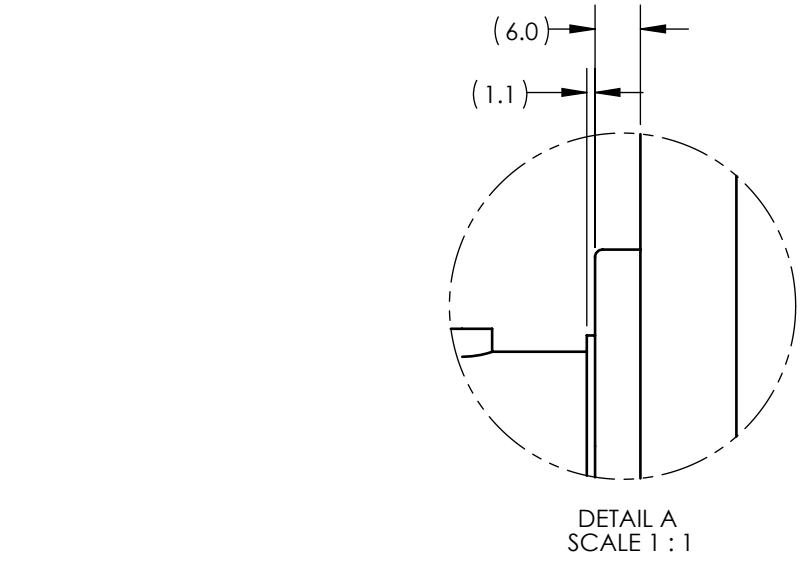


MODEL	STOCK CODE	MINIMUM TORQUE AT RATED CURRENT (Nm)	RATED CURRENT (mA)	RESISTANCE ±10% @ 25°C (ohms)	VOLTAGE (Vdc)	NOMINAL POWER (watts)	MAXIMUM SPEED (RPM)	KINETIC POWER RATINGS		DE-ENERGIZED DRAG TORQUE @ 1000 RPM (Nm)	EXTERNAL INERTIA (kg cm <sup>2</sup> )	TORQUE TO INERTIA RATIO (rad/s <sup>2</sup> )
								5 MINUTE (watts)	CONTINUOUS (watts)			
CHB-12	006918	12.36	500	52	26	13	6,000	1,200	350	9.18 X 10 <sup>-2</sup>	6.25 X 10 <sup>1</sup>	2,070


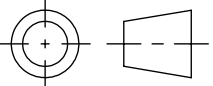
13 Nm IS ATTAINABLE @ APPROXIMATELY 600 mA

SOLID MODEL AVAILABLE



3 DIMENSIONAL VIEW  
SCALE 1:6

INSTALLATION DRAWING

MATERIAL: -	DESIGN	JEF	09/20/12	 <b>MAGTROL INC.</b> 70 GARDENVILLE PKWY, W. BUFFALO, NEW YORK 14224-1322
	DRAWN	JEF	09/20/12	
FINISH: -	CHECKED	DTW	09/26/12	TITLE: <b>HYSTERESIS BRAKE, BASE MOUNTED, 12Nm</b>  USED ON: - SIMILAR TO: HB-1750M, AHB-12 DWG NO: <b>CHB-12</b>
	THIRD ANGLE PROJECTION 	UNLESS OTHERWISE SPECIFIED: DIMENSIONS ARE IN MILLIMETERS DIAMETERS CONCENTRIC: .08 TIR FACES PERPENDICULAR: .08 INTERPRETATION PER ASME Y14.5M-1994 REMOVE ALL BURRS AND BREAK SHARP EDGES 0.13/0.25 X 45° INSIDE CORNERS TO BE R 0.5 MAX TOLERANCES: .X ± .25 X ± .4 .XX ± .13 X° ± 1° SURFACE FINISH 3.2 µm MAX		
THIS DRAWING AND SPECIFICATION CONTAINS PROPRIETARY INFORMATION TO MAGTROL INC. ANY DISCLOSURE OR REPRODUCTION OF THIS DOCUMENT WITHOUT WRITTEN AUTHORIZATION FROM MAGTROL INC. IS EXPRESSLY PROHIBITED				SIZE <b>B</b>
				SCALE <b>1:4</b>
				SHEET # 