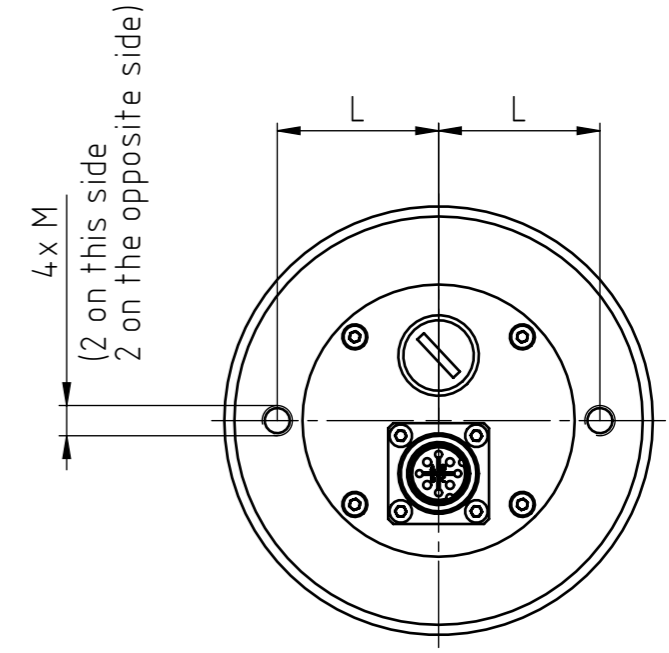
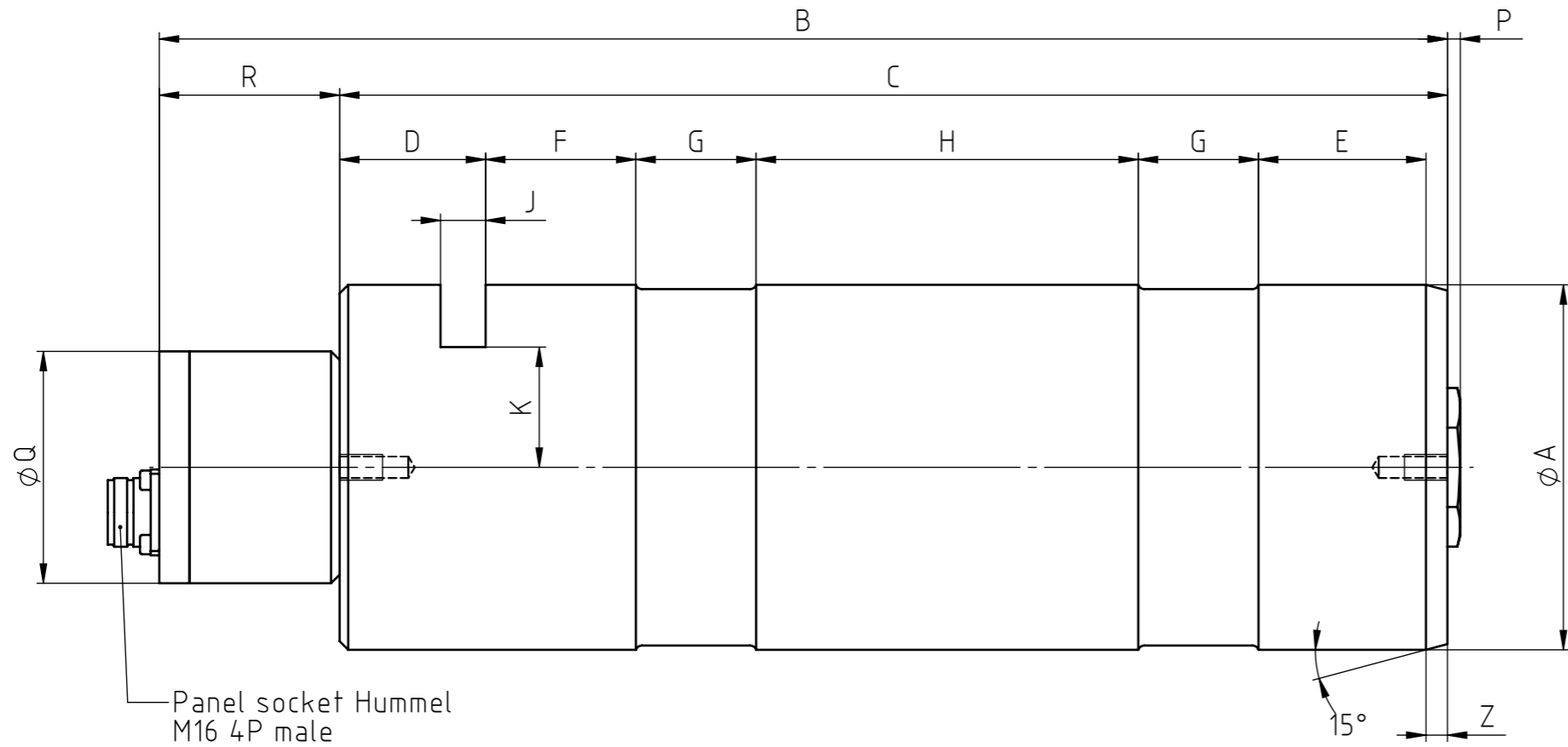
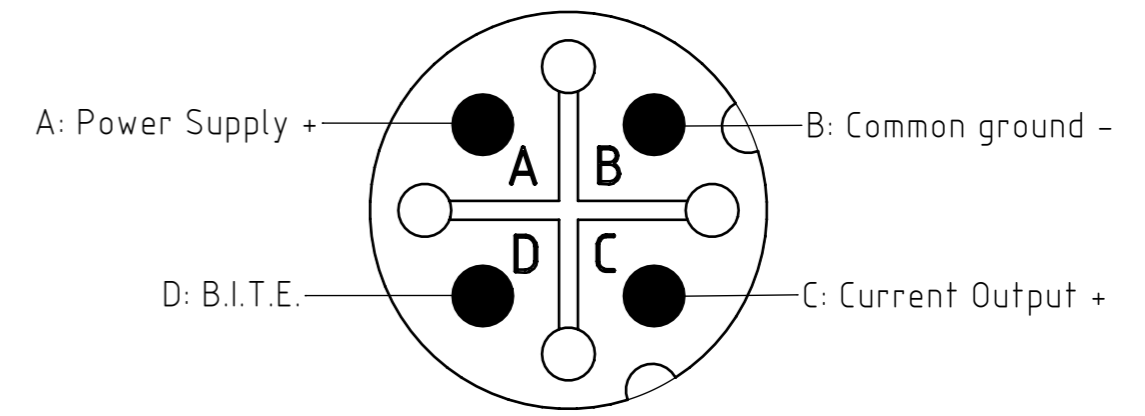


THE INFORMATION DISCLOSED HEREIN WAS ORIGINATED BY AND IS THE PROPERTY OF MAGTROL SA. MAGTROL SA RESERVES ALL PATENT PROPRIETARY, DESIGN, USE, SALE, MANUFACTURING AND REPRODUCTION RIGHTS THERETO.



Including customer version with the same electrical characteristic but with different dimensions

TYPE LE	ØA h6	B	C	D	E	F	G	H	J	K	L	M	P	ØQ	R	Z
LE 410	25	141	84	18	16	10	7	24	5.2	9					57	2
LE 411																
LE 412																
LE 413																
LE 414	35	154	112	25	14	12	12	35	6.3	11.5						
LE 416	50	203	161	32	24	18	18	48	10.5	20			3	54		
LE 417	65	238	196	32	26	20	25	65	10.5	22.5					42	
LE 418	85	300	258	34	39	35	28	89	10.5	28	32	M6				
LE 420	100	389	347	36	61	55	35	120	10.5	36	35	M8				
LE 421	120	389	347	36	61	55	35	120	12.5	40	35	M8				



6																										
5																										
4																										
3																										
2																										
1																										
Rev.	Date	PM	Drawn	Appr.	Repl. by :																					
					Repl. for :																					
Tolerances: ± . . . mm to 50mm, ± . . . mm over 50mm																										
Material: 1.4057						Scale 1:1.5						<table border="1"> <tr> <td>Drawn</td> <td>11.09.2014</td> <td>ajoy</td> </tr> <tr> <td>Checked</td> <td>11.09.2014</td> <td>ydaf</td> </tr> <tr> <td>Approved</td> <td>11.09.2014</td> <td>blot</td> </tr> </table>						Drawn	11.09.2014	ajoy	Checked	11.09.2014	ydaf	Approved	11.09.2014	blot
Drawn	11.09.2014	ajoy																								
Checked	11.09.2014	ydaf																								
Approved	11.09.2014	blot																								
Finish: Single channel												DRAWING N°														
LOAD MEASURING PIN WITH ELECTRONIC 4-20 mA												422-410-000V001														
P/N: 422-4XX-000-001						TYPE: LE 4XX/001																				