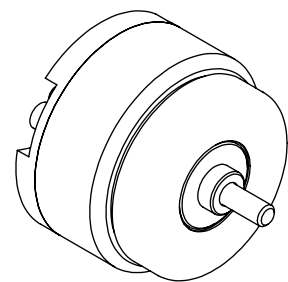
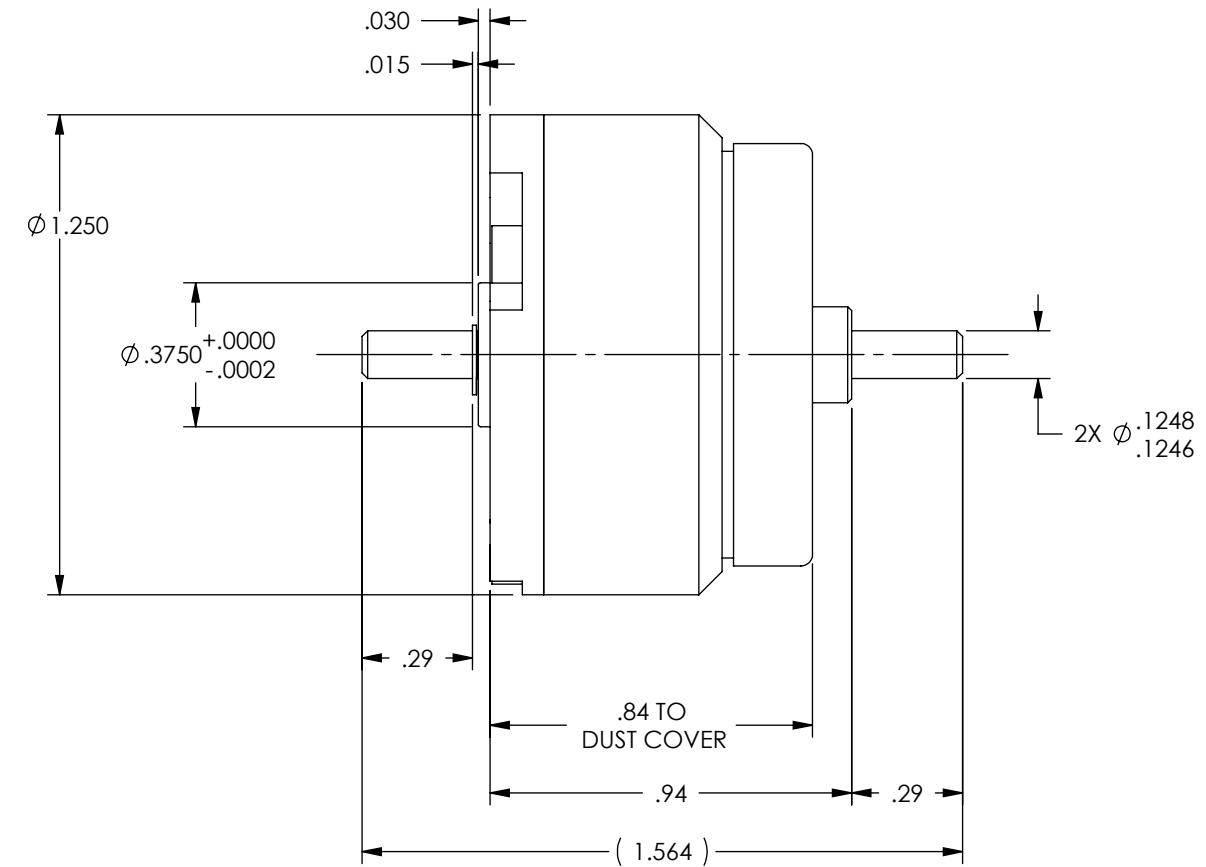
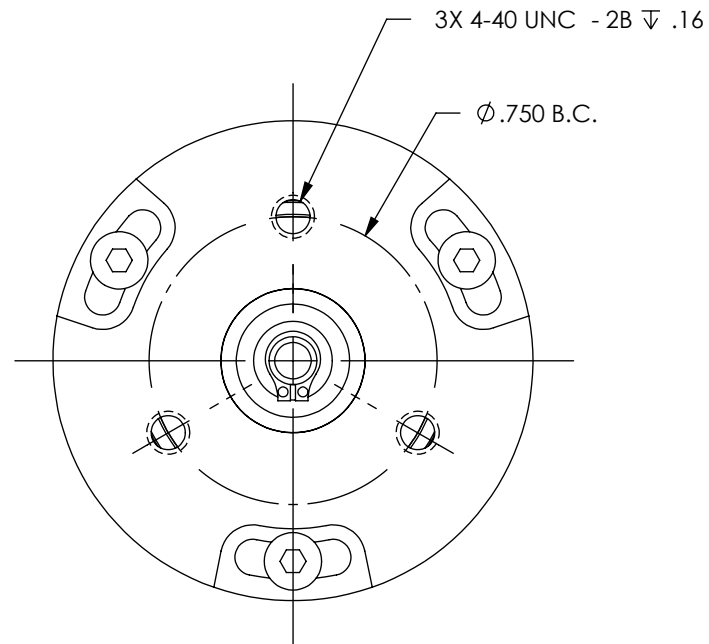

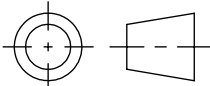


MODEL	STOCK CODE	MINIMUM TORQUE (oz in)	MAXIMUM SPEED (RPM)	KINETIC POWER RATINGS		EXTERNAL INERTIA (lb in s <sup>2</sup> )	TORQUE TO INERTIA RATIO (rad/s <sup>2</sup> )
				5 MINUTE (watts)	CONTINUOUS (watts)		
HPM-2.5	004859	2.5	10,820	20	7	3.8 X 10 <sup>-6</sup>	41,100



3 DIMENSIONAL VIEW  
SCALE 1 : 1

MATERIAL:	DESIGN	-	-	 <b>MAGTROL INC.</b> 70 GARDENVILLE PKWY, W. BUFFALO, NEW YORK 14224-1322
	DRAWN	AJC	08/23/06	
FINISH:	CHECKED	DTW	08/23/06	TITLE <b>HPM-2.5 PERMANENT                  MAGNET BRAKE</b>
THIRD ANGLE PROJECTION 	UNLESS OTHERWISE SPECIFIED: DIMENSIONS ARE IN INCHES, DIAMETERS CONCENTRIC: .003 TIR, FACES PERPENDICULAR: .003 INTERPRETATION PER ASME Y14.5M-1994 REMOVE ALL BURRS AND BREAK SHARP EDGES .005/.010 X 45°, ALL INSIDE CORNERS TO BE .02 R MAX. TOLERANCES: .XX ± .01      FRAC. ± 1/64" .XXX ± .005    ANG. ± 1° SURFACE FINISH 125 RMS MAX. U.O.S.			USED ON: - SIMILAR TO: -
THIS DRAWING AND SPECIFICATION CONTAINS PROPRIETARY INFORMATION TO MAGTROL INC. ANY DISCLOSURE OR REPRODUCTION OF THIS DOCUMENT WITHOUT WRITTEN AUTHORIZATION FROM MAGTROL INC. IS EXPRESSLY PROHIBITED				DWG. NO. <b>HPM-2.5</b>
			SIZE <b>B</b>	SCALE <b>2:1</b>
			SHEET # <b>2 OF 2</b>	REV <b>B</b>