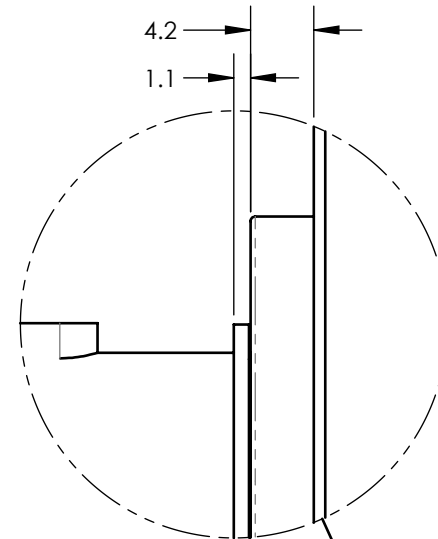
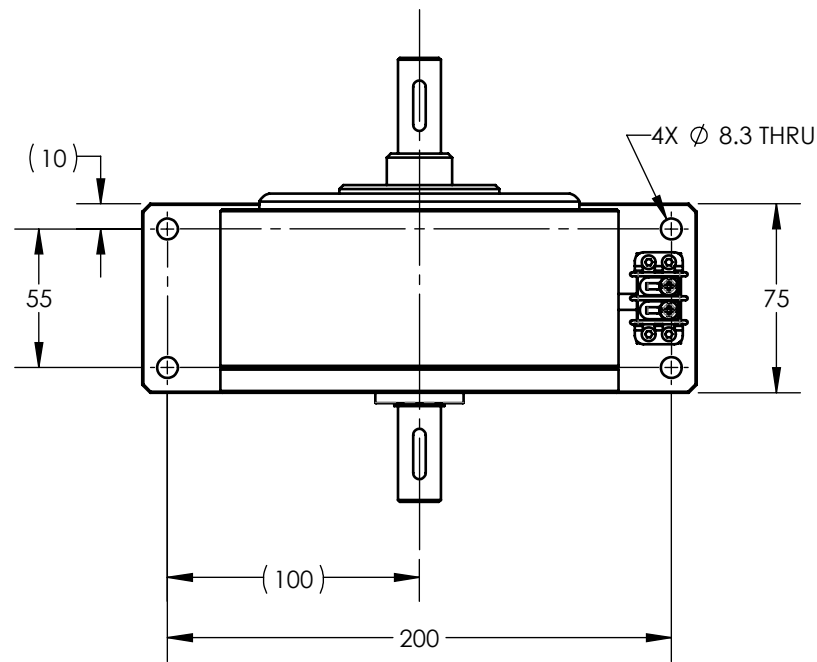
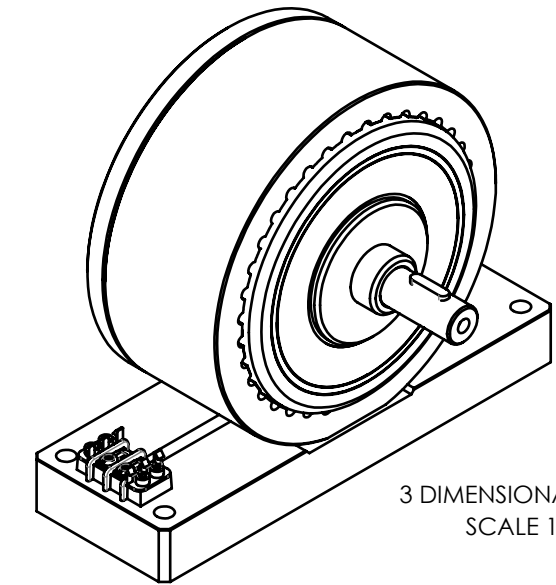


MODEL	STOCK CODE	MINIMUM TORQUE AT RATED CURRENT (Nm)	RATED CURRENT (mA)	RESISTANCE $\pm 10\%$ @ 25°C (ohms)	VOLTAGE (Vdc)	NOMINAL POWER (watts)	MAXIMUM SPEED (RPM)	KINETIC POWER RATINGS		DE-ENERGIZED DRAG TORQUE @ 1000 RPM (Nm)	EXTERNAL INERTIA (kg cm ²)	TORQUE TO INERTIA RATIO (rad/s ²)
								5 MINUTE (watts)	CONTINUOUS (watts)			
CHB-5	007236	5.0	383	60	23	8.8	7,000	1,000	200	5.0×10^{-2}	1.14×10^1	4,370

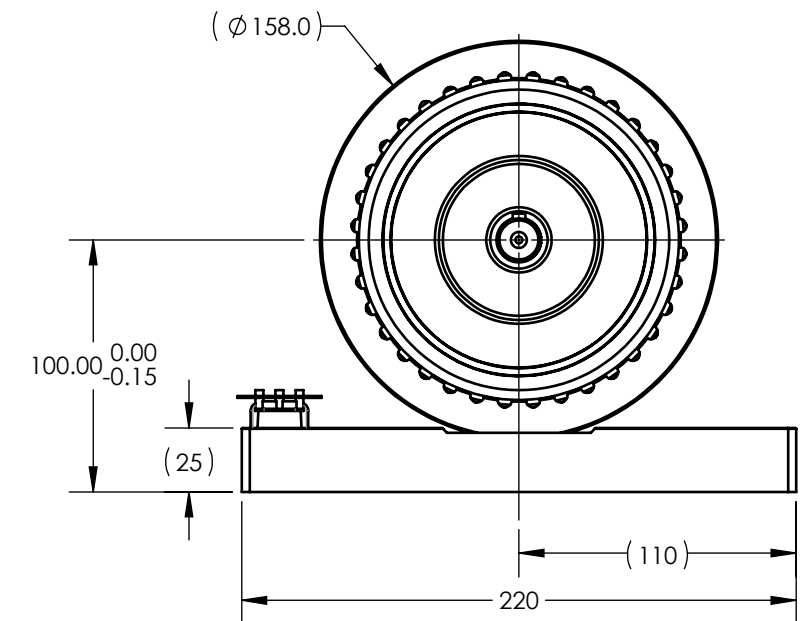
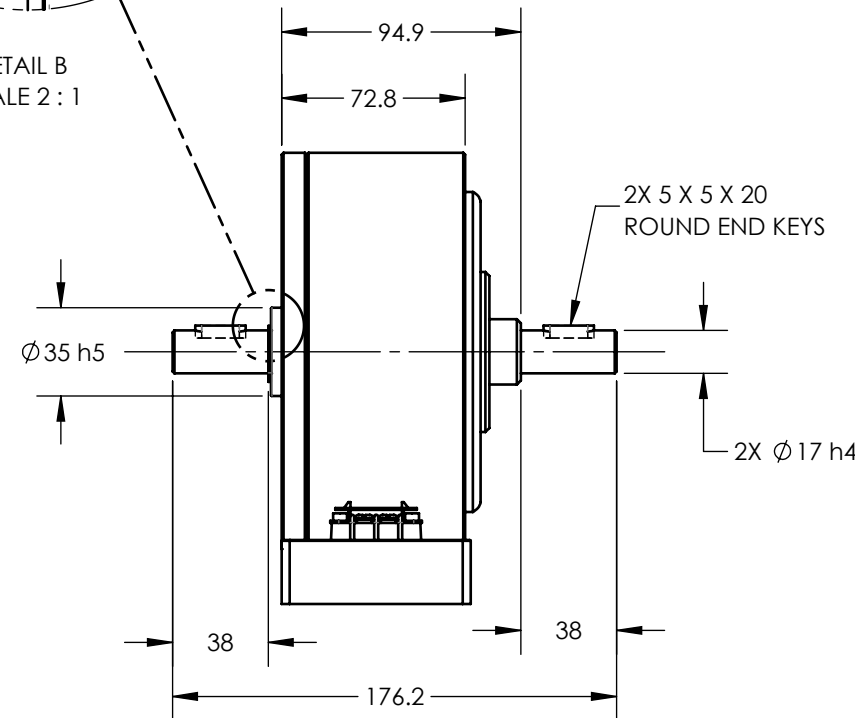
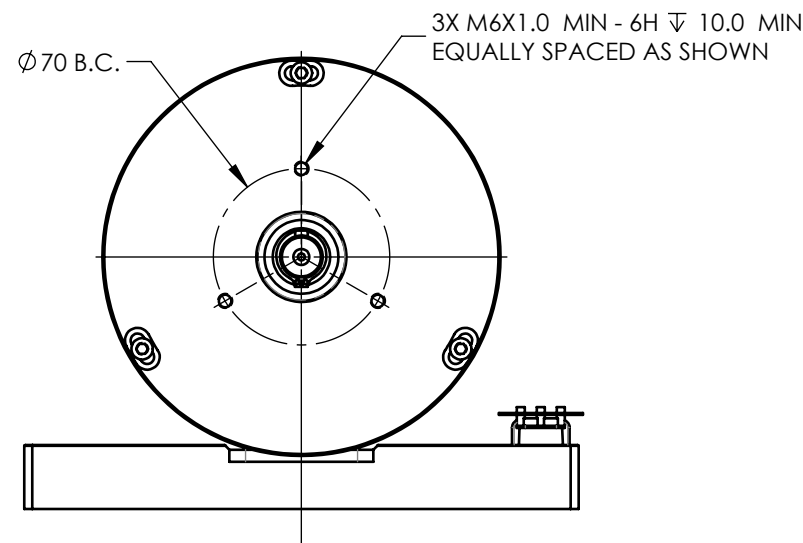
SOLID MODEL AVAILABLE




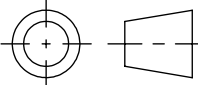
DETAIL B
SCALE 2:1



3 DIMENSIONAL VIEW
SCALE 1:3



INSTALLATION DRAWING

MATERIAL:	DESIGN	AJC	06/11/15	 MAGTROL INC. 70 GARDENVILLE PKWY, W. BUFFALO, NEW YORK 14224-1322
FINISH:	DRAWN	AJC	06/11/15	
	CHECKED	JEF	06/11/15	
THIRD ANGLE PROJECTION				TITLE:
THIS DRAWING AND SPECIFICATION CONTAINS PROPRIETARY INFORMATION TO MAGTROL INC. ANY DISCLOSURE OR REPRODUCTION OF THIS DOCUMENT WITHOUT WRITTEN AUTHORIZATION FROM MAGTROL INC. IS EXPRESSLY PROHIBITED	UNLESS OTHERWISE SPECIFIED: DIMENSIONS ARE IN MILLIMETERS DIAMETERS CONCENTRIC: .08 TIR FACES PERPENDICULAR: .08 INTERPRETATION PER ASME Y14.5M-1994 REMOVE ALL BURRS AND BREAK SHARP EDGES 0.13/0.25 X 45° INSIDE CORNERS TO BE R 0.5 MAX TOLERANCES: .X ± .25 X ± .4 .XX ± .13 X° ± 1° SURFACE FINISH 3.2 µm MAX			CONVECTION COOLED HYSTERESIS BRAKE, METRIC
	USED ON: - SIMILAR TO: - DWG NO:			CHB-5
	SIZE	SCALE	SHEET #	REV
B	1:3		-	