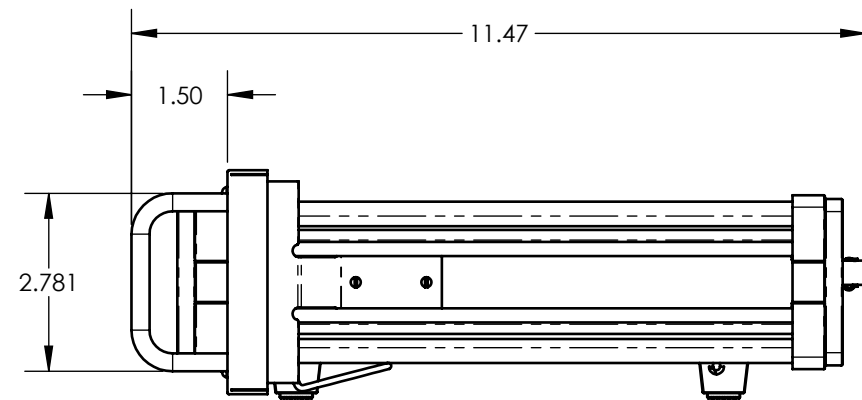
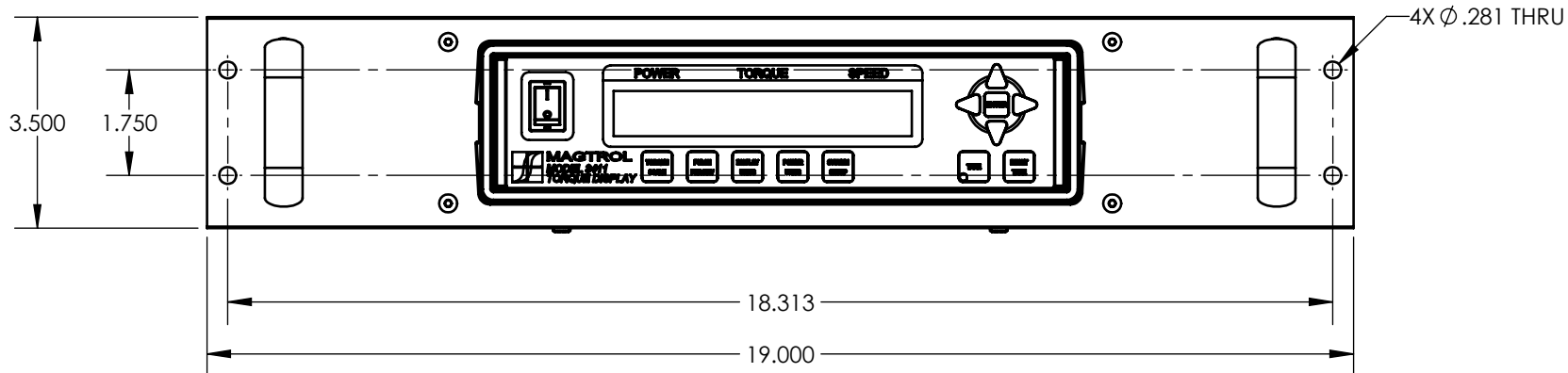
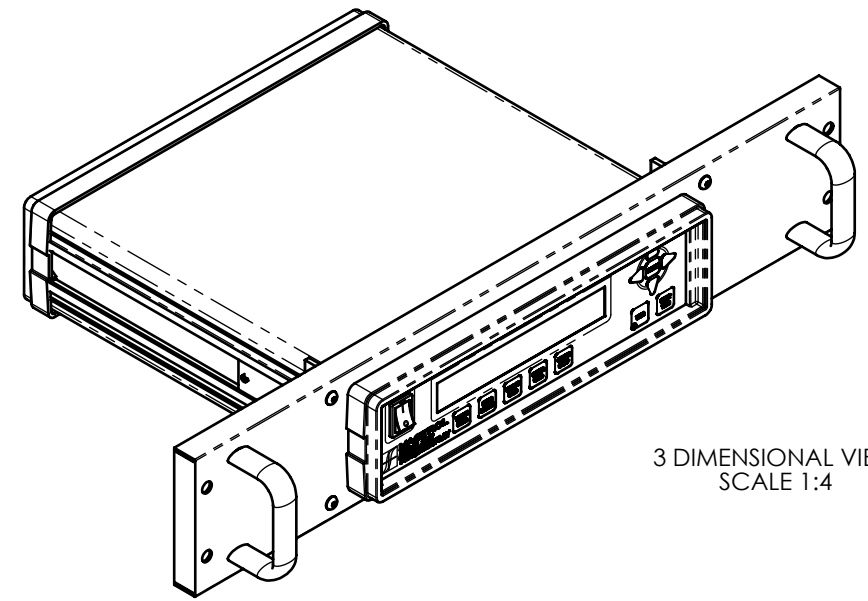
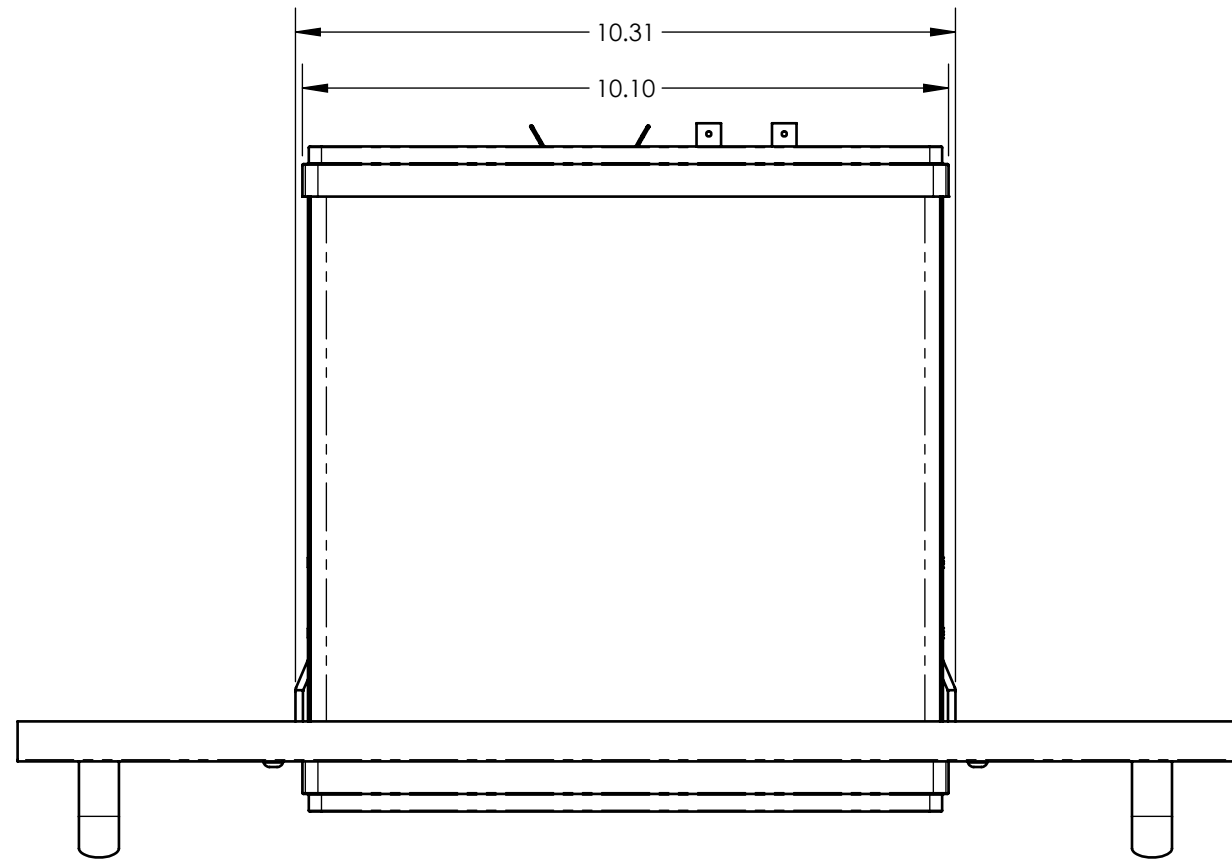

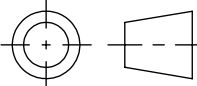


SOLID MODEL AVAILABLE



INSTALLATION DRAWING

MATERIAL: -	DESIGN	AJC	06/21/13	 <b>MAGTROL INC.</b> 70 GARDENVILLE PKWY, W. BUFFALO, NEW YORK 14224-1322	TITLE: <b>TORQUE DISPLAY WITH RACK MOUNT</b>
	DRAWN	AJC	06/21/13		
FINISH: -	CHECKED	JEF	06/24/13	USED ON: -	REV -
	THIRD ANGLE PROJECTION 			SIMILAR TO: -	
THIS DRAWING AND SPECIFICATION CONTAINS PROPRIETARY INFORMATION TO MAGTROL INC. ANY DISCLOSURE OR REPRODUCTION OF THIS DOCUMENT WITHOUT WRITTEN AUTHORIZATION FROM MAGTROL INC. IS EXPRESSLY PROHIBITED				UNLESS OTHERWISE SPECIFIED: DIMENSIONS ARE IN INCHES DIAMETERS CONCENTRIC: .003 TIR FACES PERPENDICULAR: .003 INTERPRETATION PER ASME Y14.5M-1994 REMOVE ALL BURRS AND BREAK SHARP EDGES .005/.010 X 45° INSIDE CORNERS TO BE R .02 MAX TOLERANCES: .XX ± .01 X/Y ± 1/64" .XXX ± .005 X° ± 1° SURFACE FINISH 125 RMS MAX	
				DWG NO:	3411-RMK
			SCALE	1:3	SHEET #