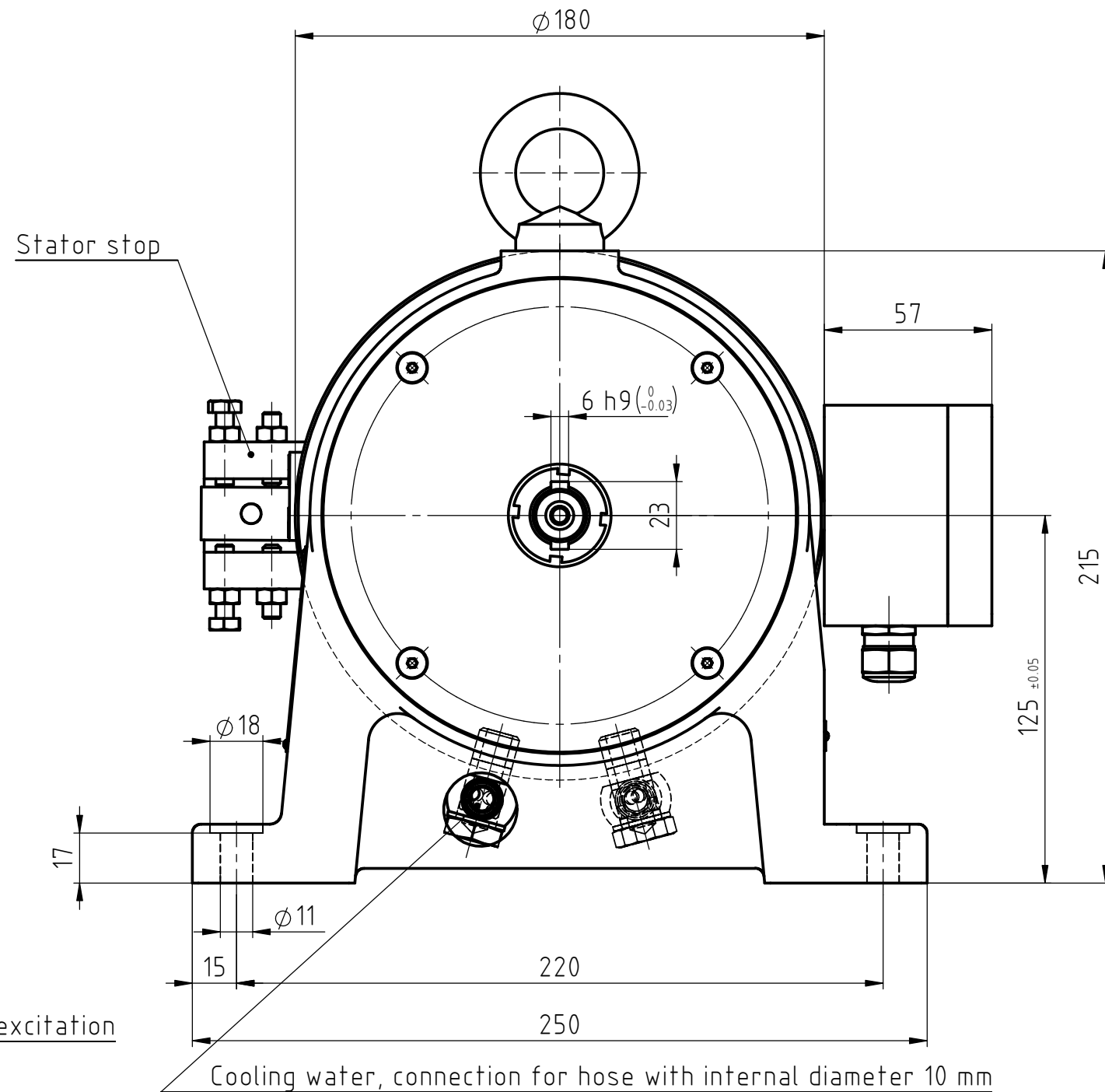
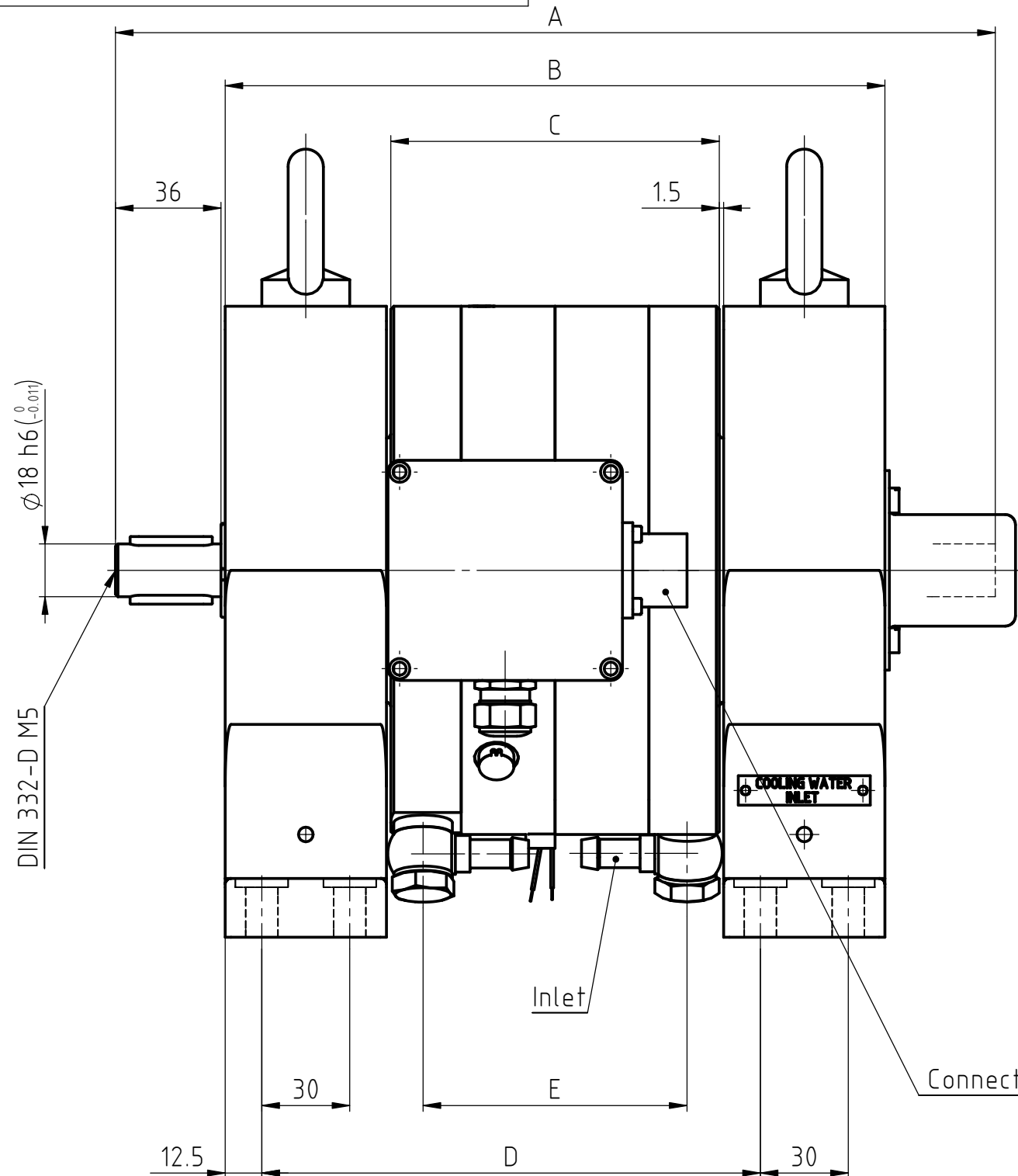


THE INFORMATION DISCLOSED HEREIN WAS ORIGINATED BY AND IS THE PROPERTY OF MAGTROL SA. MAGTROL SA RESERVES ALL PATENT PROPRIETARY, DESIGN, USE, SALE, MANUFACTURING AND REPRODUCTION RIGHTS THERETO.



TYPE		A	B	C	D	E
1WB65-IS	1PB65-IS	300	225	112	170	90
2WB65-IS	2PB65-IS	370	295	182	240	160

6					
5					
4					
3					
2	30.10.98	98478	A.Rappo	-----	Neu mit Anschlussdose
1	26.06.98	-----	A.Rappo	-----	Zeichnungskorrektur
Rev.	Date	PM	Drawn	Appr.	Repl. by :
					Repl. for: 312-104-000V011
Tolerances: ± mm to 50mm, ± mm over 50mm					
Material:					
Finish:					
<h2>Dynamometers</h2> <h3>1+2WB65-IS 1+2PB65-IS</h3>					Scale <b>1:2</b>
					DRAWING N° <b>312-104-000V021</b>
				Drawn 02.05.91 Checked Approved	Giroud

