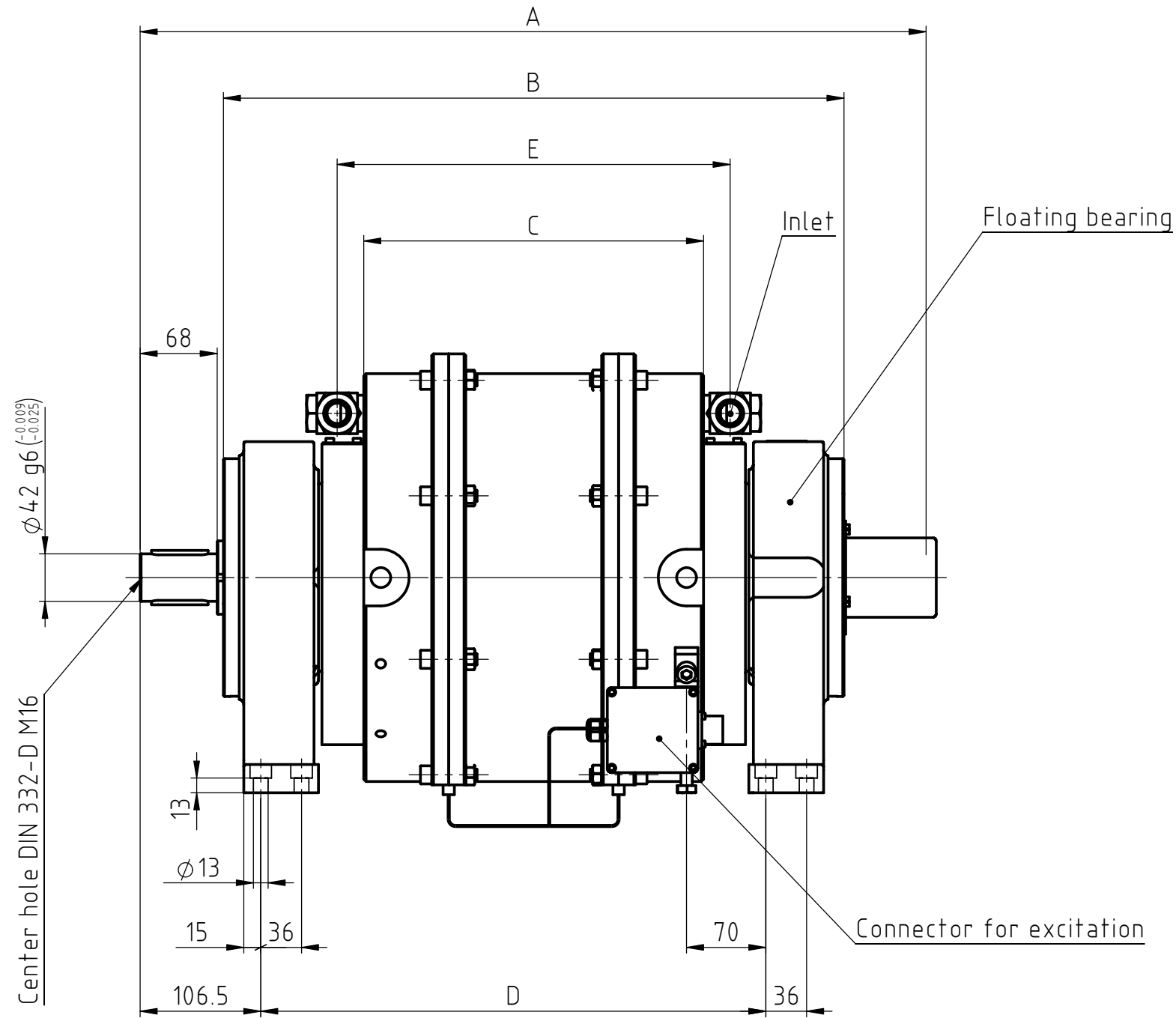
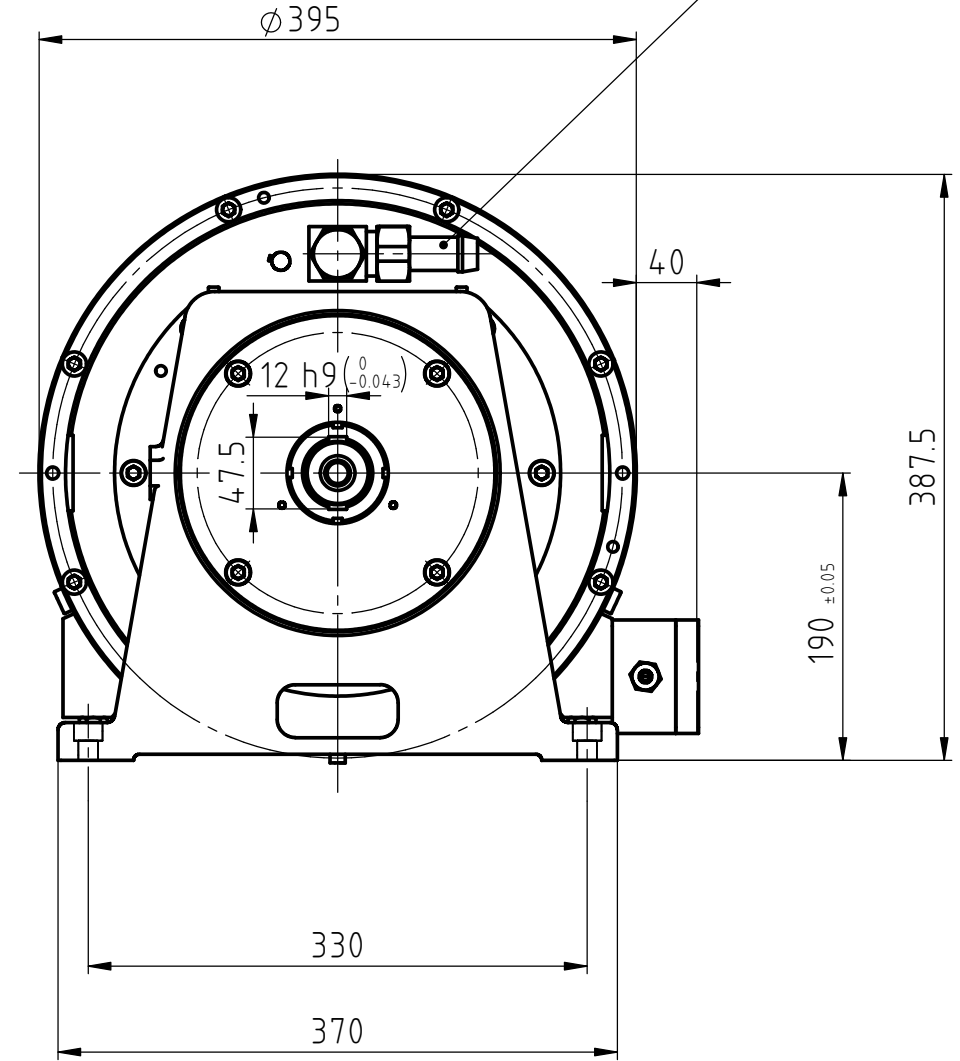


THE INFORMATION DISCLOSED HEREIN WAS ORIGINATED BY AND IS THE PROPERTY OF MAGTROL SA. MAGTROL SA RESERVES ALL PATENT PROPRIETARY, DESIGN, USE, SALE, MANUFACTURING AND REPRODUCTION RIGHTS THERETO.



Cooling water; connection for hose with internal diameter 22mm



Type	A	B	C	D	E
1WB 15-IS / 1PB 15-IS	544	398	150	296	197
2WB 15-IS / 2PB 15-IS	694	548	300	446	347
3WB 15-IS / -----	844	698	450	596	467
4WB 15-IS / 4PB 15-IS	994	848	600	746	647

6									
5									
4									
3									
2									
1									
Rev.	Date	PM	Drawn	Appr.	Repl. by :				
					Repl. for:				
Tolerances: \pm mm to 50mm, \pm mm over 50mm									
Material:						Scale 1:5	Drawn	30.10.98	A.Rappo
Finish:							Checked		
						Approved	03.11.98	N.Buri	
Dynamometers 1÷4WB15-IS 1÷4PB15-IS						DRAWING N°			
						314-104-000V021			