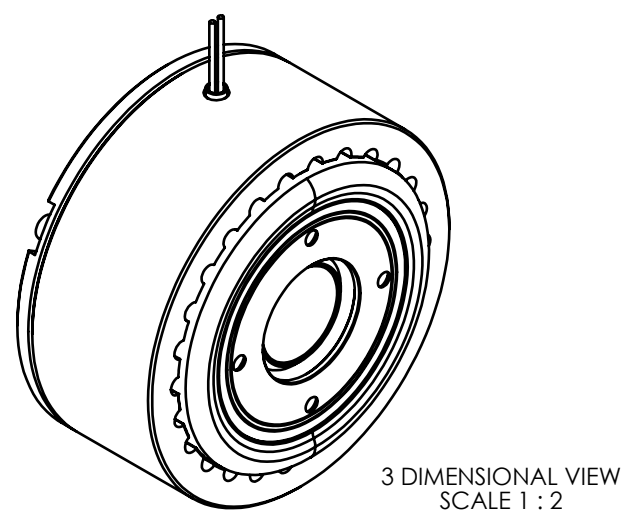
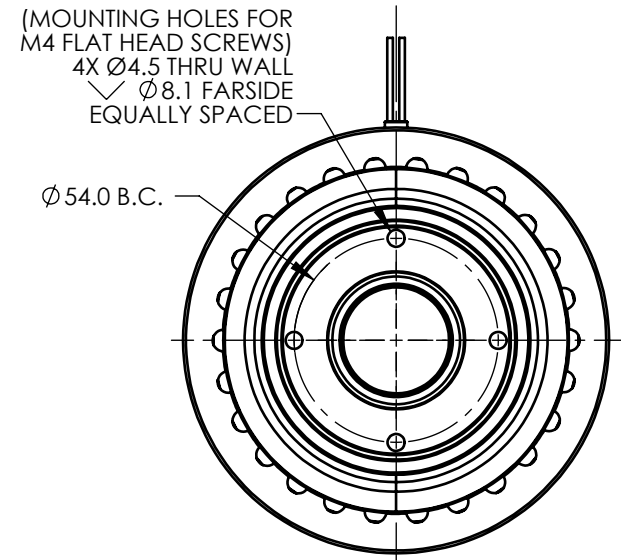
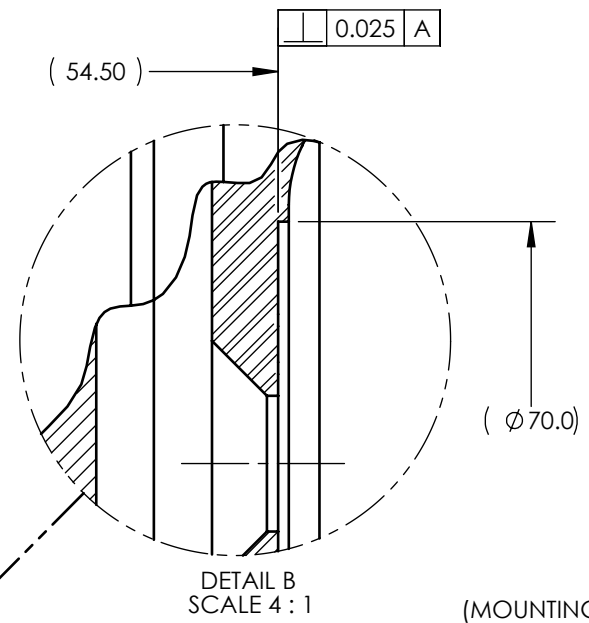
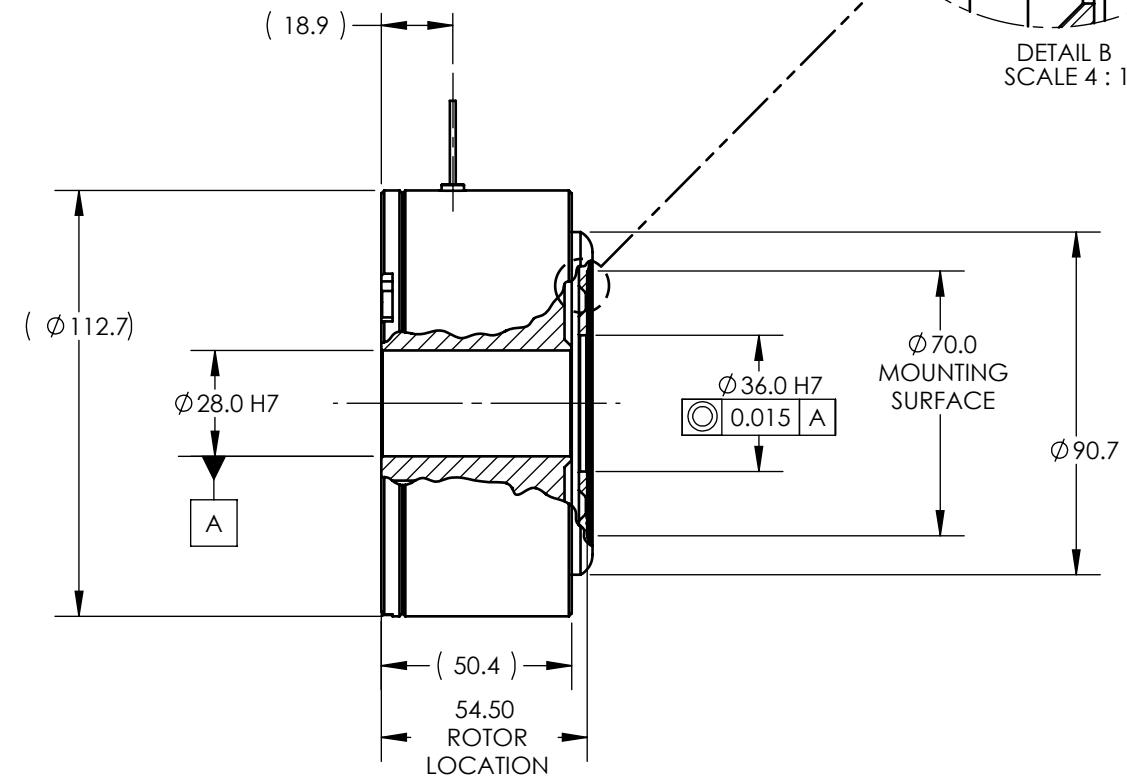
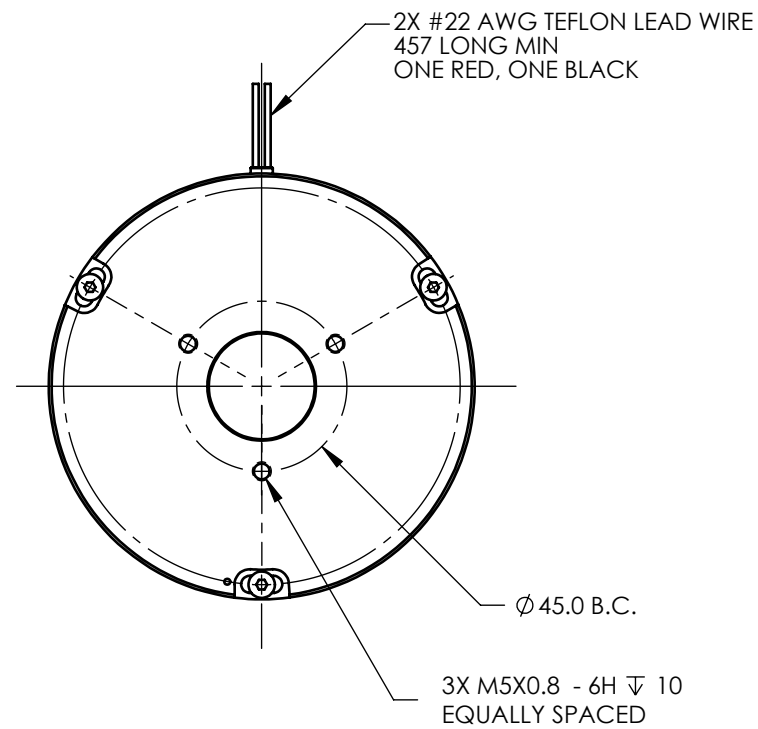


MODEL	COIL NUMBER	STOCK CODE	MINIMUM TORQUE AT RATED CURRENT (Nm)	RATED CURRENT (mA)	RESISTANCE ±10% @ 25°C (ohms)	VOLTAGE (Vdc)	NOMINAL POWER (watts)	MAXIMUM SPEED (RPM)	KINETIC POWER RATINGS	
									5 MINUTE (watts)	CONTINUOUS (watts)
LB-250M	-1 (90 Vdc)	005150	1.5	89	957	84.9	7.54	3,000	450	110
	-2 (24 Vdc)	004134		270	95	25.6	6.99			

SOLID MODEL AVAILABLE



- ALIGNMENT NOTES:**
- THE POLE/CASE ASSEMBLY AND THE ROTOR ARE SHIPPED AS SEPARATE ITEMS.
 - IT IS THE RESPONSIBILITY OF THE MACHINE DESIGNER TO ASSURE PROPER ALIGNMENT OF THE MATING BRAKE PARTS IN THE FINAL ASSEMBLY.
 - THESE COMPONENTS MUST BE MOUNTED SUCH THAT THE CONCENTRICITY AND PERPENDICULARITY BETWEEN THE ROTOR AND POLE DOES NOT EXCEED THE SPECIFIED TOLERANCES.

MATERIAL: -	DESIGN	-	-		MAGTROL INC. 70 GARDENVILLE PKWY, W. BUFFALO, NEW YORK 14224-1322	
	DRAWN	AJC	09/09/03			
FINISH: -	CHECKED	DTW	09/09/03	TITLE: LB-250M LARGE BORE BRAKE		
	THIRD ANGLE PROJECTION			UNLESS OTHERWISE SPECIFIED: DIMENSIONS ARE IN INCHES DIAMETERS CONCENTRIC: .003 TIR FACES PERPENDICULAR: .003 INTERPRETATION PER ASME Y14.5M-1994 REMOVE ALL BURRS AND BREAK SHARP EDGES .005/.010 X 45° INSIDE CORNERS TO BE R .02 MAX TOLERANCES: .XX ± .01 X/Y ± 1/64" .XXX ± .005 X° ± 1° SURFACE FINISH 125 RMS MAX		
THIS DRAWING AND SPECIFICATION CONTAINS PROPRIETARY INFORMATION TO MAGTROL INC. ANY DISCLOSURE OR REPRODUCTION OF THIS DOCUMENT WITHOUT WRITTEN AUTHORIZATION FROM MAGTROL INC. IS EXPRESSLY PROHIBITED				USED ON: -	SIMILAR TO: -	REV C
				DWG NO:	LB-250M	
SIZE B		SCALE 1:1	SHEET #			

INSTALLATION DRAWING