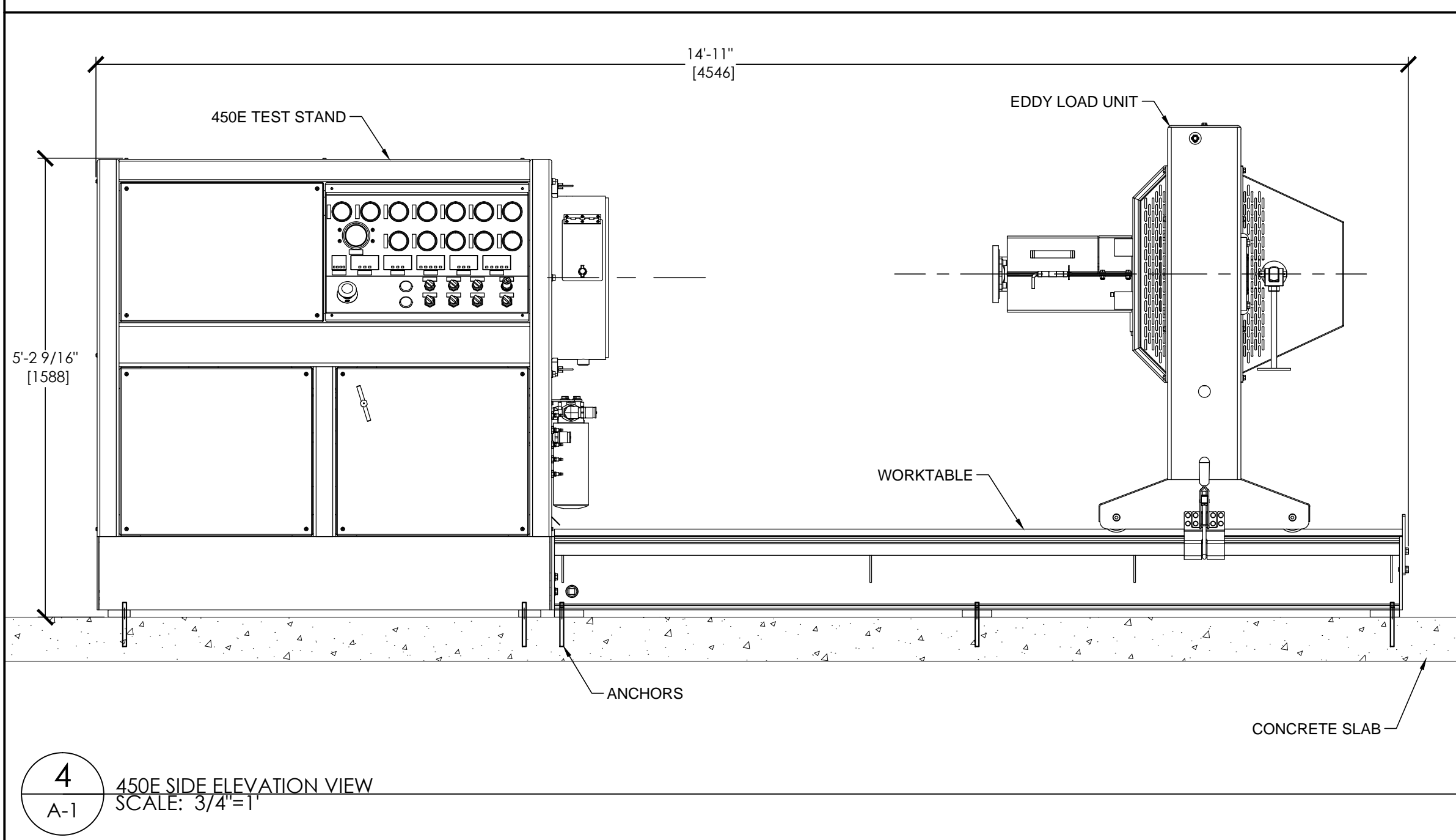
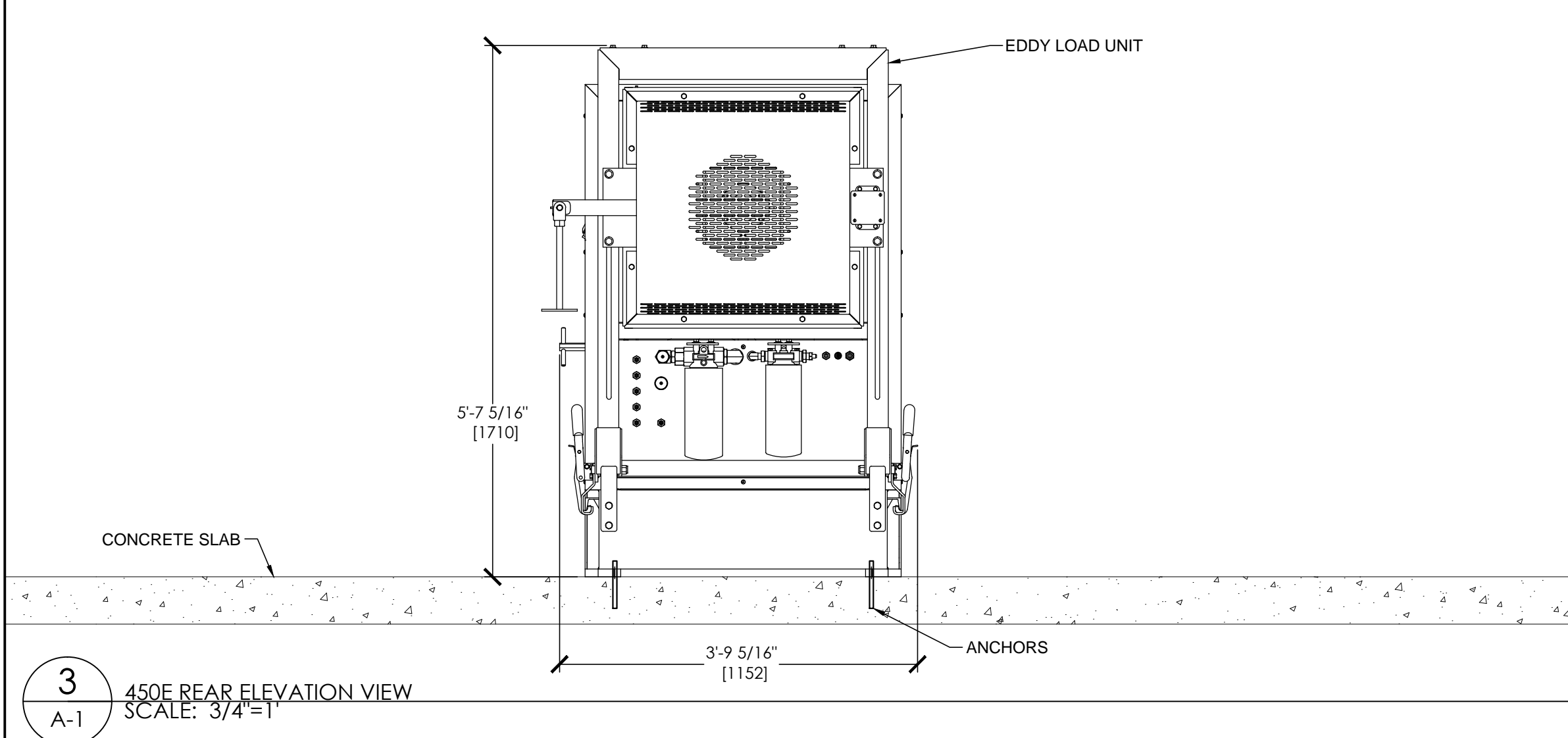
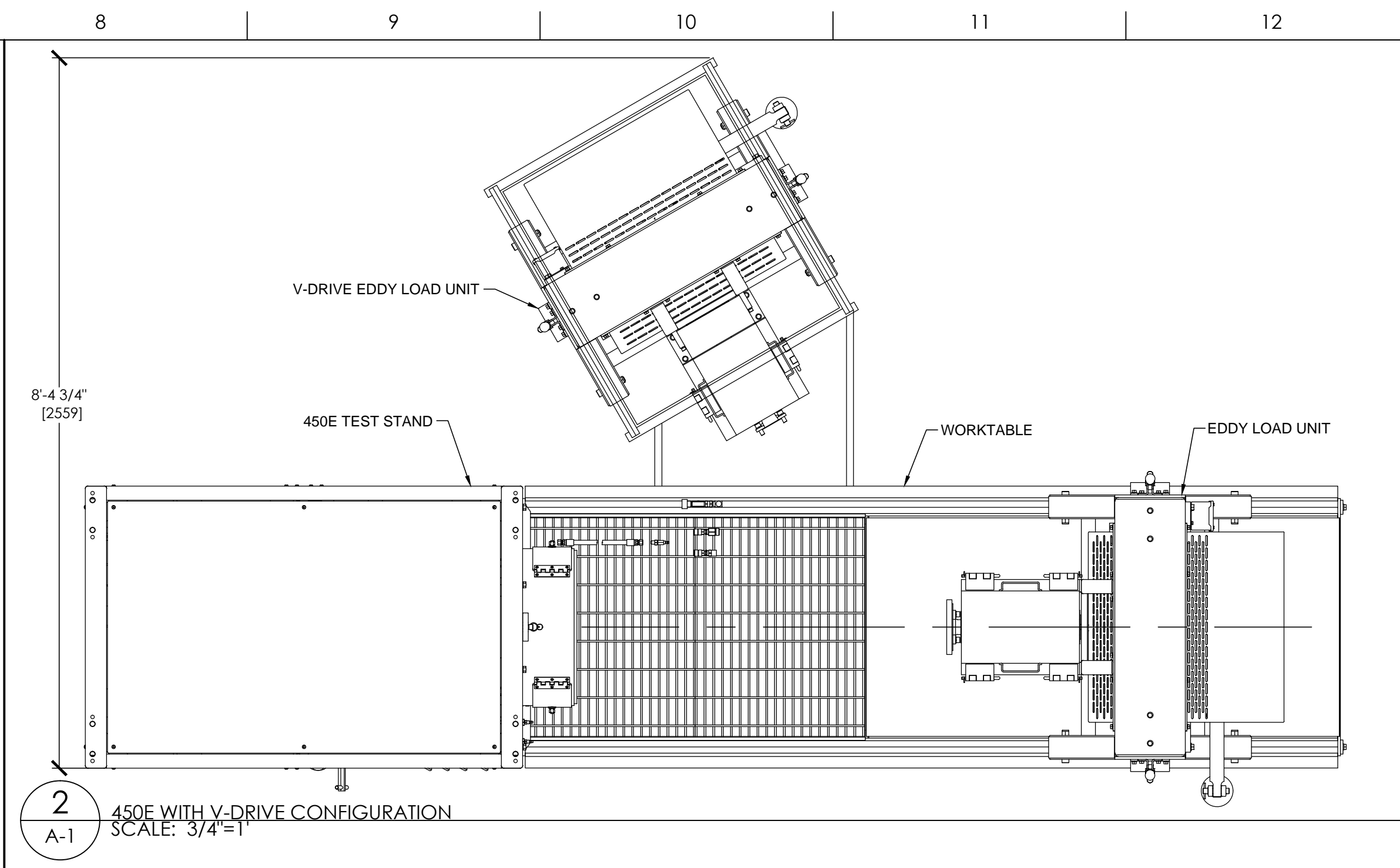
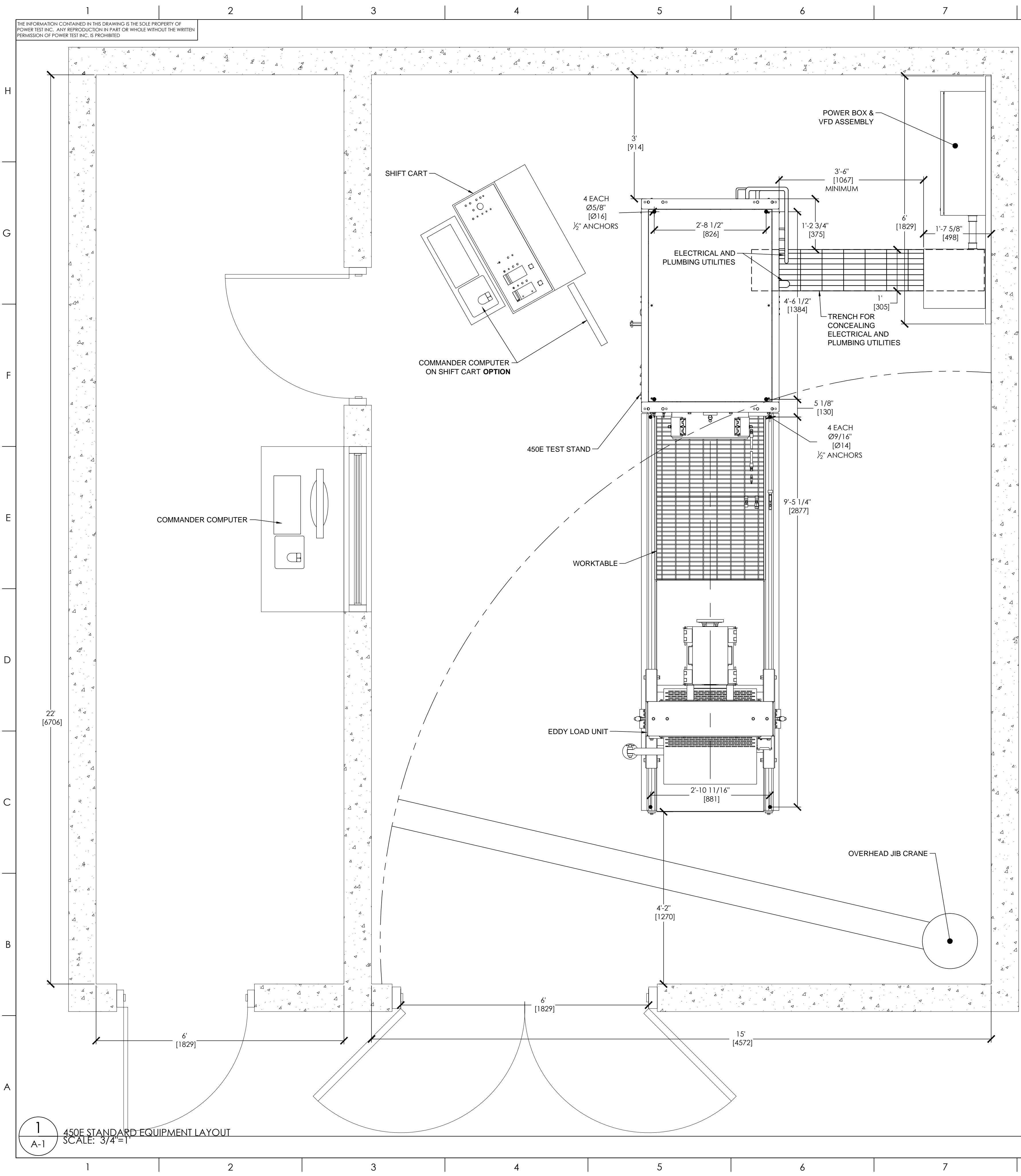


THE INFORMATION CONTAINED IN THIS DRAWING IS THE SOLE PROPERTY OF POWER TEST INC. ANY REPRODUCTION IN PART OR WHOLE WITHOUT THE WRITTEN PERMISSION OF POWER TEST INC. IS PROHIBITED.



REV:	85401R0
DO NOT SCALE DRAWING	
CAD GENERATED DRAWING DO NOT MANUALLY UPDATE	
APPROVALS	DATE
DRAWN BY: DAVIDA	6/11/13
PROCESSED BY:	
REVISION:	
SHEET NO.:	