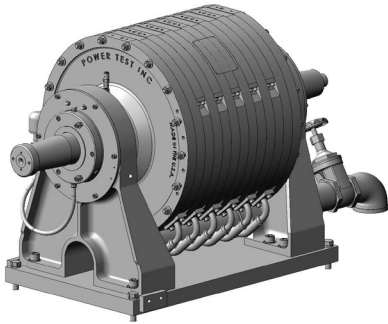


Water Brake Engine Dynamometers - 35X-Series

Гидротормоза -35X для стенда испытания двигателей



72030.06 35X06 Water Brake Engine Dynamometer Shown

Overview

Power Test 35X-Series Water Brake Dynamometers are designed for testing construction, on-highway, mining, power generation and marine applications from 100 HP to 2,100 HP at speeds up to 4,000 RPM.

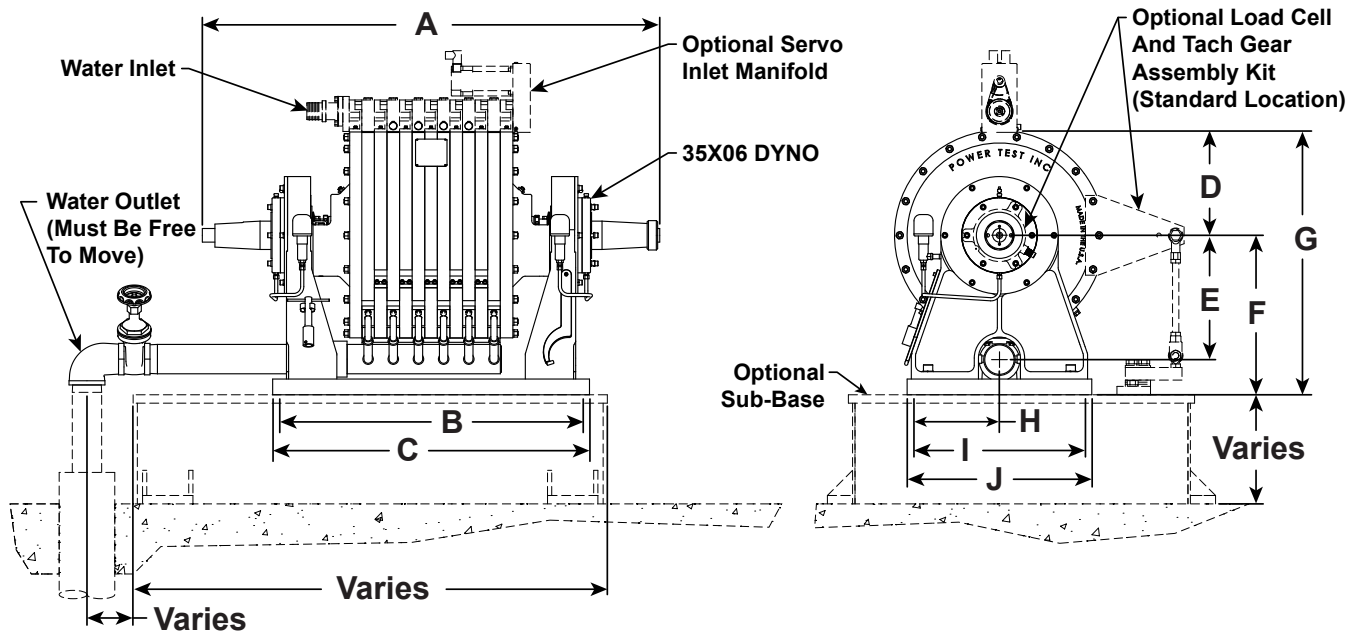
The 35X-Series Water Brake Engine Dynamometers feature:

- The ability to test a wide range of engine displacements on the same dynamometer
- Low-inertia and high absorption characteristics in a compact package
- Through-shaft design allows either end of the dynamometer to be driven and to accept additional dynamometers in tandem plus a variety of accessories including starting systems
- Inlet control allows for low minimum horsepower
- Low minimum loading characteristics
- Equal absorption capabilities in either direction of rotation
- Adjustable absorber seals
- Removable bearing and seal housings to facilitate field servicing without the need for disassembly of the absorber

These trunnion-mounted, fixed-base Water Brake Engine Dynamometers may be used for continuous-duty engine power verification, quality assurance, endurance, and certification testing.

Water Brake Engine Dynamometers - 35X-Series

Схема гидротормоза на стенде испытания двигателей



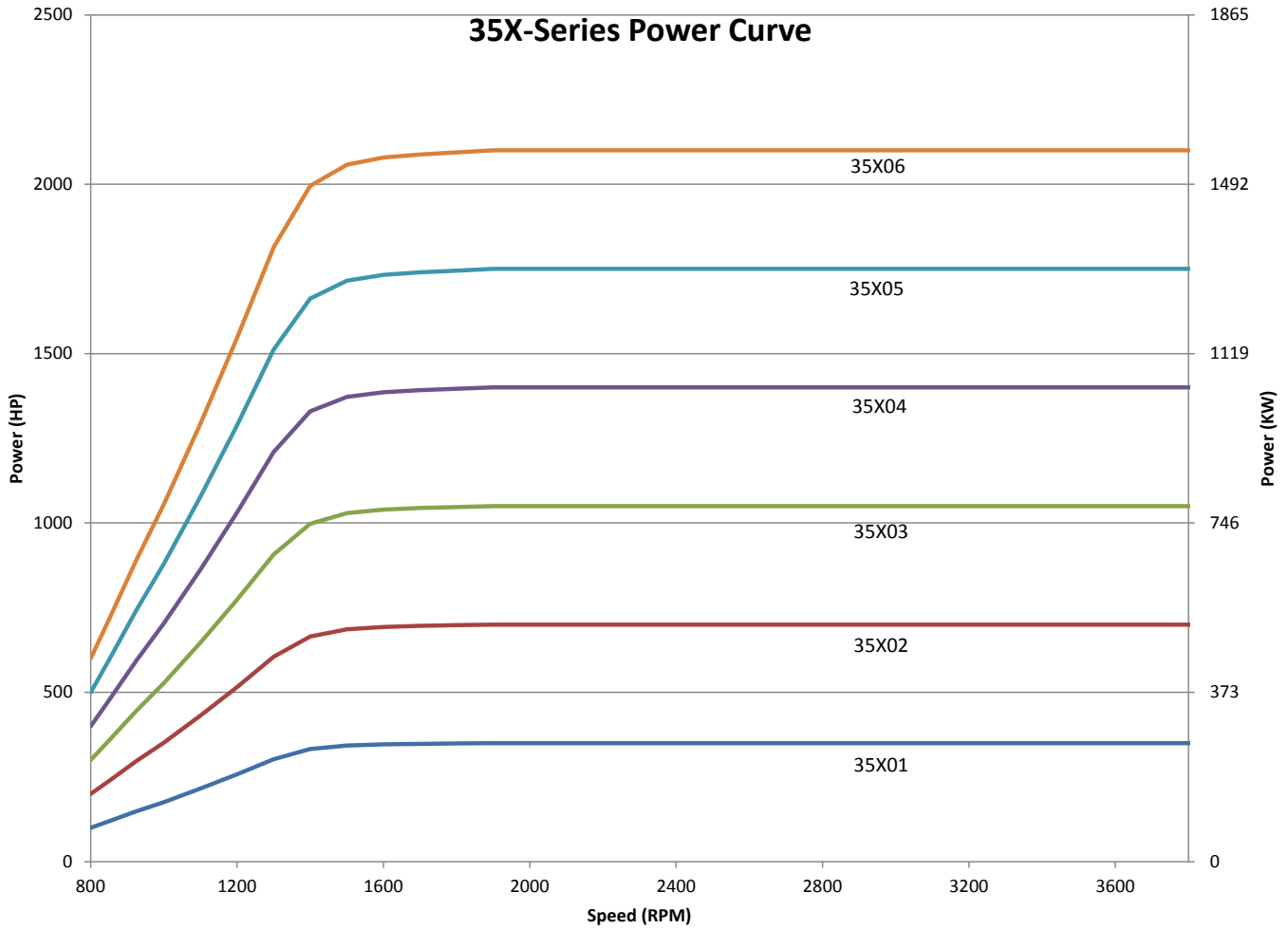
Description	Part #	Dimensions (inches)										Weight (lbs)	Inertia (lb-ft ²)
		A	B	C	D	E	F	G	H	I	J		
35X01 Water Brake	72030.01	39 1/2	21	22 3/4								1,440	33.4
35X02 Water Brake	72030.02	42 1/2	24	25 3/4								1,710	65.8
35X03 Water Brake	72030.03	45 1/2	27	28 3/4	12 1/2	15	19	31 1/2	10 1/8	20 1/4	22	1,980	98.1
35X04 Water Brake	72030.04	48 1/2	30	31 3/4								2,260	130.4
35X05 Water Brake	72040.05	51 1/2	33	34 3/4								2,540	162.8
36X06 Water Brake	72040.06	54 1/2	36	37 3/4								2,810	195

Description	Part #	Dimensions (cm)										Weight (kg)	Inertia (kg m ²)
		A	B	C	D	E	F	G	H	I	J		
35X01 Water Brake	72030.01	100.3	53.3	57.8								653	1.41
35X02 Water Brake	72030.02	108	61	65.4								776	2.78
35X03 Water Brake	72030.03	115.6	68.6	73	31.8	38.1	48.3	80	25.7	51.4	55.9	899	4.14
35X04 Water Brake	72030.04	123.2	76.2	80.7								1,026	5.50
35X05 Water Brake	72040.05	130.8	83.8	88.3								1,153	6.87
36X06 Water Brake	72040.06	138.4	91.4	96								1,275	8.23



N60 W22700 Silver Spring Drive • Sussex, WI 53089 USA
 phone: (262) 252-4301 • fax: (262) 246-0436
www.pwrst.com

Water Brake Engine Dynamometers - 35X-Series

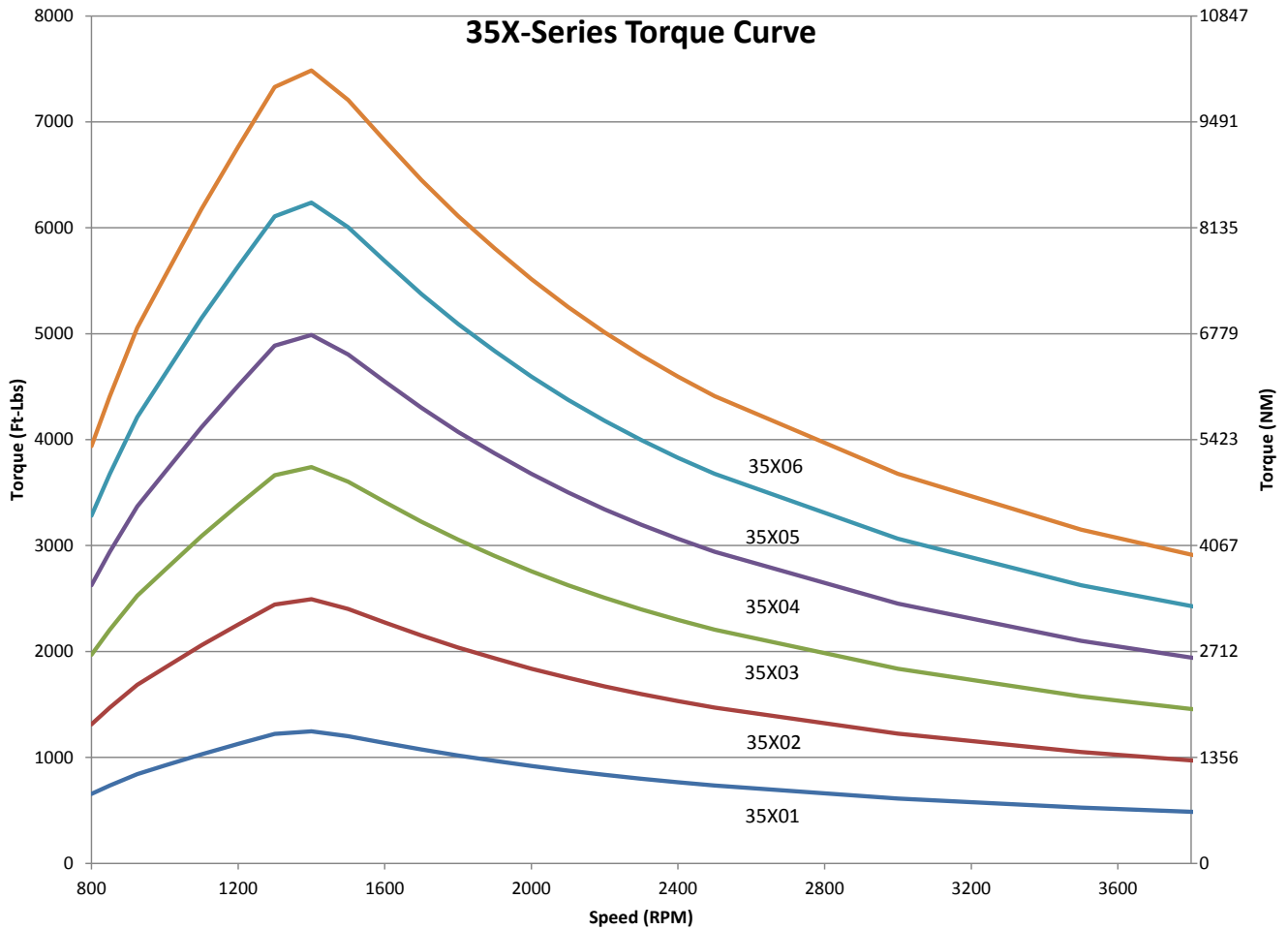


RPM	Power - HP (KW)					
	35X01	35X02	35X03	35X04	35X05	35X06
800	100 (75)	200 (149)	300 (224)	400 (298)	500 (373)	600 (447)
1,000	176 (131)	351 (262)	527 (393)	703 (524)	879 (655)	1,054 (786)
1,200	258 (192)	515 (384)	773 (576)	1,030 (768)	1,288 (960)	1,546 (1,153)
1,500	343 (256)	686 (512)	1,029 (767)	1,372 (1,023)	1,715 (1,279)	2,058 (1,535)
2,000	350 (261)	700 (522)	1,050 (783)	1,400 (1,044)	1,750 (1,305)	2,100 (1,566)
2,500	350 (261)	700 (522)	1,050 (783)	1,400 (1,044)	1,750 (1,305)	2,100 (1,566)
3,000	350 (261)	700 (522)	1,050 (783)	1,400 (1,044)	1,750 (1,305)	2,100 (1,566)
3,500	350 (261)	700 (522)	1,050 (783)	1,400 (1,044)	1,750 (1,305)	2,100 (1,566)
4,000	350 (261)	700 (522)	1,050 (783)	1,400 (1,044)	1,750 (1,305)	2,100 (1,566)



N60 W22700 Silver Spring Drive • Sussex, WI 53089 USA
 phone: (262) 252-4301 • fax: (262) 246-0436
www.pwrst.com

Water Brake Engine Dynamometers - 35X-Series



RPM	Torque - Lb-Ft (NM)					
	35X01	35X02	35X03	35X04	35X05	35X06
800	657 (890)	1,313 (1,780)	1,970 (2,670)	2,626 (3,560)	3,283 (4,450)	3,939 (5341)
1,000	923 (1,251)	1,846 (2,520)	2,768 (3,753)	3,691 (5,004)	4,614 (6,256)	5,537 (7,507)
1,200	1,127 (1,529)	2,255 (3,057)	3,382 (4,586)	4,510 (6,114)	5,637 (7,643)	6,765 (9,172)
1,500	1,201 (1,628)	2,402 (3,257)	3,603 (4,885)	4,804 (6,513)	6,005 (8,141)	7,206 (9,770)
2,000	919 (1,246)	1,838 (2,492)	2,757 (3,738)	3,676 (4,985)	4,596 (6,231)	5,515 (7,477)
2,500	735 (997)	1,471 (1,994)	2,206 (2,991)	2,941 (3,988)	3,676 (4,985)	4,412 (5,981)
3,000	613 (831)	1,225 (1,662)	1,838 (2,492)	2,451 (3,323)	3,064 (4,154)	3,676 (4,985)
3,500	525 (712)	1,050 (1,424)	1,576 (2,136)	2,101 (2,848)	2,626 (3,560)	3,151 (4,272)
4,000	460 (623)	919 (1,246)	1,379 (1,869)	1,838 (2,492)	2,298 (3,115)	2,757 (3,738)

Power Test, Inc. manufactures a wide range of standard and custom water brake engine dynamometers. For absorption characteristics other than the model shown, please contact your Power Test representative.



N60 W22700 Silver Spring Drive • Sussex, WI 53089 USA
 phone: (262) 252-4301 • fax: (262) 246-0436
www.pwrtst.com

При намерении купить гидротормоз для стенда испытания двигателей, обращайтесь по т/ф в Москве 8 495 308 9060 официальный дилер в РФ компания Промтекс