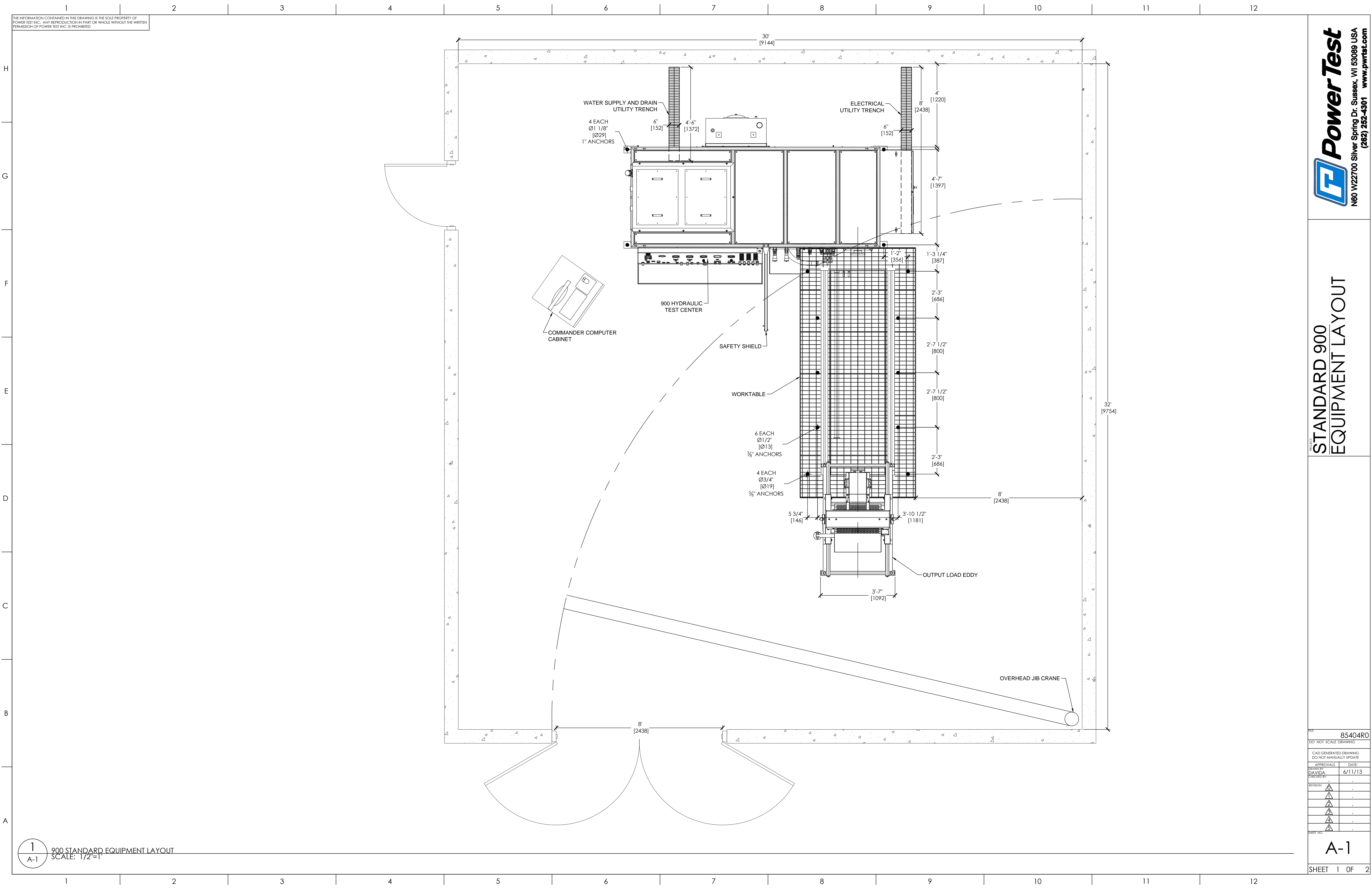


THE INFORMATION CONTAINED IN THIS DRAWING IS THE SOLE PROPERTY OF POWER TEST INC. ANY REPRODUCTION IN PART OR WHOLE WITHOUT THE WRITTEN PERMISSION OF POWER TEST INC. IS PROHIBITED.

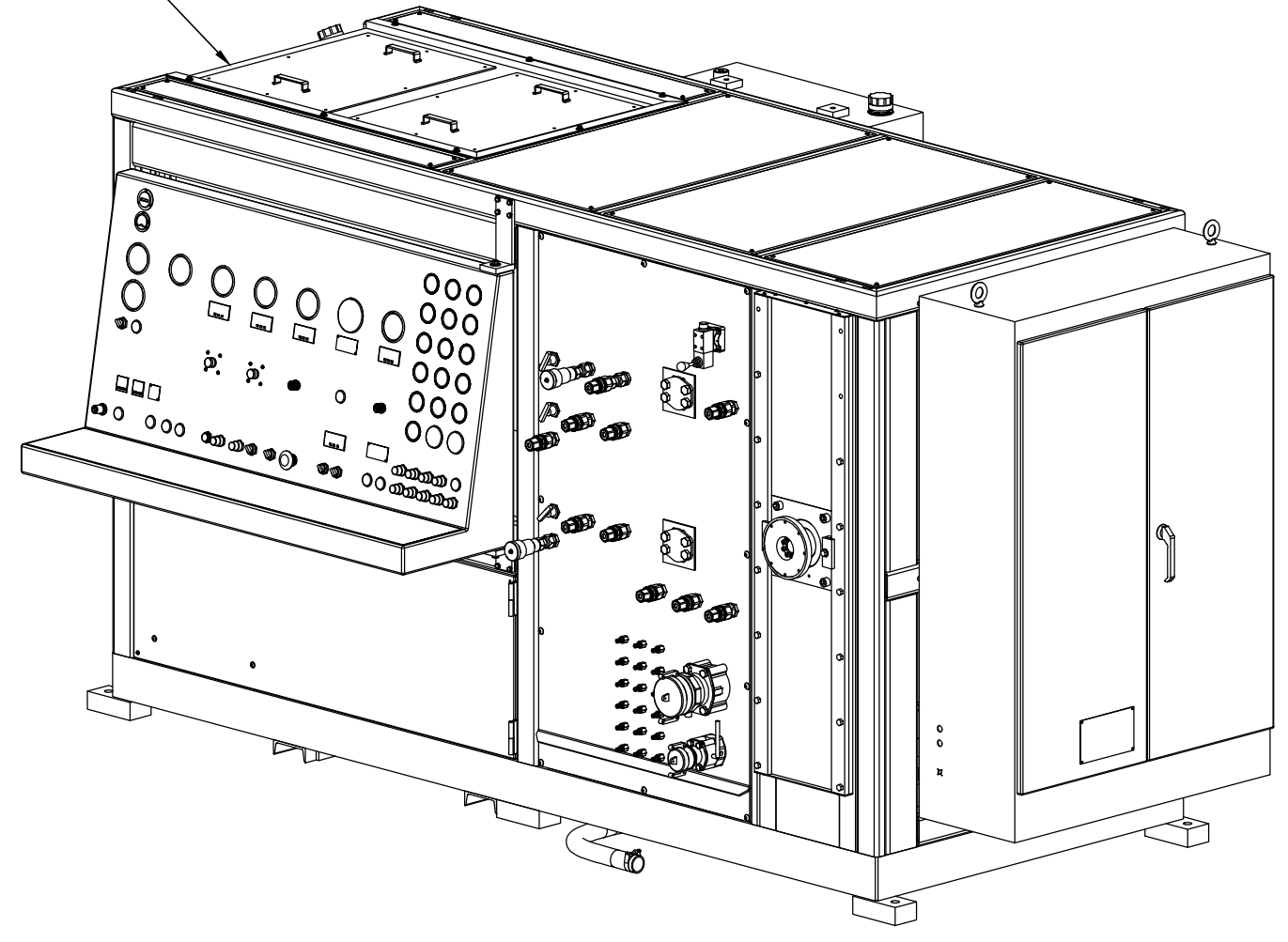


STANDARD 900
 EQUIPMENT LAYOUT

PROJECT:	85404R0
DO NOT SCALE DRAWING	
CAD GENERATED DRAWING	DO NOT MANUALLY UPDATE
APPROVALS	DATE
DRAWN BY: DAVIDA	6/11/13
REVISION:	
▲	
▲	
▲	
▲	
SHEET NO.:	

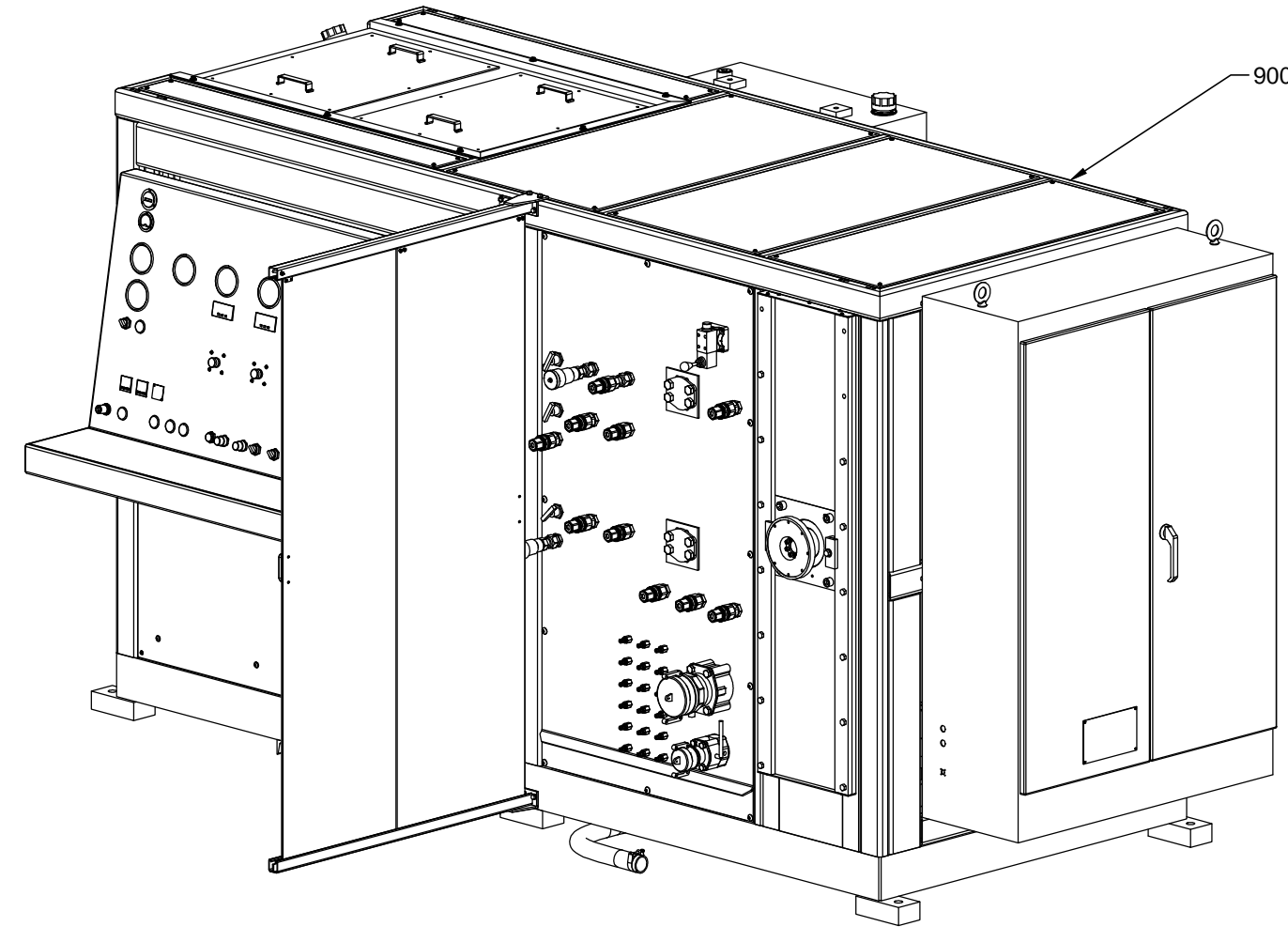
1
 A-1 900 STANDARD EQUIPMENT LAYOUT
 SCALE: 1/2" = 1'

900 HYDRAULIC TEST CENTER



900 HYDRAULIC TEST CENTER

OUTPUT LOAD UNIT



V-RAIL EXTENSION MOUNT

