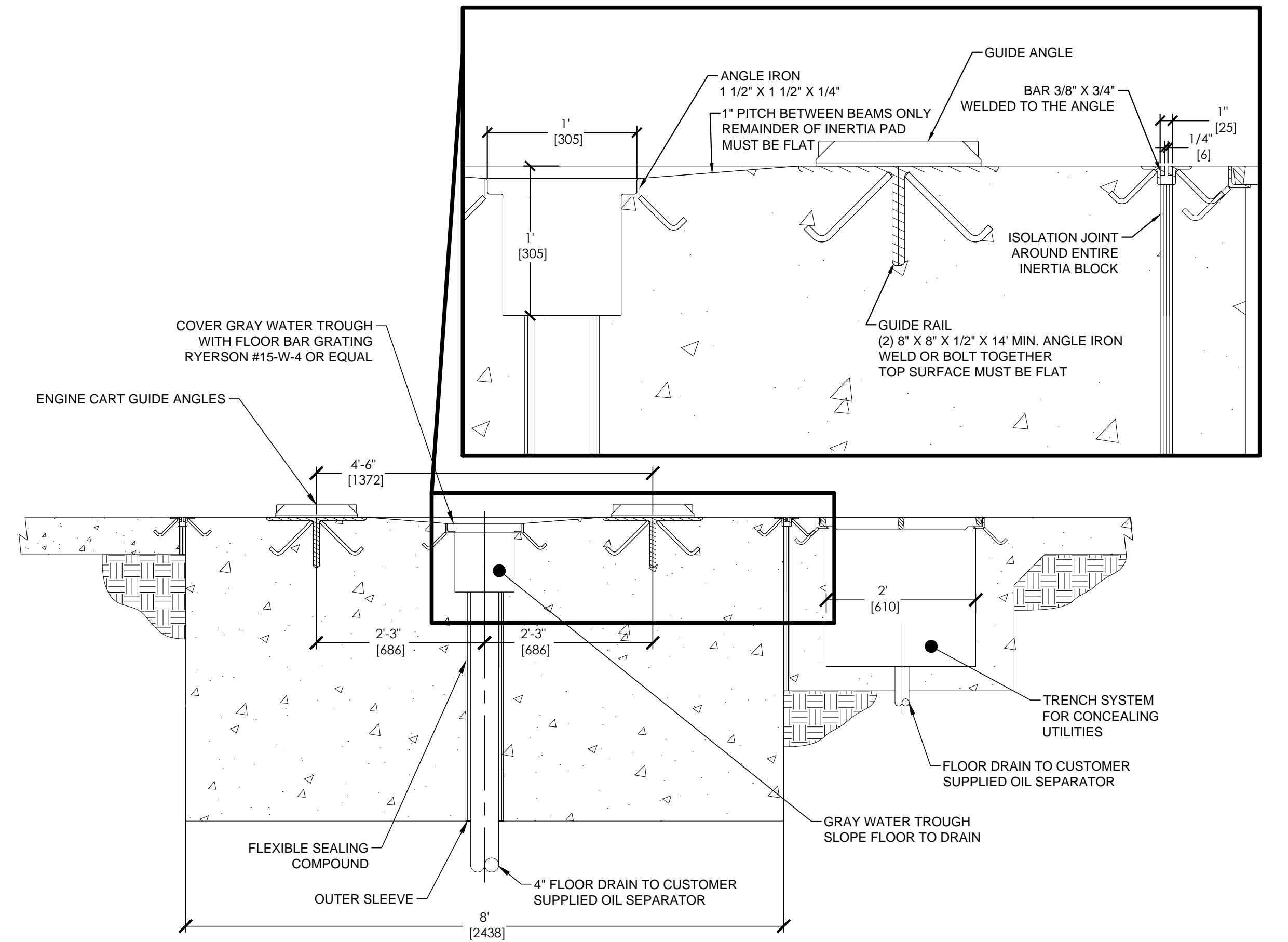




THE INFORMATION CONTAINED IN THIS DRAWING IS THE SOLE PROPERTY OF POWER TEST INC. ANY REPRODUCTION IN PART OR WHOLE WITHOUT THE WRITTEN PERMISSION OF POWER TEST INC. IS PROHIBITED.

NOTES:

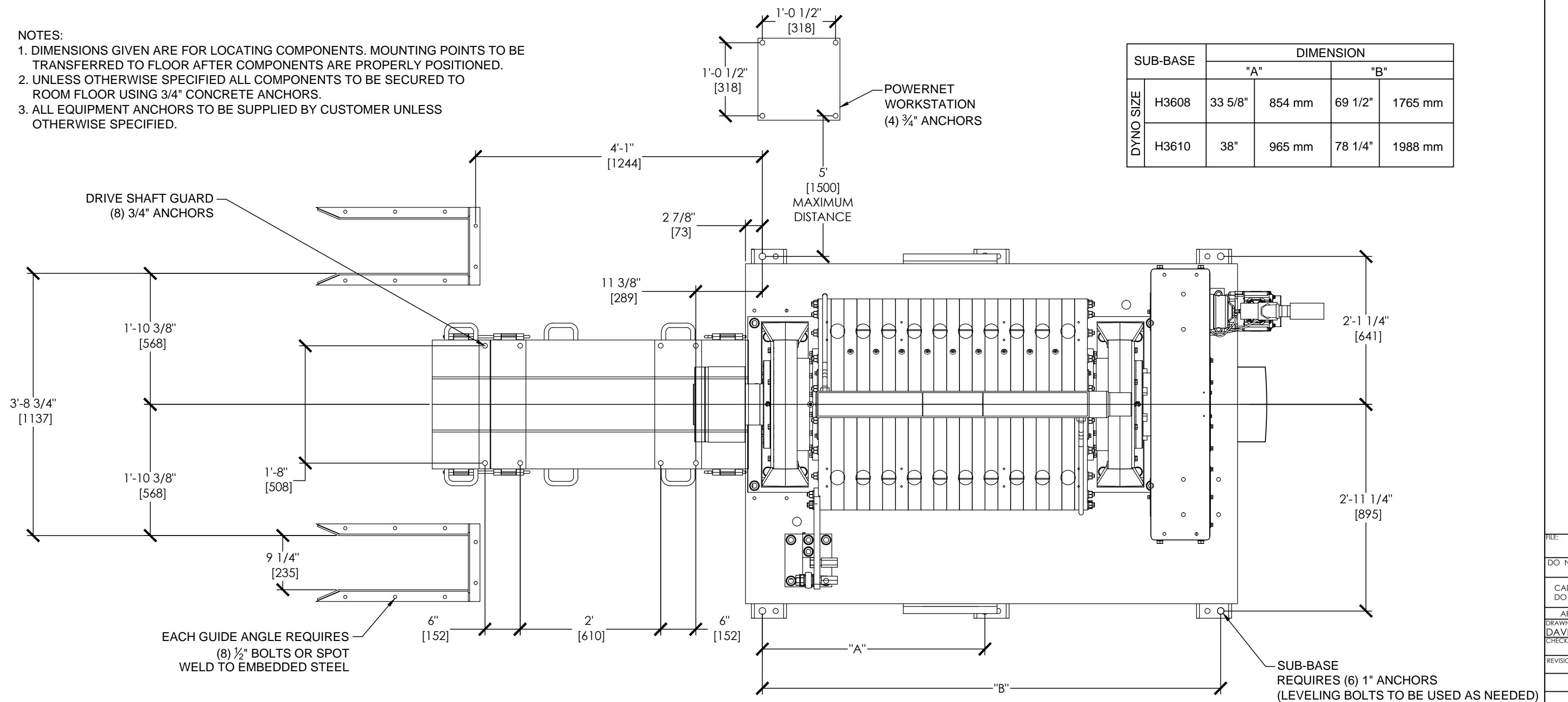
1. THIS IS ONLY A SUGGESTED ROOM LAYOUT. IF CONFLICTS ARISE BETWEEN THIS DRAWING AND LOCAL BUILDING CODES; THE BUILDING CODES MUST BE FOLLOWED.
2. THE DIMENSIONS SHOWN ON THIS DRAWING ARE SUBJECT TO CHANGE. CONSULT FACTORY TO VERIFY EXACT EQUIPMENT SPECIFICATIONS BEFORE CONSTRUCTION.
3. FIRE SUPPRESSION MUST BE CONSIDERED, CONSULT LOCAL BUILDING CODES.
4. TO ACCOMMODATE ENGINE COOLING COLUMN AND AFTER COOLING COLUMN; ALL LIGHTS, EXHAUST HOOD, AND OTHER OVERHEAD OBJECTS MUST BE A MINIMUM OF 8'-6" ABOVE THE FLOOR.
5. TO ACCOMMODATE OPTIONAL ENGINE EXHAUST HOOD; THE CEILING HEIGHT MUST BE A MINIMUM OF 16'-0" CLEAR.
6. IT MAY BE DESIRABLE TO LINE THE ENTIRE ROOM (WALLS & CEILING) WITH ACOUSTICAL INSULATION FOR NOISE ABATEMENT. THE ACOUSTICAL MATERIAL SHOULD BE FIRE, FUEL & MOISTURE RESISTANT.
7. ALL ENTRY DOORS SHOULD BE OF AN INSULATED GASKETED TYPE.
8. CONSULT FACTORY FOR ASSISTANCE WITH CALCULATING WATER, AIR, FUEL, EXHAUST AND ELECTRICAL REQUIREMENTS.
9. ALL CONCRETE TO BE 4000 PSI UNLESS OTHERWISE SPECIFIED.



1 H36 STANDARD INERTIA PAD SECTION VIEW  
A-2 SCALE: 3/4"=1'

NOTES:

1. DIMENSIONS GIVEN ARE FOR LOCATING COMPONENTS. MOUNTING POINTS TO BE TRANSFERRED TO FLOOR AFTER COMPONENTS ARE PROPERLY POSITIONED.
2. UNLESS OTHERWISE SPECIFIED ALL COMPONENTS TO BE SECURED TO ROOM FLOOR USING 3/4" CONCRETE ANCHORS.
3. ALL EQUIPMENT ANCHORS TO BE SUPPLIED BY CUSTOMER UNLESS OTHERWISE SPECIFIED.



2 H36 STANDARD DIMENSIONAL INSTALLATION DETAIL  
A-2 SCALE: 3/4"=1'

REV	85004R0
DO NOT SCALE DRAWING	
CAD GENERATED DRAWING	DO NOT MANUALLY UPDATE
APPROVALS	DATE
DRAWN BY: DAVIDA	6/5/13
REVISION	
1	
2	
3	
4	
5	
6	
7	
8	
9	
10	
11	
12	