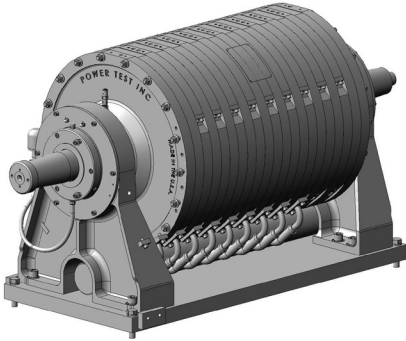


# Water Brake Engine Dynamometers - 45X-Series

---



73383.10 45X10 Water Brake Engine Dynamometer Shown

## Overview

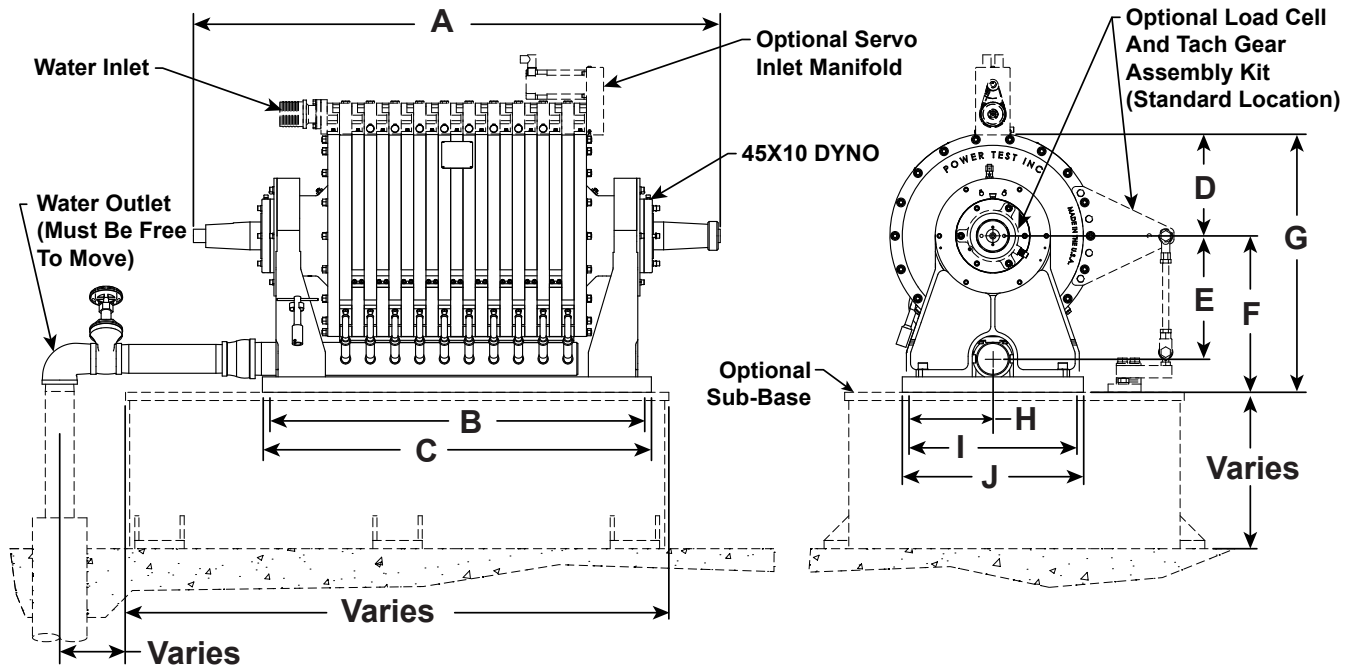
Power Test 45X-Series Water Brake Engine Dynamometers are designed for testing mining, marine, construction, power generation and on-highway applications from 200 HP to 4,500 HP at speeds up to 4,000 RPM.

The 45X-Series Water Brake Engine Dynamometers feature:

- The ability to test a wide range of engine displacements on the same dynamometer.
- Low-inertia and high absorption characteristics in a compact package.
- Through-shaft design allows either end of the dynamometer to be driven and to accept additional dynamometers plus a variety of accessories including starting systems.
- Inlet control allows for low minimum horsepower.
- Low minimum loading characteristics.
- Equal absorption capabilities in either direction of rotation.
- Positive lip absorber seals.
- Removable bearing and seal housings to facilitate field servicing without the need for disassembly of the absorber.
- Equipped with grease-lubricated high-speed bearings.

These trunnion-mounted, fixed-base Water Brake Engine Dynamometers may be used for continuous-duty engine power verification, quality assurance, endurance, and certification testing.

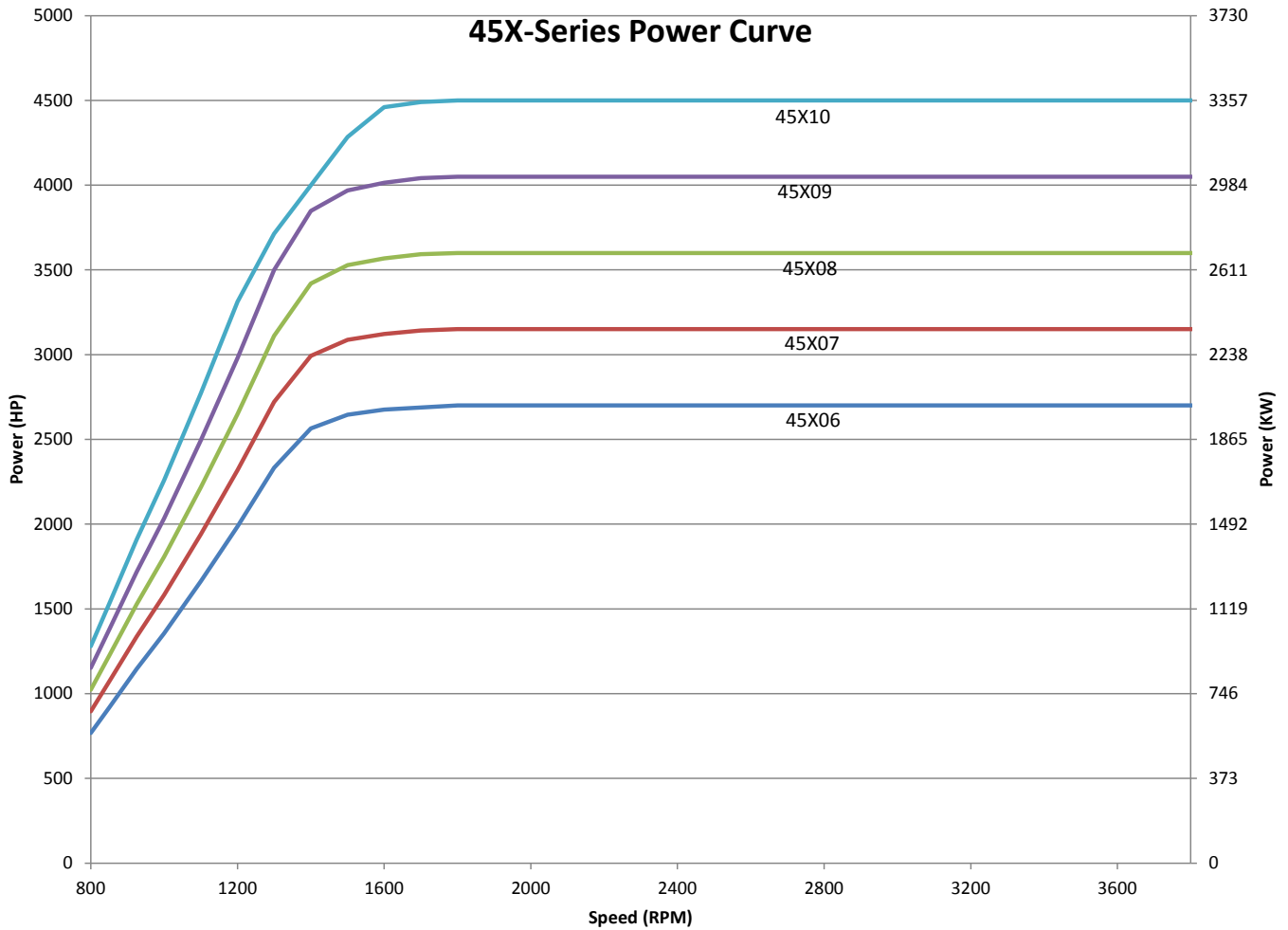
# Water Brake Engine Dynamometers - 45X-Series



Description	Part #	Dimensions (inches)										Weight (lbs)	Inertia (lb-ft <sup>2</sup> )	
		A	B	C	D	E	F	G	H	I	J			
45X06 Water Brake	73383.06	52	32 1/2	35 1/4									2,690	195.4
45X07 Water Brake	73383.07	55	35 1/2	38 1/4									2,960	227.8
45X08 Water Brake	73383.08	58	38 1/2	41 1/4	12 1/2	15	19	31 1/2	10 1/8	20 1/4	22		3,230	260.1
45X09 Water Brake	73383.09	61	41 1/2	44 1/4									3,500	292.4
45X10 Water Brake	73383.10	64	44 1/2	47 1/4									3,770	324.7

Description	Part #	Dimensions (cm)										Weight (kg)	Inertia (kg m <sup>2</sup> )	
		A	B	C	D	E	F	G	H	I	J			
45X06 Water Brake	73383.06	132.1	82.6	89.5									1,220	8.23
45X07 Water Brake	73383.07	139.7	90.2	97.2									1,343	9.60
45X08 Water Brake	73383.08	147.3	97.8	104.8	31.8	38.1	48.3	80	25.7	51.4	55.9		1,465	10.95
45X09 Water Brake	73383.09	155	105.4	112.4									1,588	12.31
45X10 Water Brake	73383.10	162.6	113	120									1,710	13.67

# Water Brake Engine Dynamometers - 45X-Series

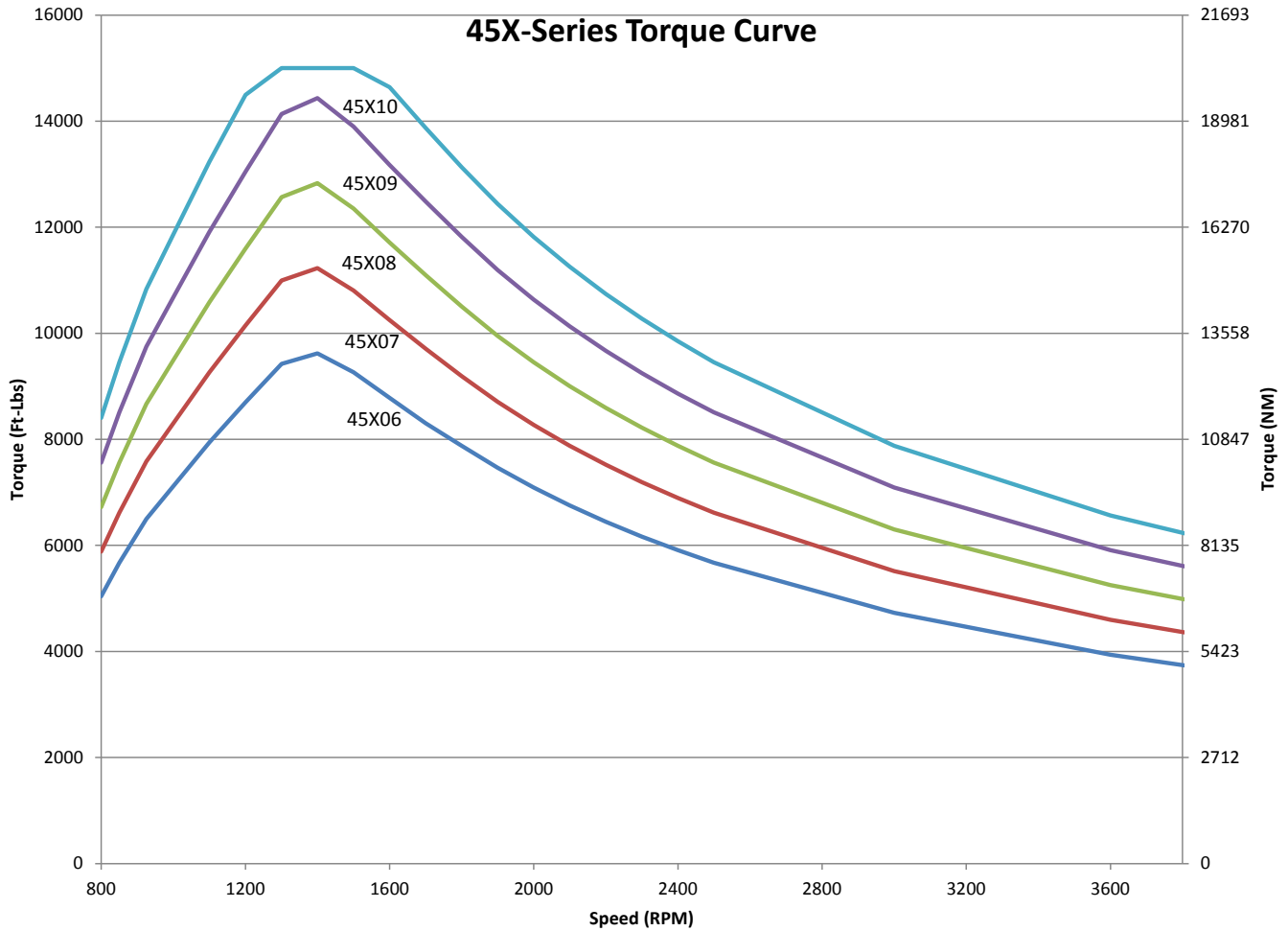


RPM	Power - HP (KW)				
	45X06	45X07	45X08	45X09	45X10
800	768 (573)	896 (668)	1,024 (764)	1,152 (859)	1,280 (955)
1,000	1,355 (1,011)	1,581 (1,180)	1,807 (1,348)	2,033 (1,517)	2,259 (1,685)
1,200	1,987 (1,482)	2,318 (1,730)	2,650 (1,977)	2,981 (2,224)	3,312 (2,471)
1,500	2,646 (1,974)	3,087 (2,303)	3,528 (2,632)	3,969 (2,961)	4,284 (3,196)
2,000	2,700 (2,014)	3,150 (2,350)	3,600 (2,686)	4,050 (3,021)	4,500 (3,357)
2,500	2,700 (2,014)	3,150 (2,350)	3,600 (2,686)	4,050 (3,021)	4,500 (3,357)
3,000	2,700 (2,014)	3,150 (2,350)	3,600 (2,686)	4,050 (3,021)	4,500 (3,357)
3,500	2,700 (2,014)	3,150 (2,350)	3,600 (2,686)	4,050 (3,021)	4,500 (3,357)
4,000	2,700 (2,014)	3,150 (2,350)	3,600 (2,686)	4,050 (3,021)	4,500 (3,357)



N60 W22700 Silver Spring Drive • Sussex, WI 53089 USA  
 phone: (262) 252-4301 • fax: (262) 246-0436  
[www.pwrst.com](http://www.pwrst.com)

# Water Brake Engine Dynamometers - 45X-Series



RPM	Torque - Lb-Ft (NM)				
	45X06	45X07	45X08	45X09	45X10
800	5,042 (6,836)	5,882 (7,975)	6,723 (9,114)	7,563 (10,254)	8,403 (11,393)
1,000	7,119 (9,651)	8,305 (11,260)	9,491 (12,868)	10,678 (14,447)	11,864 (16,086)
1,200	8,697 (11,792)	10,147 (13,757)	11,596 (15,722)	13,046 (17,688)	14,496 (19,653)
1,500	9,265 (12,561)	10,809 (14,654)	12,353 (16,748)	13,897 (18,841)	15,000 (20,337)
2,000	7,090 (9,631)	8,272 (11,215)	9,454 (12,817)	10,635 (14,419)	11,817 (16,021)
2,500	5,672 (7,690)	6,618 (8,972)	7,563 (10,254)	8,508 (11,535)	9,454 (12,817)
3,000	4,727 (6,409)	5,515 (7,477)	6,302 (8,545)	7,090 (9,613)	7,878 (10,681)
3,500	3,939 (5,340)	4,596 (6,231)	5,252 (7,121)	5,909 (8,011)	6,565 (8,901)
4,000	3,545 (4,806)	4,135 (5,606)	4,727 (6,409)	5,318 (7,210)	5,909 (8,011)

Power Test, Inc. manufactures a wide range of standard and custom water brake engine dynamometers. For absorption characteristics other than the model shown, please contact your Power Test representative.



N60 W22700 Silver Spring Drive • Sussex, WI 53089 USA  
 phone: (262) 252-4301 • fax: (262) 246-0436  
[www.pwrtst.com](http://www.pwrtst.com)