

PowerNet-LT Base Package



63249.1 - PowerNet Commander PC System Shown

Overview

Power Test PowerNet-LT is a complete data acquisition and control package for dynamometers and engines. When used with a dynamometer, LT transforms a specially designed interface box and a standard computer into a highly efficient engine development and qualification tool.

PowerNet-LT features:

- Manual, Set Point, and Automated control methods of torque, power, and engine speed
- Robust, non-proprietary, industrial data acquisition and control hardware
- Display, record, save and print torque, power, speed, temperatures, pressures, a variety of optional sensor inputs, plus calculated channels
- Easy to configure displays, reports, and automated patterns
- All channels easily configured for sensor name, units, and alarm values using pull-down menus.
- System includes: LT Controller Enclosure, Pressure Sensor Enclosure, PowerNet Commander PC w/ flat screen monitor, keyboard, mouse, printer, sensors for channels ordered and all connections.

Power Test PowerNet LT system includes four (4) temperature sensors for engine, oil, fuel, and air; and two (2) oil and fuel pressure sensors. Information from these sensors and the torque, rpm and power measurements from the dynamometer are automatically recorded to the Commander computer's hard drive



Note

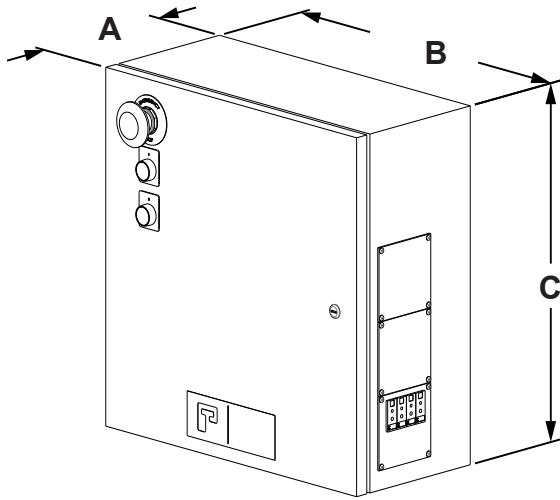
Temperature inputs expandable to 16 channels, pressure inputs expandable to 8 channels.

Description	Part #	Voltage (VAC)	Amperage	Weight (lbs)
PNET LT SYS 4T / 2P wo/SERVO AMP wo/ECM	63613	110 / 220	10A / 5A	-

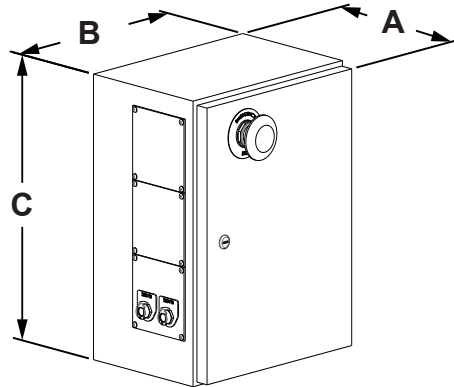


N60 W22700 Silver Spring Drive • Sussex, WI 53089 USA
 phone: (262) 252-4301 • fax: (262) 246-0436
www.powertestdyno.com

PowerNet LT System



1010764 - PowerNet LT Control Box



44692 - PowerNet LT Sensor Mounting Box

Description	Part #	Dimensions inches (mm)			Voltage (VAC)	Amperage	Weight lbs (kg)
		A	B	C			
PowerNet PC System w/Monitor	63249.1	11 (280)	18 3/4 (476)	21 5/16 (542)	110 / 220	3A / 1.5A	32 (14.5)
Commander Software - PNET LT	23545	-	-	-	-	-	-
Color Printer	C-00307	12 (304)	15 1/2 (394)	9 (225)	*110	5A	5 (2.3)
Surge Suppressor	11915	3 1/2 (89)	6 (152)	2 1/2 (64)	110 / 220	-	3 (1.5)
PNET LT Control Box-Hi Res-No Press	1010764	9 (229)	20 (508)	20 (508)	110 / 220	1.7A / .9A	31 (14)
Sensor Mounting Box	44692	9 (229)	12 (304)	16 (406)	-	-	23 (10)

* Supplied voltage convertor **MUST** be used when connecting to 220 VAC supply power.

