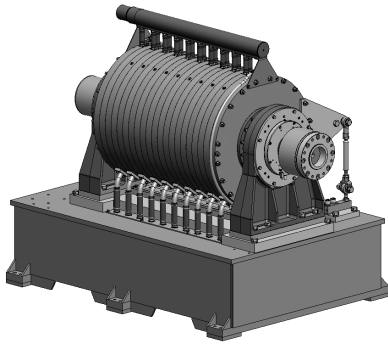


# Water Brake Engine Dynamometers - H36-Series

---



73261.10 H3610 Water Brake Engine Dynamometer Shown

## Overview

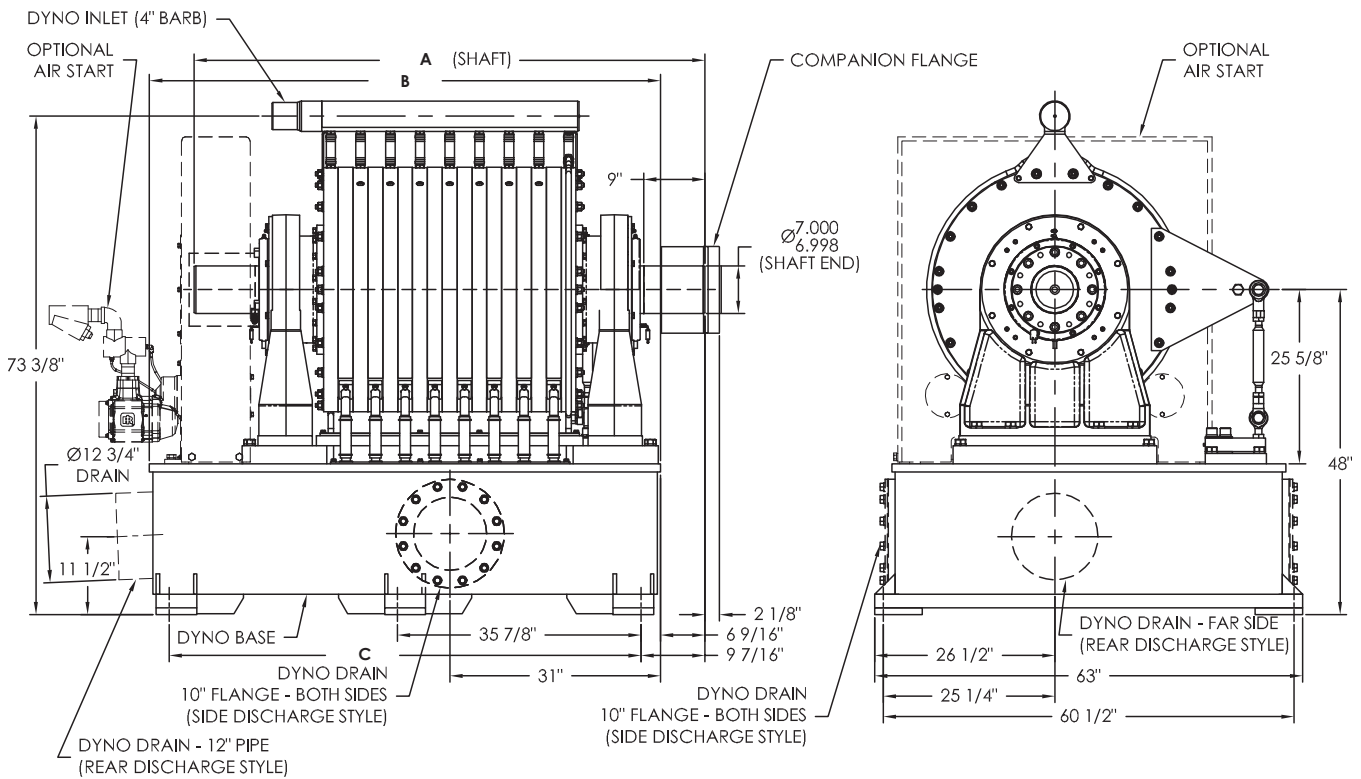
Power Test H36-Series Water Brake Engine Dynamometers are designed for testing high torque, low speed diesel engines in the mining, marine, construction, power generation and marine propulsion industries. Application power ranges through 10,000 HP (7,457 Kw) at speeds up to 2,500 RPM and torque up to 50,000 Lb-ft. (67,791 NM).

The H36-Series Water Brake Engine Dynamometers feature:

- The ability to test a wide range of engine displacements on the same dynamometer
- Low-inertia and high absorption characteristics in a compact package
- Includes torque sensor with linkage and speed sensor with gear assembly
- Through-shaft design allows either end of the dynamometer to be driven or to accept tandem dynamometers plus a variety of accessories including starting systems
- Includes 315 series drive shaft companion flange
- Low minimum loading characteristics
- Fabricated steel Sub-base with 48" (122cm) dynamometer centerline (other centerline heights available upon request)
- Water drainage intergral into sub-base with your choice of side or rear water discharge
- Provides bidirectional equal absorption capabilities

These trunnion-mounted, fixed-base Water Brake Engine Dynamometers may be used for continuous-duty engine power verification, quality assurance, endurance, and certification testing.

# Water Brake Engine Dynamometers - H36-Series



## Note

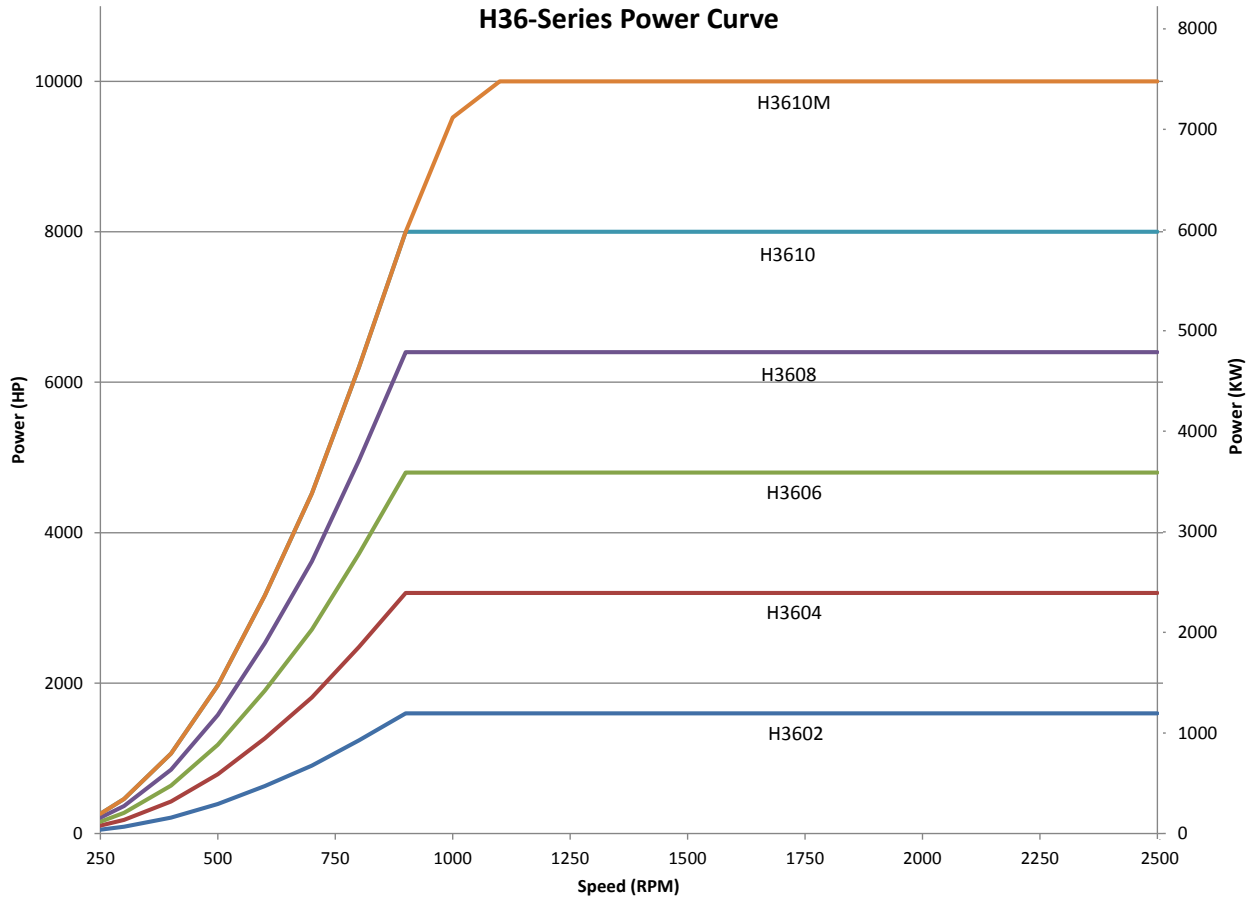
Dimensions are based on a 48" (122 cm) dynamometer centerline height, some dimensions change if a unique centerline height (available upon request) is ordered.

Description	Part #	Dimensions (inches)			Weight (lbs)	Inertia (lb-ft <sup>2</sup> )
		A	B	C		
H3602 Water Brake - Rear Discharge	73261.02	56 1/4	49	43 1/4	8,750	411
H3602 Water Brake - Side Discharge	73285.02					
H3604 Water Brake - Rear Discharge	73261.04	62 7/8	57 3/4	52	10,500	799
H3604 Water Brake - Side Discharge	73285.04					
H3606 Water Brake - Rear Discharge	73261.06	69 1/2	66 1/2	60 3/4	12,250	1,187
H3606 Water Brake - Side Discharge	73285.06					
H3608 Water Brake - Rear Discharge	73261.08	76 1/8	75 1/4	69 1/2	14,000	1,575
H3608 Water Brake - Side Discharge	73285.08					
H3610 Water Brake - Rear Discharge	73261.10	84 3/4	84	78 1/4	15,750	1,963
H3610 Water Brake - Side Discharge	73285.10					
H3610M Water Brake - Rear Discharge	73582.10	84 3/4	84	78 1/4	15,750	1,963
H3610M Water Brake - Side Discharge	73583.10					



N60 W22700 Silver Spring Drive • Sussex, WI 53089 USA  
 phone: (262) 252-4301 • fax: (262) 246-0436  
[www.pwrst.com](http://www.pwrst.com)

# Water Brake Engine Dynamometers - H36-Series

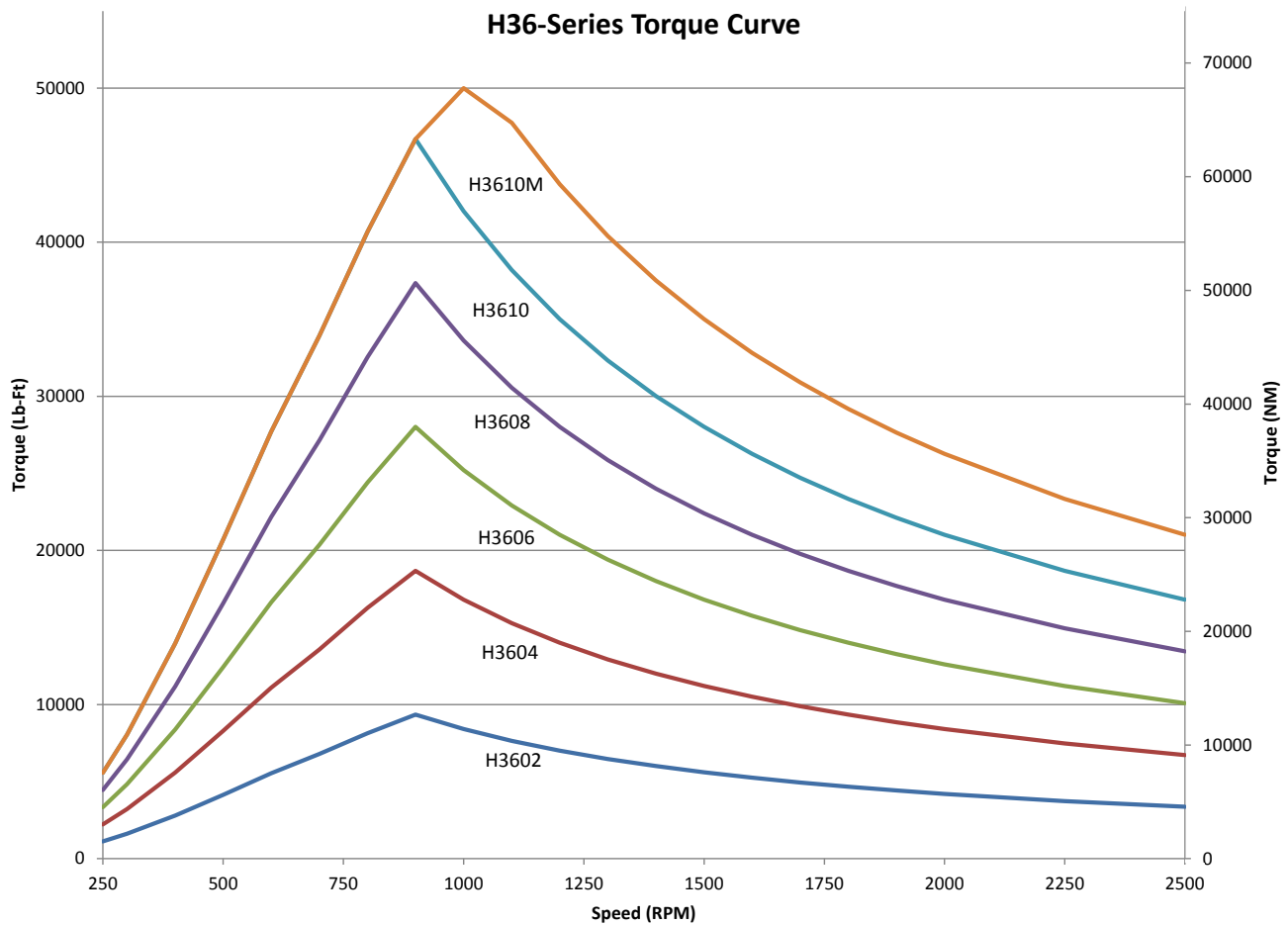


Power - HP (KW)						
RPM	H3602	H3604	H3606	H3608	H3610	H3610M
250	53 (40)	106 (79)	159 (119)	212 (158)	265 (198)	265 (198)
400	213 (159)	426 (318)	638 (476)	851 (635)	1,064 (794)	1,064 (794)
600	633 (472)	1,267 (945)	1,900 (1,417)	2,533 (1,890)	3,166 (2,362)	3,166 (2,362)
900	1,600 (1,194)	3,200 (2,387)	4,800 (3,581)	6,400 (4,774)	8,000 (5,968)	8,000 (5,968)
1,000	1,600 (1,194)	3,200 (2,387)	4,800 (3,581)	6,400 (4,774)	8,000 (5,968)	9,520 (7,102)
1,200	1,600 (1,194)	3,200 (2,387)	4,800 (3,581)	6,400 (4,774)	8,000 (5,968)	10,000 (7,457)
1,700	1,600 (1,194)	3,200 (2,387)	4,800 (3,581)	6,400 (4,774)	8,000 (5,968)	10,000 (7,457)
2,000	1,600 (1,194)	3,200 (2,387)	4,800 (3,581)	6,400 (4,774)	8,000 (5,968)	10,000 (7,457)
2,500	1,600 (1,194)	3,200 (2,387)	4,800 (3,581)	6,400 (4,774)	8,000 (5,968)	10,000 (7,457)



N60 W22700 Silver Spring Drive • Sussex, WI 53089 USA  
 phone: (262) 252-4301 • fax: (262) 246-0436  
[www.pwrtst.com](http://www.pwrtst.com)

# Water Brake Engine Dynamometers - H36-Series



Torque - Lb-Ft (NM)						
RPM	H3602	H3604	H3606	H3608	H3610	H3610M
250	1,113 (1,510)	2,227 (3,020)	3,340 (4,531)	4,454 (6,041)	5,567 (7,551)	5,567 (7,551)
400	2,797 (3,793)	5,593 (7,587)	8,377 (11,362)	11,174 (15,156)	13,970 (18,949)	13,970 (18,949)
600	5,541 (7,516)	11,090 (15,043)	16,631 (22,559)	22,172 (30,074)	27,713 (37,590)	27,713 (37,590)
900	9,337 (12,664)	18,674 (25,329)	28,011 (37,993)	37,348 (50,658)	46,684 (63,322)	46,684 (63,322)
1,000	8,403 (11,398)	16,806 (22,796)	25,210 (34,194)	33,613 (45,592)	41,016 (56,990)	50,000 (67,791)
1,200	7,003 (9,498)	14,005 (18,997)	21,008 (28,495)	28,011 (37,993)	35,013 (47,492)	43,767 (59,365)
1,700	4,943 (6,705)	9,886 (13,409)	14,829 (20,114)	19,772 (26,819)	24,715 (33,524)	30,894 (41,905)
2,000	4,202 (5,699)	8,403 (11,398)	12,605 (17,097)	16,806 (22,796)	21,008 (28,495)	26,260 (35,619)
2,500	3,361 (4,559)	6,723 (9,118)	10,084 (13,678)	13,445 (18,237)	16,806 (22,796)	21,008 (28,495)

Power Test, Inc. manufactures a wide range of standard and custom water brake engine dynamometers. For absorption characteristics other than the model shown, please contact your Power Test representative.



N60 W22700 Silver Spring Drive • Sussex, WI 53089 USA  
 phone: (262) 252-4301 • fax: (262) 246-0436  
[www.pwrtst.com](http://www.pwrtst.com)